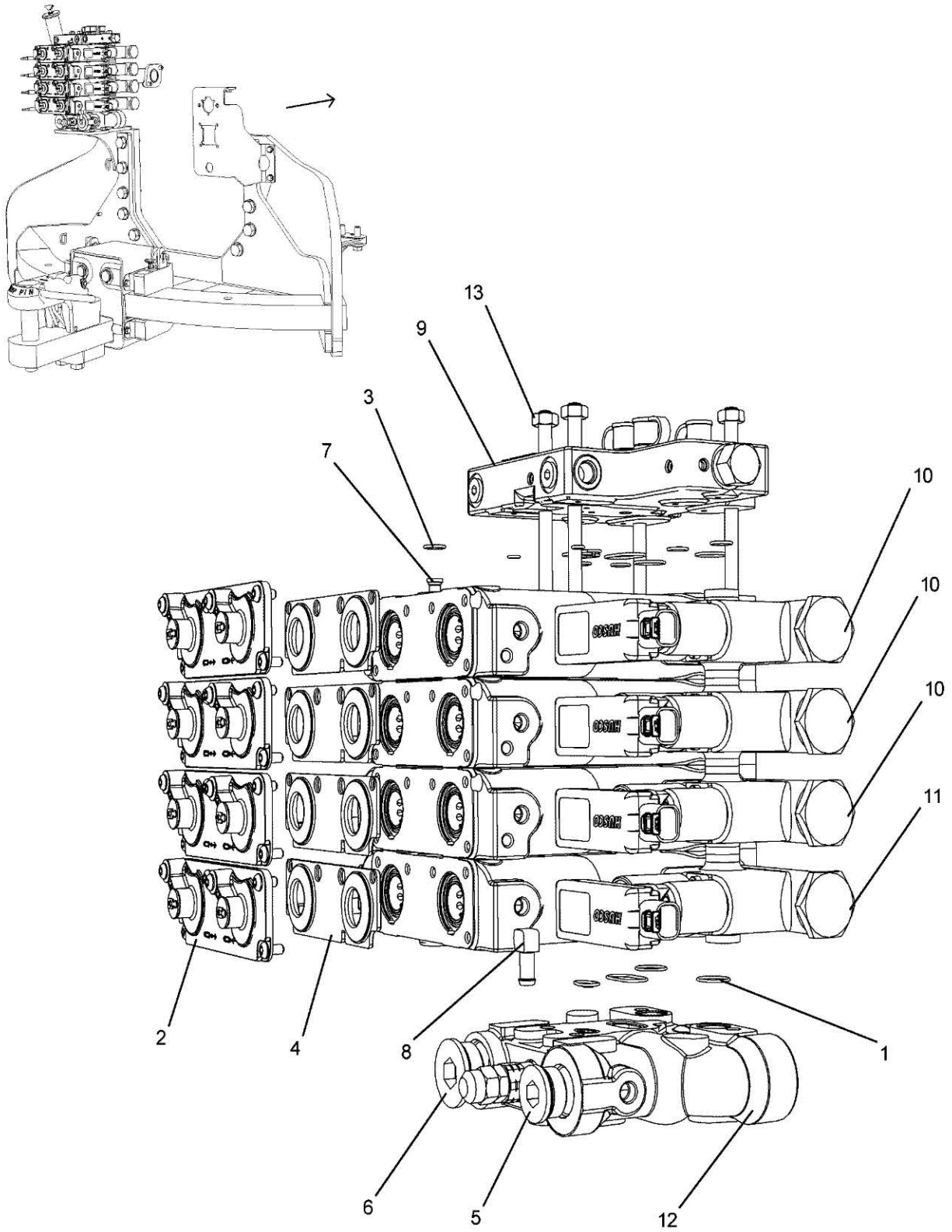


517867D1 - 4 BANK VALVE GROUP	08-0001
517868D1 - 5 BANK VALVE GROUP	08-0002
517869D1 - 6 BANK VALVE GROUP	08-0003
522100D1 - DUST COVER KIT, 1/2 COUPLER	08-0004
522104D1 - IMPLEMENT INLET VALVE ASSEMBLY	08-0005
522106D1 - REAR STACK END COVER	08-0006
517870D1 - 4 IMPLEMENT VALVE GROUP, WITH HITCH	08-0007
517871D1 - 5 IMPLEMENT VALVE GROUP, HITCH	08-0008
517873D1 - 4 BANK VALVE GROUP, 3/4 INCH COUPLER	08-0009
517875D1 - 6 BANK VALVE GROUP, 3/4 INCH COUPLER	08-0010
527315D1 - REDUCING VALVE KIT	08-0011
531195D1 - LS PLUG KIT	08-0012
522102D1 - VALVE GROUP, IMPLEMENT, STANDARD FLOW	08-0013
520811D1 - BRACKET ASSEMBLY, STRAIGHT, SHORT, 1.00 P-CLIP, REVERSED U	08-0014
522105D1 - HITCH LIFT VALVE ASSEMBLY	08-0015
522223D1 - IMPLEMENT VALVE GROUP, HF, TOP, MID, .075	08-0016
527309D1 - VALVE CONTROL SERVICE KIT	08-0017
527325D1 - VALVE CONTROL SERVICE KIT	08-0018
522226D1 - DUST COVER KIT, 3/4 COUPLER	08-0019
527345D1 - STANDARD COMPENSATOR SPRING KIT	08-0020
527365D1 - PROPORTIONAL SOLENOID KIT	08-0021
527366D1 - DIRECTIONAL SOLENOID KIT	08-0022
522242D1 - 4 IMPLEMENT VALVE COUPLER, WITH 3 POINT HITCH	08-0023
522243D1 - 5 IMPLEMENT VALVE COUPLER, WITH 3 POINT HITCH	08-0024
522387D1 - GUARD, 4 IMPLEMENT VALVES	08-0025
523277D1 - GUARD, 5 IMPLEMENT VALVES	08-0026
523278D1 - GUARD, 6 IMPLEMENT VALVES	08-0027
527370D1 - SECTION INTERFACE SEAL KIT	08-0028
524535D1 - 4 TO 5 IMPLEMENT VALVE CONVERSION KIT	08-0029
524536D1 - 5 TO 6 IMPLEMENT VALVE CONVERSION KIT	08-0030
524529D1 - 5 IMPLEMENT CONTROL GROUP USED TO CONVERT 4 IMPLEMENT VALVES TO 5 VALVES	08-0031
524530D1 - 6 IMPLEMENT CONTROL GROUP USED TO CONVERT 5 IMPLEMENT VALVES TO 6 VALVES	08-0032
524833D1 - IMPLEMENT LINES GROUP, 4 HITCH	08-0033
522103D1 - TOP AND MIDDLE 1/2 INCH IMPLEMENT VALVE ASSEMBLY PARTS ARE SUPPLIED IN KIT FORM ONLY	08-0034
524834D1 - IMPLEMENT LINES GROUP, 5 HITCH	08-0035
526310D1 - HYDRAULIC PUMP, TRIPLE	08-0036
527334D1 - COUPLER INTERFACE SEAL KIT	08-0037
527335D1 - COUPLER KIT, .050 INCH	08-0038
527338D1 - HANDLE KIT	08-0039
543028D1 - POPPET VALVE KIT	08-0040

543027D1 - POPPET VALVE KIT, HITCH	08-0041
526312D1 - RELIEF VALVE KIT APPLIES TO ALL TRACTORS WITH PUMP 505642D1.	08-0042
527337D1 - RELIEF VALVE KIT	08-0043
527323D1 - RELIEF VALVE KIT	08-0044
532449D1 - RELIEF VALVE KIT	08-0045
532042D1 - RELIEF VALVE SEAL KIT	08-0046
527324D1 - SECTION INTERFACE SEAL KIT	08-0047
527357D1 - TIE ROD KIT, 4 WITH HITCH	08-0048
544400D1 - 1/2 INCH COUPLER INTERFACE SEAL KIT PARTS ARE SUPPLIED IN KIT FORM ONLY	08-0049
527375D1 - BOTTOM STANDARD 1/2 INCH IMPLEMENT VALVE ASSEMBLY - WITHOUT 3 POINT HITCH	08-0050
527377D1 - BOTTOM HIGH FLOW 3/4 INCH IMPLEMENT VALVE ASSEMBLY	08-0051
532744D1 - 4 TO 6 HIGH FLOW VALVE CONVERSION KIT	08-0052
532745D1 - 5 AND 6 IMPLEMENT CONTROL KIT	08-0053
527333D1 - HIGH FLOW COMPENSATOR SPRING KIT	08-0054
532775D1 - 4 TO 5 IMPLEMENT VALVE CONVERSION, WITH 3 POINT HITCH	08-0055
527348D1 - COUPLER KIT, 3/4	08-0056
602444D1 - 3/4 INCH POWER BEYOND COUPLER GROUP	08-0057
527349D1 - 3/4 INCH COUPLER SEAL KIT	08-0058
544401D1 - 3/4 INCH COUPLER INTERFACE SEAL KIT	08-0059
527351D1 - 3/4 INCH BOTTOM IMPLEMENT VALVE CONVERSION KIT	08-0060
527352D1 - 3/4 INCH TOP AND MIDDLE IMPLEMENT VALVE CONVERSION KIT	08-0061
527344D1 - 1/2 INCH BOTTOM IMPLEMENT VALVE CONVERSION KIT	08-0062
530198D1 - REMOTE COUPLER VALVE ASSEMBLY	08-0063
533387D1 - THREADED COUPLER CONVERSION KIT	08-0064
527343D1 - 1/2 INCH TOP AND MIDDLE IMPLEMENT VALVE CONVERSION KIT	08-0065
546618D1 - HIGH FLOW VALVE BOTTOM WITH THREADED PORTS	08-0066
569510D1 - VALVE COVER GROUP	08-0067
569512D1 - VALVE COVER GROUP	08-0068
569518D1 - MALE COUPLER GROUP, VEP 15	08-0069
505637D1 - HYDRAULIC GEAR PUMP, 36CC	08-0070
520271D1 - HYDRAULIC PISTON PUMP, 85CC	08-0071
523899D1 - LOAD SHUTTLE BLOCKING VALVE ASSEMBLY	08-0072
520606D1 - PUMP CONTROL VALVE GROUP	08-0073
524028D1 - SOLENOID VALVE ASSEMBLY, NORMALLY OPEN	08-0074
538954D1 - CHECK VALVE ASSEMBLY - IMPLEMENT	08-0075
546602D1 - 4 BANK VALVE GROUP, HIGH FLOW, THREADED PORT	08-0076
546603D1 - 6 BANK VALVE GROUP, HIGH FLOW, THREADED PORT	08-0077
546604D1 - HIGH FLOW VALVE WITH THREADED PORTS	08-0078
546607D1 - HIGH FLOW STUCCHI 4 VALVE THREADED COUPLER GROUP	08-0079
564188D1 - HYDRAULIC FILTER GROUP - IMPLEMENT	08-0080

574235D1 - HYDRAULIC COOLER - LINES	08-0081
597020D1 - HYDRAULIC GROUP - OIL COOLER / HEAT EXCHANGER	08-0082
597020D1 - HYDRAULIC GROUP - OIL COOLER / HEAT EXCHANGER	08-0083
555516D1 - CASE DRAIN GROUP, FLAT FACE - DRAWBAR	08-0084
555517D1 - CASE DRAIN GROUP, PIONEER - DRAWBAR	08-0085
555518D1 - CASE DRAIN ARRANGEMENT, FLAT FACE, HITCH	08-0086
555519D1 - CASE DRAIN ARRANGEMENT, PIONEER, HITCH	08-0087
553811D1 - PLUG GROUP	08-0088
553814D1 - HYDRAULIC PLUMBING - PLUG	08-0089
553815D1 - HYDRAULIC OIL TANK - PLUG	08-0090
555515D1 - PLUG INSTALLATION WITHOUT IMPLEMENT CASE DRAIN	08-0091
560399D1 - HYDRAULIC PUMP - 126 CC	08-0092
564190D1 - COOLER LINES GROUP - IMPLEMENT	08-0093
564278D1 - TRANSMISSION LINES GROUP	08-0094
553585D1 - IMPLEMENT VALVE DRAIN LINES	08-0095
565514D1 - IMPLEMENT LINES GROUP, VALVE WITH HITCH	08-0096
565514D1 - IMPLEMENT LINES GROUP, VALVE WITH HITCH	08-0097
570898D1 - IMPLEMENT LINES GROUP - LINES	08-0098
570898D1 - IMPLEMENT LINES GROUP - LINES	08-0099
566108D1 - HYDRAULIC PISTON PUMP, 126CC	08-0100
570981D1 - PUMP GROUP, 85CC	08-0101
572492D1 - IMPLEMENT VALVE DRAIN LINES	08-0102
571287D1 - IMPLEMENT VALVE DRAIN LINES	08-0103
571286D1 - IMPLEMENT LINES GROUP - VALVE	08-0104
593662D1 - IMPLEMENT LINES GROUP - PTO	08-0105
593662D1 - IMPLEMENT LINES GROUP - PTO	08-0106
577774D1 - POWER BEYOND COUPLER INSTALLATION, NON CE - HITCH	08-0107
581962D1 - IMPLEMENT PUMP ASSEMBLY - LINES	08-0108
581962D1 - IMPLEMENT PUMP ASSEMBLY - LINES	08-0109
581962D1 - IMPLEMENT PUMP ASSEMBLY - LINES	08-0110
546608D1 - HIGH FLOW 6 VALVE THREADED COUPLER GROUP	08-0111
553812D1 - HYDRAULIC HEATER GROUP, 120 VOLTS	08-0112
553813D1 - HYDRAULIC HEATER GROUP, 240 VOLTS	08-0113
564116D1 - HYDRAULIC TANK GROUP	08-0114

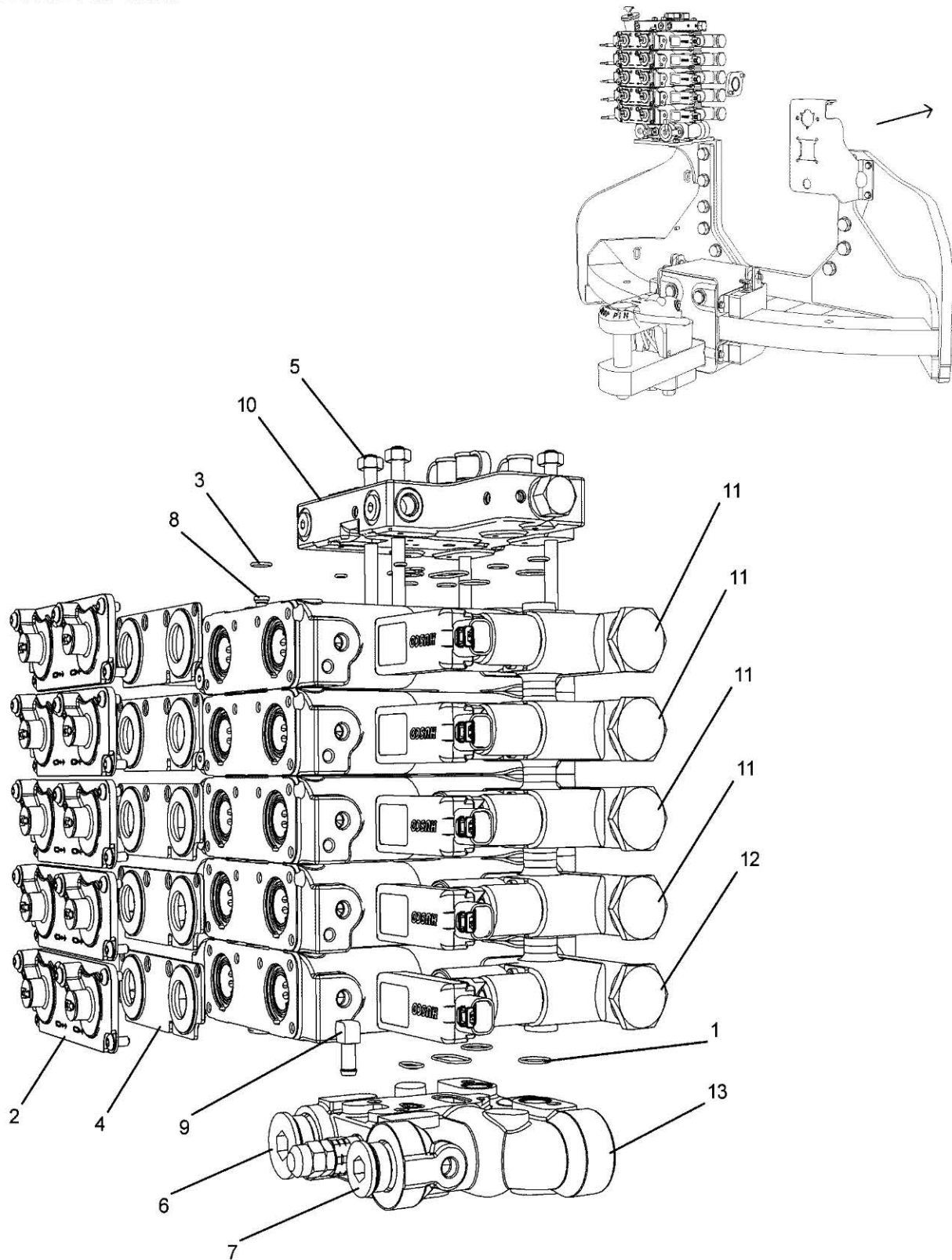
517867D1-03-W628



517867D1 - 4 BANK VALVE GROUP

ITEM	PART NUMBER	QTY	DESCRIPTION COMMENTS	TECHNICAL SPECIFICATION
1	527312D1	1	SEAL KIT PARTS ARE SUPPLIED ONLY IN KIT.	
2	522100D1	4	COVER KIT CAN BE PURCHASED AS A COMPLETE KIT OR DUST COVER CAN BE PURCHASED SEPARATELY. SEE PAGE 08-0004	1/2" COUPLER
	527373D1	1	DUST SEAL	1/2"
3	527367D1	1	SEAL KIT PARTS ARE SUPPLIED ONLY IN KIT.	
4	527373D1	1	DUST SEAL DUST COVER	1/2"
5	400370X1	1	HEX SOCKET HEAD PLUG	1-5/16"-12, -16 STOR
	400376X1	1	O-RING	29.74MM ID X 2.95MM
6	CH183-3902	1	PLUG	1 5/8"-12, 20 STOR
	CH183-2317	1	O-RING	
7	401929X1	1	HEX SOCKET HEAD PLUG	5/16"-24 MORB
	401928X1	1	O-RING	1/8"
8	401931X1	1	ELBOW FITTING BARBED	1/8" NPT X 3/8" BARB
9	522106D1	1	END COVER STACK SEE PAGE 08-0006	
10	522103D1	1	HYDRAULIC VALVE SEE PAGE 08-0034	1/2"
11	527375D1	1	VALVE KIT SEE PAGE 08-0050	
12	522104D1	1	HYDRAULIC VALVE SEE PAGE 08-0005	
	527363D1	1	SEAL KIT	
	531195D1	1	PLUG KIT	
	527317D1	1	VALVE SERVICE KIT	
13	527356D1	1	KIT, ROD SERVICED ONLY AS A KIT.	

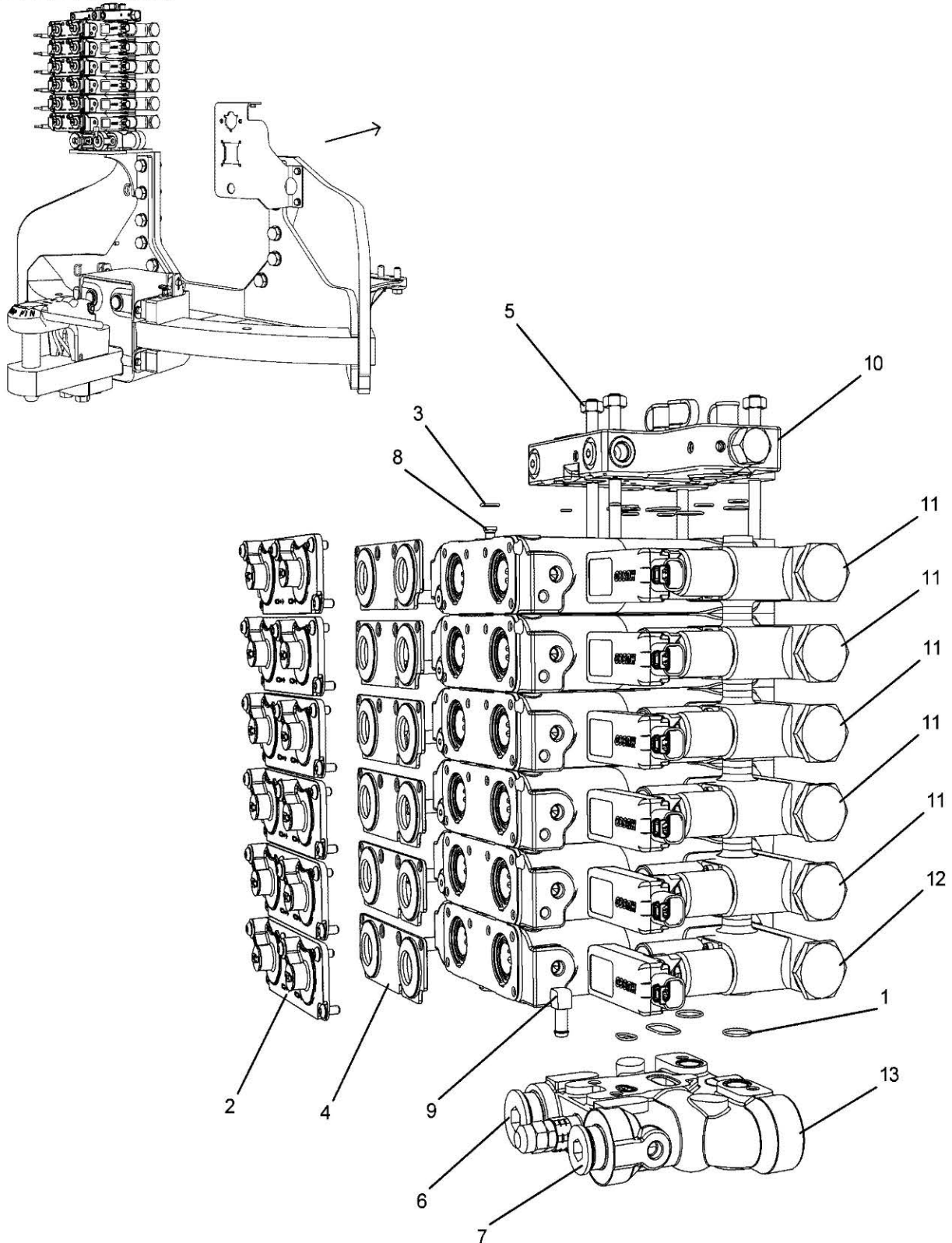
517868D1-03-W628



517868D1 - 5 BANK VALVE GROUP

ITEM	PART NUMBER	QTY	DESCRIPTION COMMENTS	TECHNICAL SPECIFICATION
1	527312D1	1	SEAL KIT PARTS ARE SUPPLIED ONLY IN KIT.	
2	522100D1	5	COVER KIT SEE PAGE 08-0004 CAN BE PURCHASED AS A COMPLETE KIT OR DUST COVER CAN BE PURCHASED SEPARATELY.	1/2" COUPLER
3	527367D1	1	SEAL KIT PARTS ARE SUPPLIED ONLY IN KIT FORM.	
4	527373D1	1	DUST SEAL DUST COVER	1/2"
5	527358D1	1	KIT, ROD SERVICED AS A KIT ONLY.	
6	CH183-3902	1	PLUG	1 5/8"-12, 20 STOR
	CH183-2317	1	O-RING	
7	400370X1	1	HEX SOCKET HEAD PLUG	1-5/16"-12, -16 STOR
	400376X1	1	O-RING	29.74MM ID X 2.95MM
8	401929X1	1	HEX SOCKET HEAD PLUG	5/16"-24 MORB
	401928X1	1	O-RING	1/8"
9	401931X1	1	ELBOW FITTING BARBED	1/8" NPT X 3/8" BARB
10	522106D1	1	END COVER STACK SEE PAGE 08-0006	
11	522103D1	1	HYDRAULIC VALVE SEE PAGE 08-0034	1/2"
12	527375D1	1	VALVE KIT SEE PAGE 08-0050	
13	522104D1	1	HYDRAULIC VALVE SEE PAGE 08-0005	

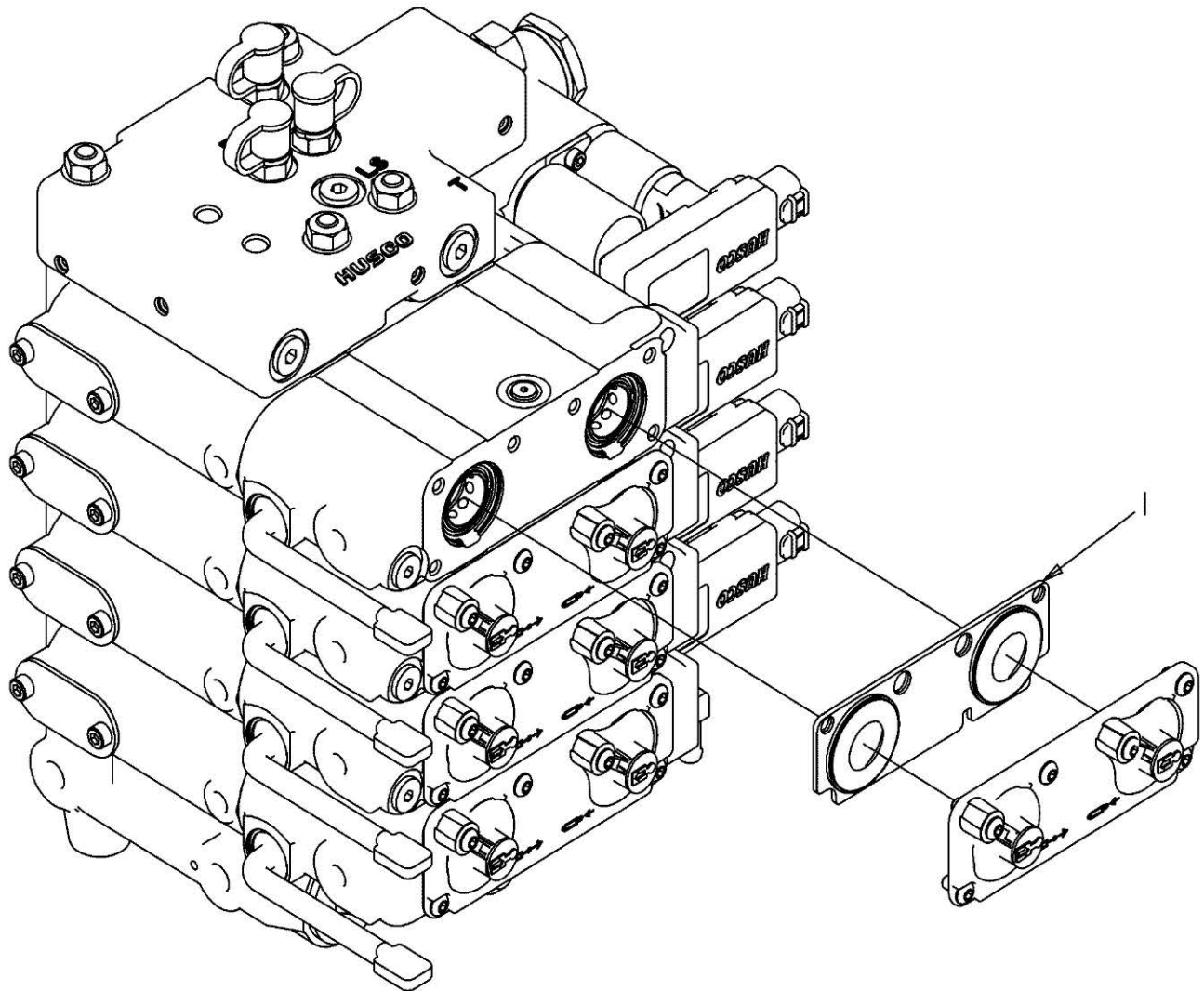
517869D1-03-W628



517869D1 - 6 BANK VALVE GROUP

ITEM	PART NUMBER	QTY	DESCRIPTION COMMENTS	TECHNICAL SPECIFICATION
1	527312D1	1	SEAL KIT PARTS ARE SUPPLIED ONLY IN KIT.	
2	522100D1	6	COVER KIT CAN BE PURCHASED AS A COMPLETE KIT OR DUST COVER CAN BE PURCHASED SEPARATELY. SEE PAGE 08-0004	1/2" COUPLER
3	527367D1	1	SEAL KIT PARTS ARE SUPPLIED ONLY IN KIT.	
4	527373D1	1	DUST SEAL DUST COVER	1/2"
5	527360D1	1	KIT, ROD SERVICED ONLY AS A KIT.	
6	CH183-3902	1	PLUG	1 5/8"-12, 20 STOR
	CH183-2317	1	O-RING	
7	400370X1	1	HEX SOCKET HEAD PLUG	1-5/16"-12, -16 STOR
	400376X1	1	O-RING	29.74MM ID X 2.95MM
8	401929X1	1	HEX SOCKET HEAD PLUG	5/16"-24 MORB
	401928X1	1	O-RING	1/8"
9	401931X1	1	ELBOW FITTING BARBED	1/8" NPT X 3/8" BARB
10	522106D1	1	END COVER STACK SEE PAGE 08-0006	
11	522103D1	1	HYDRAULIC VALVE SEE PAGE 08-0034	1/2"
12	527375D1	1	VALVE KIT SEE PAGE 08-0050	
13	522104D1	1	HYDRAULIC VALVE SEE PAGE 08-0005	

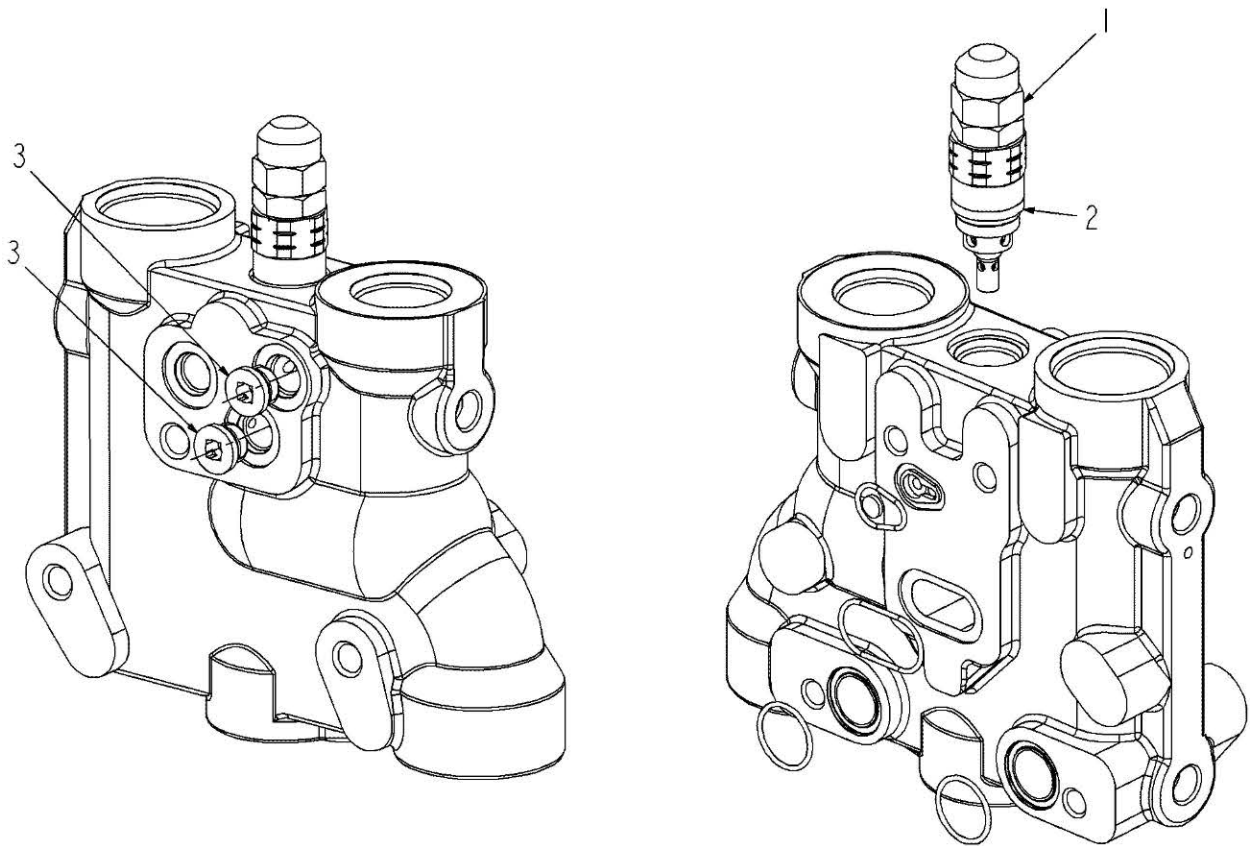
522100D1-02-W628



522100D1 - DUST COVER KIT, 1/2 COUPLER

ITEM	PART NUMBER	QTY	DESCRIPTION COMMENTS	TECHNICAL SPECIFICATION
1	527373D1	-	DUST SEAL DUST COVER	1/2"

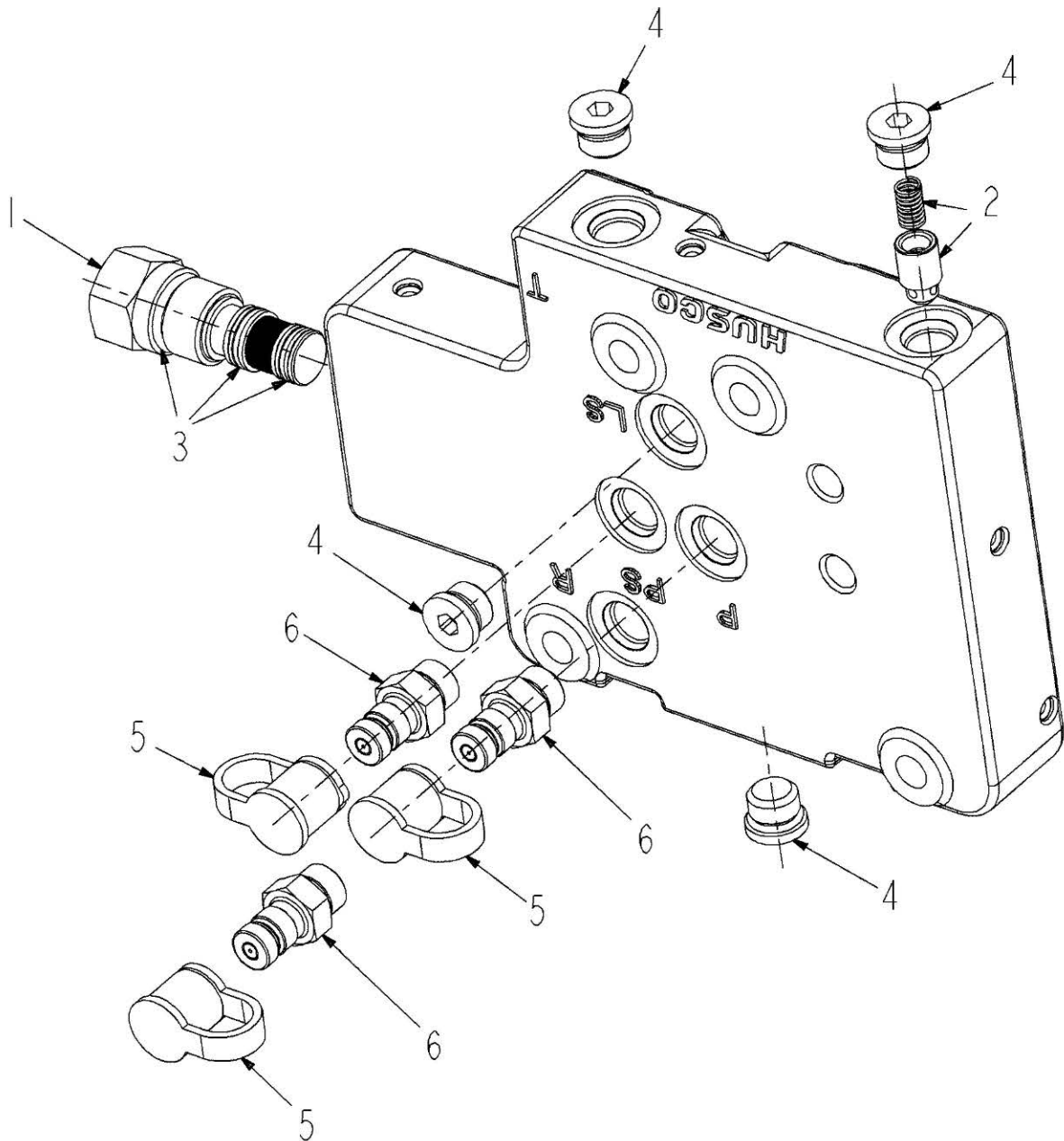
522104D1-01-V355



522104D1 - IMPLEMENT INLET VALVE ASSEMBLY

ITEM	PART NUMBER	QTY	DESCRIPTION COMMENTS	TECHNICAL SPECIFICATION
1	527317D1	1	VALVE SERVICE KIT LOAD SENSE RELIEF	
	527363D1	1	SEAL KIT	
2	527363D1	1	SEAL KIT LOAD SENSE RELIEF VALVE	
3	531195D1	1	PLUG KIT SEE PAGE 08-0012	
	400318X1	1	O-RING	11.89MM ID X 1.98MM

522106D1-01-V349



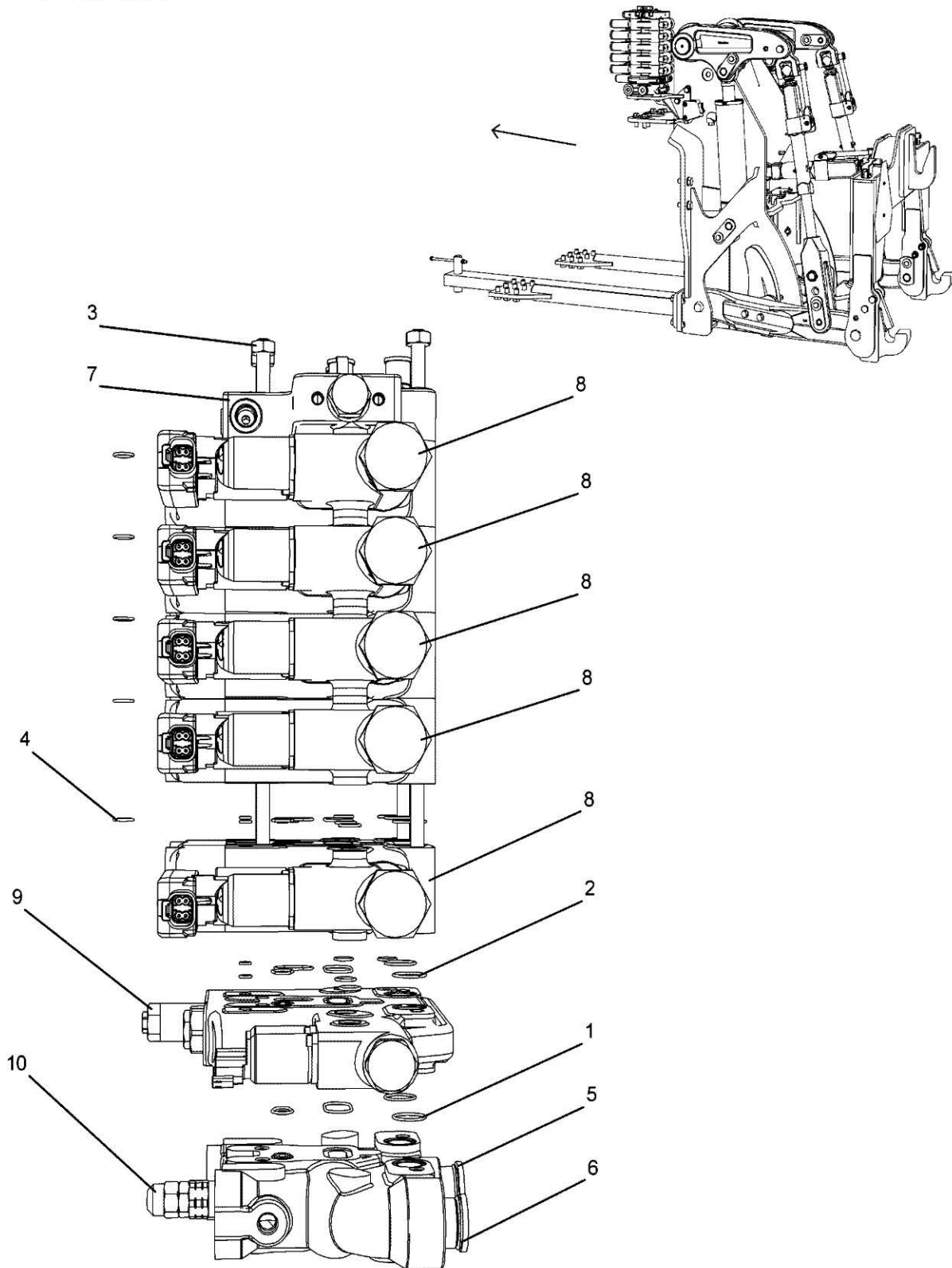
522106D1 - REAR STACK END COVER

ITEM	PART NUMBER	QTY	DESCRIPTION COMMENTS	TECHNICAL SPECIFICATION
1	527315D1	1	VALVE SERVICE KIT REDUCING VALVE KIT	
	527364D1	1	SEAL KIT	
2	527316D1	1	VALVE SERVICE KIT SUMP	
3	527364D1	1	SEAL KIT REDUCING VALVE	
4	CH162-0177	4	PLUG	9/16"-18
	400318X1	4	O-RING	11.89MM ID X 1.98MM
5	400323X1	3	DUST CAP RUBBER	12.6MM OD
6	400324X1	3	QUICK COUPLER NIPPLE	9/16"-18, -6 STOR
	400318X1	3	O-RING	11.89MM ID X 1.98MM

517870D1 - 4 IMPLEMENT VALVE GROUP, WITH HITCH

ITEM	PART NUMBER	QTY	DESCRIPTION COMMENTS	TECHNICAL SPECIFICATION
1	527312D1	1	SEAL KIT PARTS ARE SUPPLIED ONLY IN KIT.	
2	527324D1	1	SEAL KIT PARTS ARE SUPPLIED ONLY IN KIT. SEE PAGE 08-0047	
3	527367D1	1	SEAL KIT PARTS ARE SUPPLIED ONLY IN KIT.	
4	527357D1	1	ROD KIT WITH HITCH SEE PAGE 08-0048	
5	400370X1	1	HEX SOCKET HEAD PLUG	1-5/16"-12, -16 STOR
	400376X1	1	O-RING	29.74MM ID X 2.95MM
6	CH183-3902	1	PLUG	1 5/8"-12, 20 STOR
	CH183-2317	1	O-RING	
7	522106D1	1	END COVER STACK SEE PAGE 08-0006	
8	522102D1	1	KIT, VALVE IMPLEMENT STANDARD FLOW SEE PAGE 08-0013	
9	522105D1	1	HYDRAULIC VALVE HITCH LIFT SEE PAGE 08-0015	
10	522104D1	1	HYDRAULIC VALVE IMPLEMENT INLET SEE PAGE 08-0005	
	527317D1	1	VALVE SERVICE KIT	
	527363D1	1	SEAL KIT	
	531195D1	1	PLUG KIT	

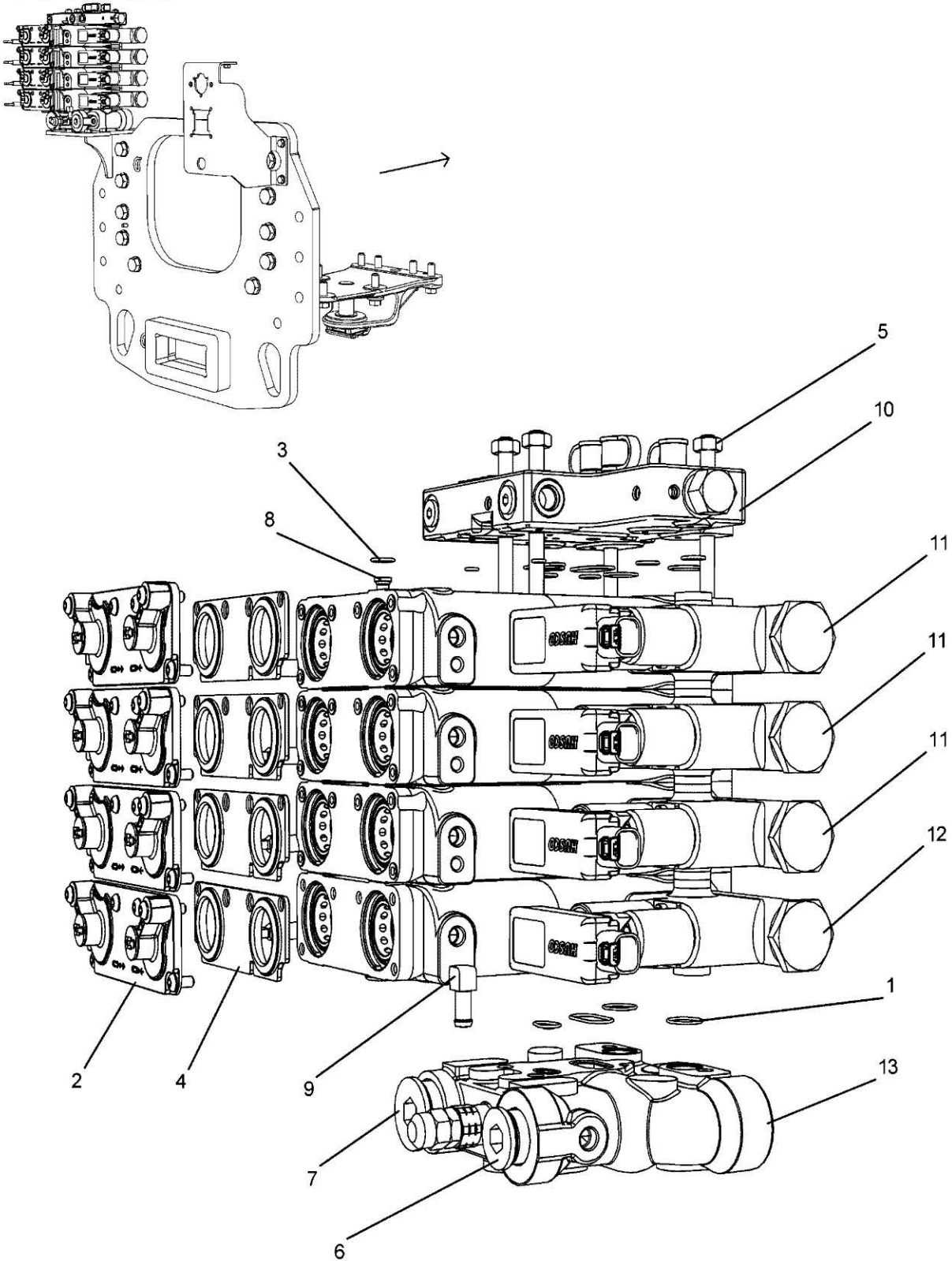
517871D1-03-W628



517871D1 - 5 IMPLEMENT VALVE GROUP, HITCH

ITEM	PART NUMBER	QTY	DESCRIPTION COMMENTS	TECHNICAL SPECIFICATION
1	527312D1	1	SEAL KIT PARTS ARE SUPPLIED ONLY IN KIT.	
2	527324D1	1	SEAL KIT PARTS ARE SUPPLIED ONLY IN KIT. SEE PAGE 08-0047	
3	527359D1	1	ROD KIT SERVICED ONLY AS A KIT.	
4	527367D1	1	SEAL KIT PARTS ARE SUPPLIED ONLY IN KIT.	
5	CH183-3902	1	PLUG	1 5/8"-12, 20 STOR
	CH183-2317	1	O-RING	
6	400370X1	1	HEX SOCKET HEAD PLUG	1-5/16"-12, -16 STOR
	400376X1	1	O-RING	29.74MM ID X 2.95MM
7	522106D1	1	END COVER STACK SEE PAGE 08-0006	
8	522102D1	1	KIT, VALVE SEE PAGE 08-0013	
9	522105D1	1	HYDRAULIC VALVE SEE PAGE 08-0015	
10	522104D1	1	HYDRAULIC VALVE IMPLEMENT INLET SEE PAGE 08-0005	

517873D1-03-W628

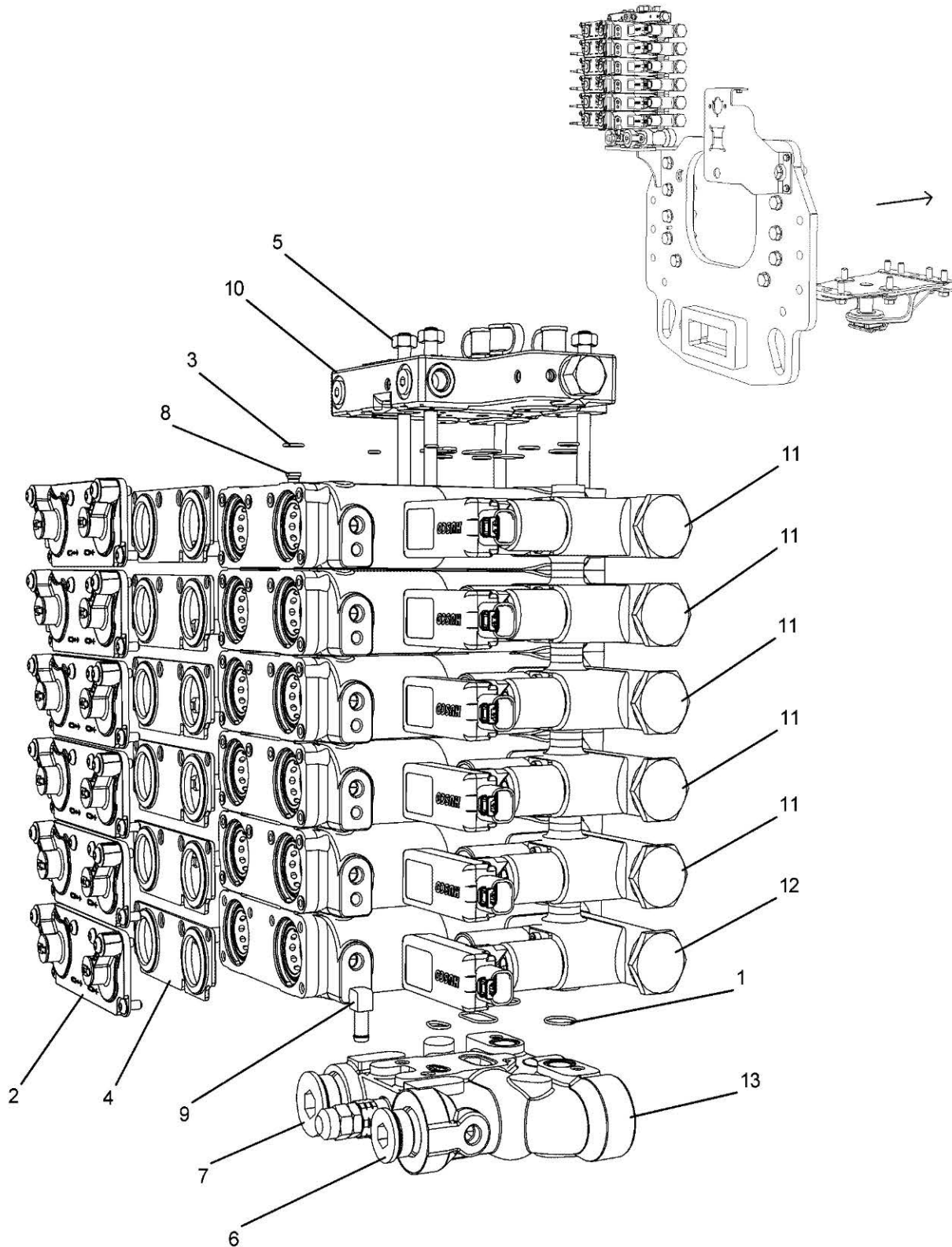


517873D1 - 4 BANK VALVE GROUP, 3/4 INCH COUPLER

ITEM	PART NUMBER	QTY	DESCRIPTION COMMENTS	TECHNICAL SPECIFICATION
1	527312D1	1	SEAL KIT PARTS ARE SUPPLIED ONLY IN KIT.	
2	522226D1	4	COVER KIT COUPLER SEE PAGE 08-0019	
	527374D1	1	DUST SEAL	3/4"
3	527367D1	1	SEAL KIT PARTS ARE SUPPLIED ONLY IN KIT.	
4	527374D1	1	DUST SEAL	3/4"
5	527356D1	1	KIT, ROD SERVICED ONLY AS A KIT.	
6	400370X1	1	HEX SOCKET HEAD PLUG	1-5/16"-12, -16 STOR
	400376X1	1	O-RING	29.74MM ID X 2.95MM
7	CH183-3902	1	PLUG	1 5/8"-12, 20 STOR
	CH183-2317	1	O-RING	
8	401929X1	1	HEX SOCKET HEAD PLUG	5/16"-24 MORB
	401928X1	1	O-RING	1/8"
9	401931X1	1	ELBOW FITTING BARBED	1/8" NPT X 3/8" BARB
10	522106D1	1	END COVER STACK SEE PAGE 08-0006	
11	522223D1	1	KIT, VALVE IMPLEMENT, 3/4 INCH HIGH FLOW SEE PAGE 08-0016	
12	527377D1	1	KIT, VALVE IMPLEMENT, 3/4 INCH HIGH FLOW, BOTTOM SEE PAGE 08-0051	
13	522104D1	1	HYDRAULIC VALVE IMPLEMENT INLET SEE PAGE 08-0005	

517875D1 - 6 BANK VALVE GROUP, 3/4 INCH COUPLER

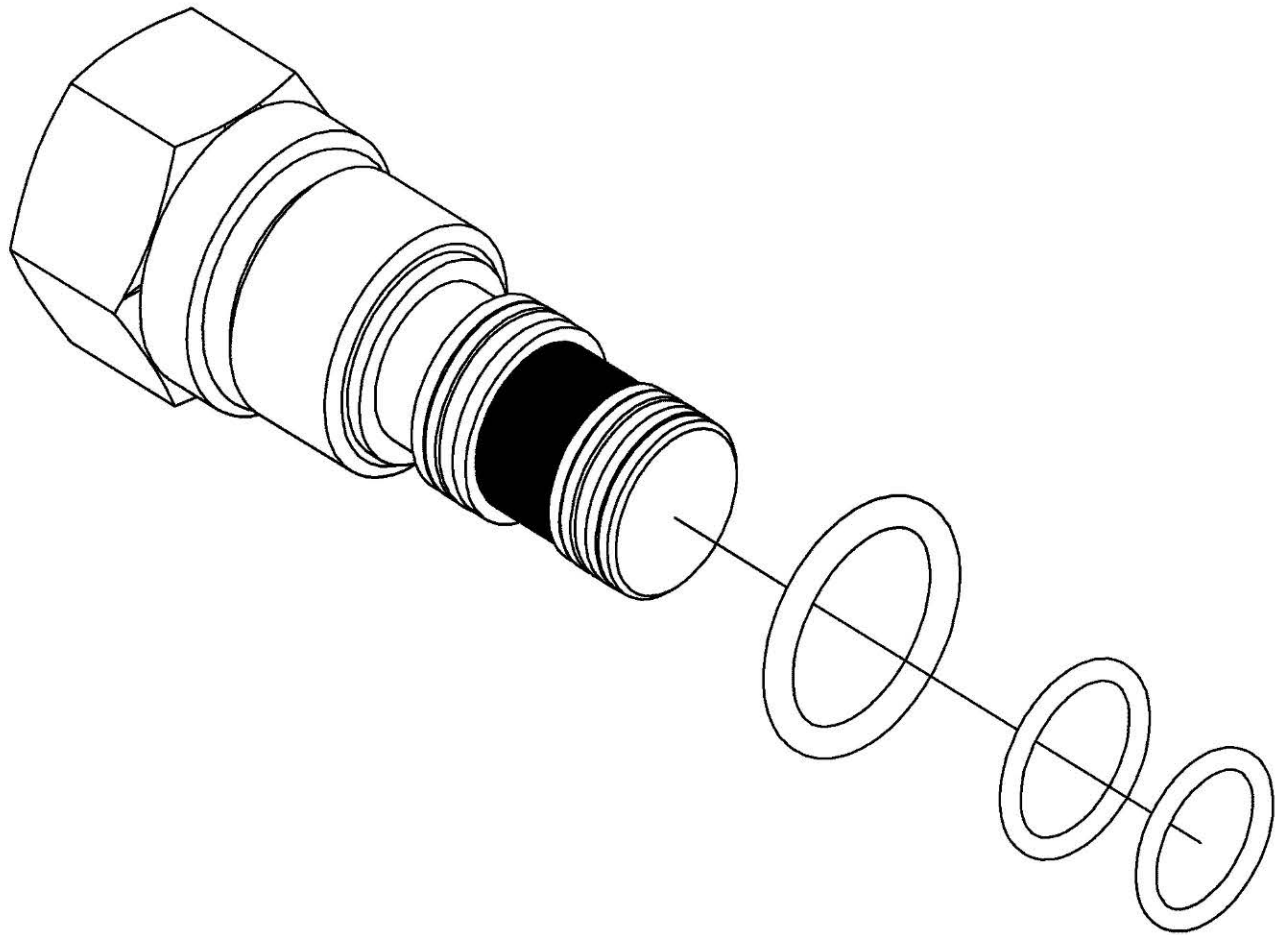
517875D1-03-W628



517875D1 - 6 BANK VALVE GROUP, 3/4 INCH COUPLER

ITEM	PART NUMBER	QTY	DESCRIPTION COMMENTS	TECHNICAL SPECIFICATION
1	527312D1	1	SEAL KIT PARTS ARE SUPPLIED ONLY IN KIT.	
2	522226D1	6	COVER KIT COUPLER SEE PAGE 08-0019	
	527374D1	1	DUST SEAL	3/4"
3	527367D1	1	SEAL KIT PARTS ARE SUPPLIED ONLY IN KIT.	
4	527374D1	1	DUST SEAL DUST COVER	3/4"
5	527360D1	1	KIT, ROD SERVICED ONLY AS A KIT.	
6	400370X1	1	HEX SOCKET HEAD PLUG	1-5/16"-12, -16 STOR
	400376X1	1	O-RING	29.74MM ID X 2.95MM
7	CH183-3902	1	PLUG	1 5/8"-12, 20 STOR
	CH183-2317	1	O-RING	
8	401929X1	1	HEX SOCKET HEAD PLUG	5/16"-24 MORB
	401928X1	1	O-RING	1/8"
9	401931X1	1	ELBOW FITTING BARBED	1/8" NPT X 3/8" BARB
10	522106D1	1	END COVER STACK SEE PAGE 08-0006	
11	522223D1	1	KIT, VALVE SEE PAGE 08-0016	
12	527377D1	1	KIT, VALVE SEE PAGE 08-0043	
13	522104D1	1	HYDRAULIC VALVE IMPLEMENT INLET SEE PAGE 08-0005	
	527317D1	1	VALVE SERVICE KIT	
	531195D1	1	PLUG KIT	
	527363D1	1	SEAL KIT	

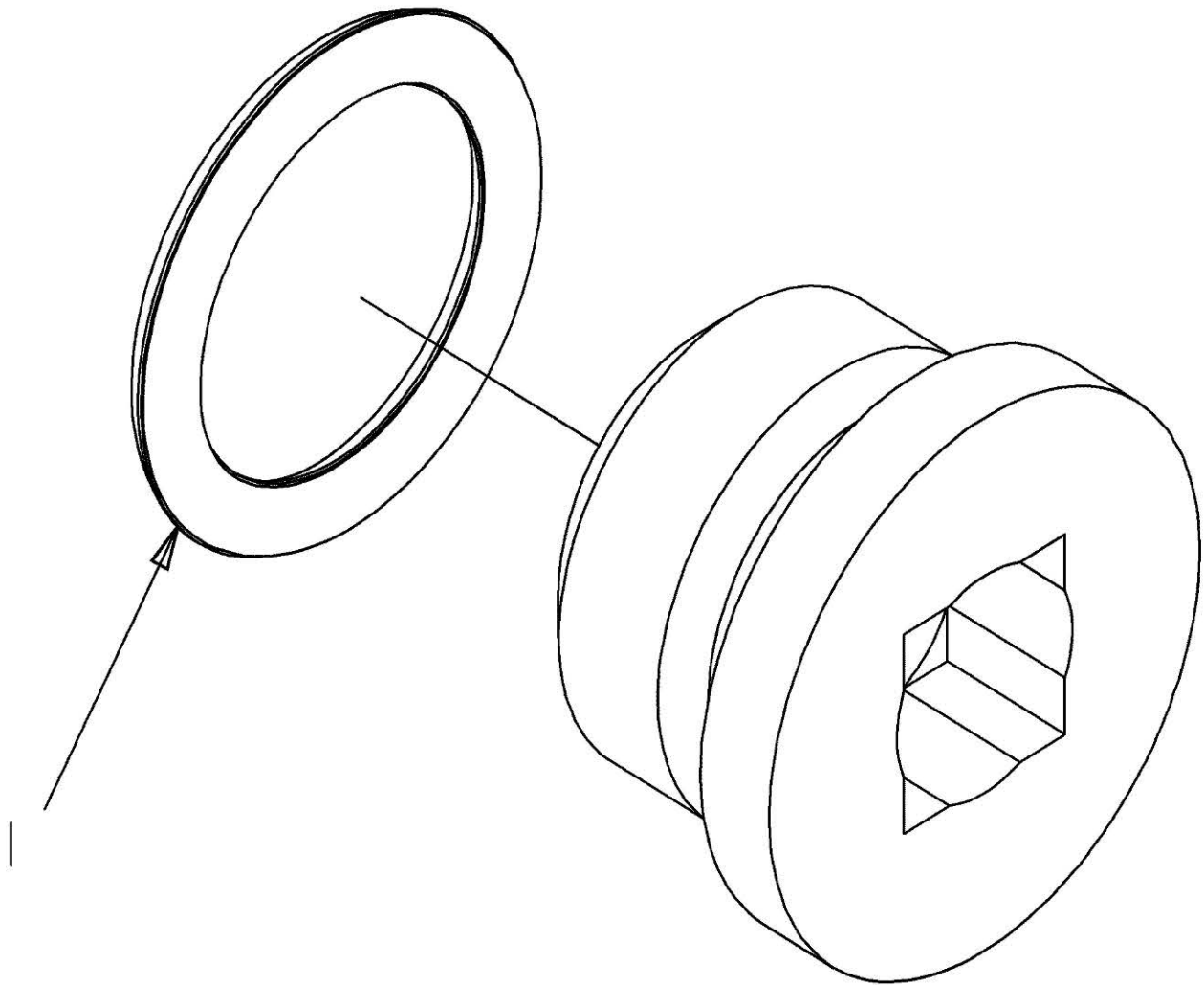
527315D1-01-V178



527315D1 - REDUCING VALVE KIT

ITEM	PART NUMBER	QTY	DESCRIPTION COMMENTS	TECHNICAL SPECIFICATION
	527364D1	-	SEAL KIT REDUCING VALVE	

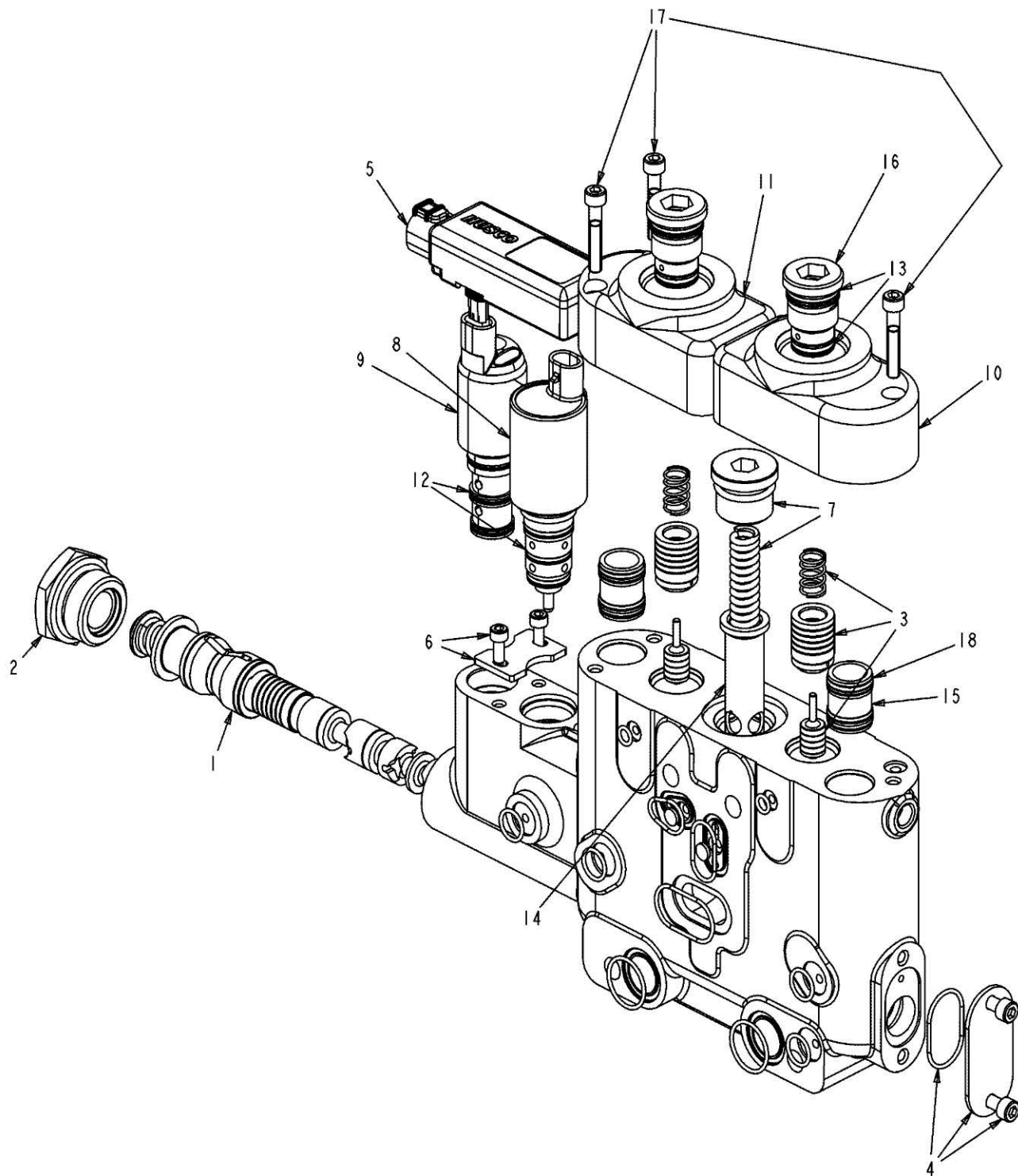
531195D1-01-V248



531195D1 - LS PLUG KIT

ITEM	PART NUMBER	QTY	DESCRIPTION COMMENTS	TECHNICAL SPECIFICATION
1	400318X1	1	O-RING	11.89MM ID X 1.98MM

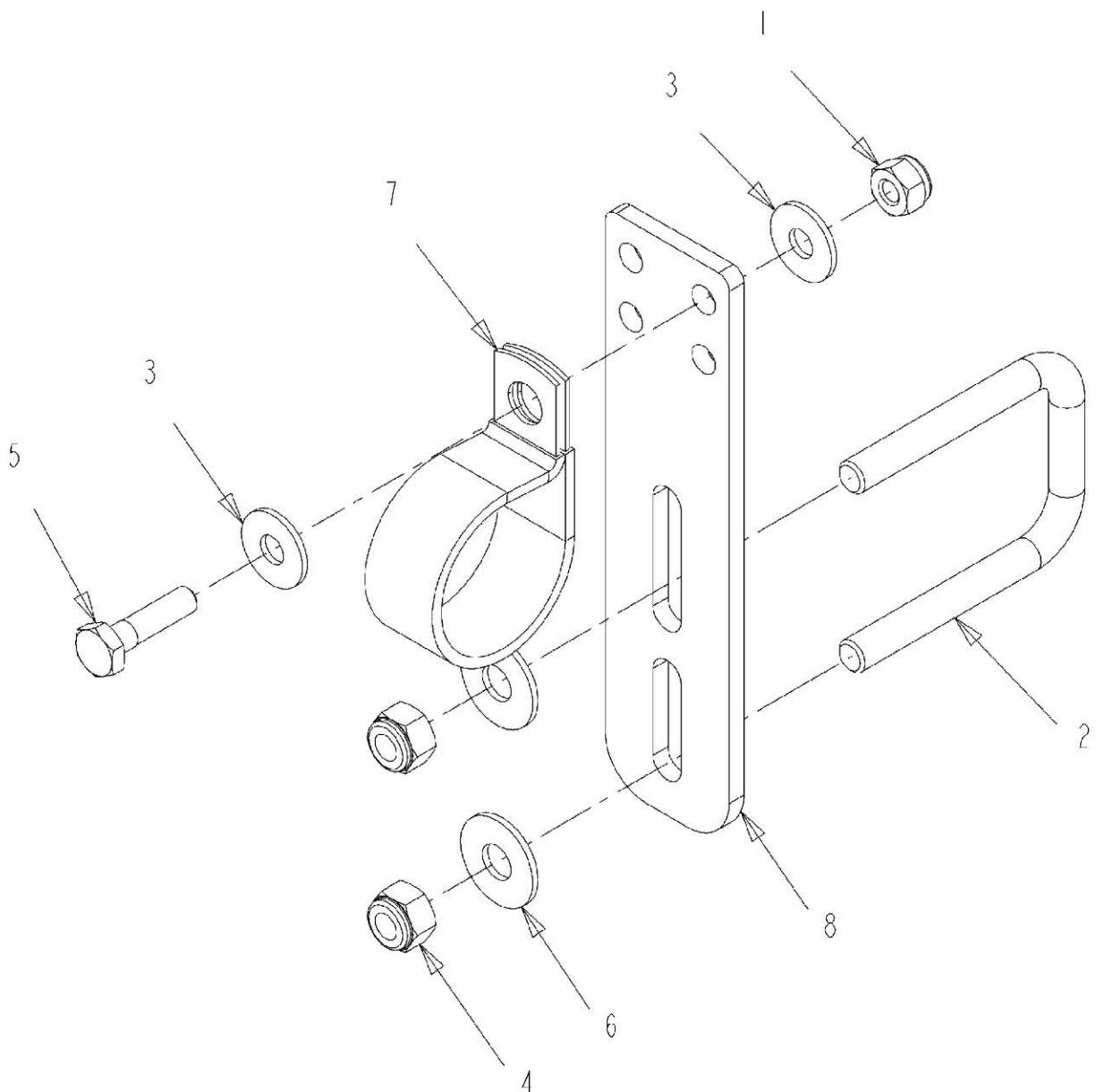
522102D1-03-W628



522102D1 - VALVE GROUP, IMPLEMENT, STANDARD FLOW

ITEM	PART NUMBER	QTY	DESCRIPTION COMMENTS	TECHNICAL SPECIFICATION
1	527309D1		VALVE SERVICE KIT SERVICED ONLY AS A KIT. SEE PAGE 08-0017	
2	527331D1		HEX HEAD PLUG	
3	543028D1	1	POPPET VALVE KIT SEE PAGE 08-0040	
4	527340D1		COVER KIT PLATE	W/SEAL
5	521912D1		VALVE CONTROL SEE PAGE 09-0018	
	402438X1	1	SEAL	
6	527342D1		CLAMP KIT	
7	527345D1		SPRING KIT SEE PAGE 08-0020	
8	527365D1		PROPORTIONAL CARTRIDGE THIS KIT SERVICED ONLY AS A COMPLETE PACKAGE SEE PAGE 08-0021	3/4"
9	527366D1		SOLENOID DIRECTIONAL SEE PAGE 08-0022	
	532040D1	1	VALVE SEAL KIT	
10	530647D1		KIT, COUPLING THREADED	
11	530652D1		KIT, COUPLING COUPLER	
12	532040D1		VALVE SEAL KIT	
13	532042D1		RELIEF VALVE SEAL KIT SEE PAGE 08-0046	
14	532045D1		SPOOL KIT COMPENSATOR	
15	532399D1		SLEEVE VALVE	
16	532449D1		RELIEF VALVE SEAL KIT SEE PAGE 08-0045	
	532042D1	1	RELIEF VALVE SEAL KIT	
17	400070X1	1	HEX SOCKET HEAD BOLT	M6 X 1 X 35MM, CL10.9
18	527334D1		SEAL KIT KIT CAN BE USED IN BOTH WORK PORTS SERVICED AS A KIT ONLY SEE PAGE 08-0037	

520811D1-5-AA477-

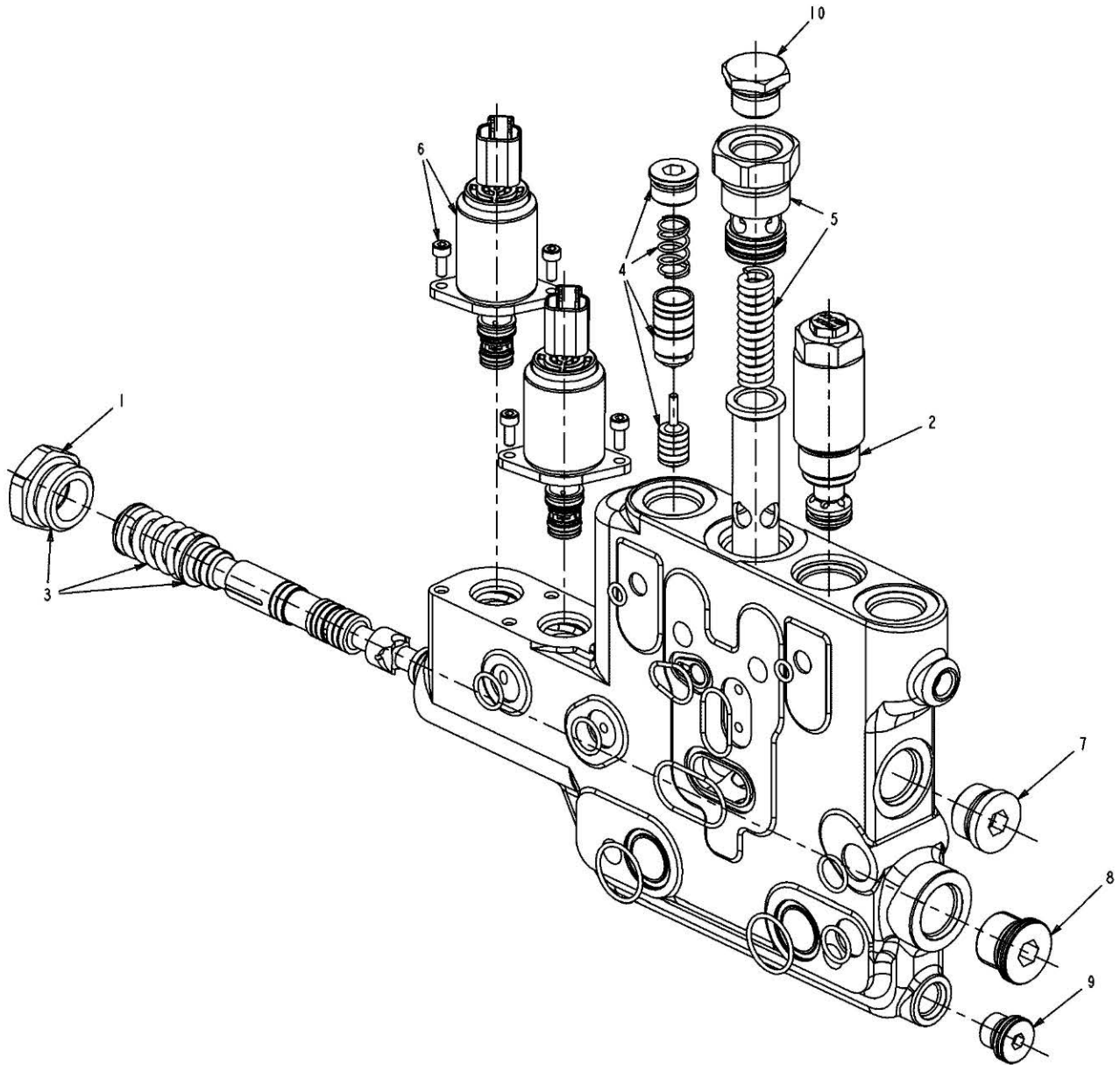


520811D1 - BRACKET ASSEMBLY, STRAIGHT, SHORT, 1.00 P-CLIP, REVERSED U

ITEM	PART NUMBER	QTY	DESCRIPTION COMMENTS	TECHNICAL SPECIFICATION
1	AG027275	1	HEX LOCKNUT	1/4"-20
2	AG231204	1	U-BOLT	5/16"-18 X 1-7/8" X 2-5/8"
3	AG515121	2	FLAT WASHER	1/4", SS
4	AG516403	2	HEX NYLON INSERT LOCKNUT	5/16"-18, SS
5	AG562064	1	HEXAGONAL HEAD BOLT	1/4"-20 X 1", SS
6	AG562074	2	FLAT WASHER	5/16", SS
7	AG562238	1	P-CLIP	1.5"ID
8	570843D1	1	STANDOFF BRACKET	7 GA, SS

522105D1 - HITCH LIFT VALVE ASSEMBLY

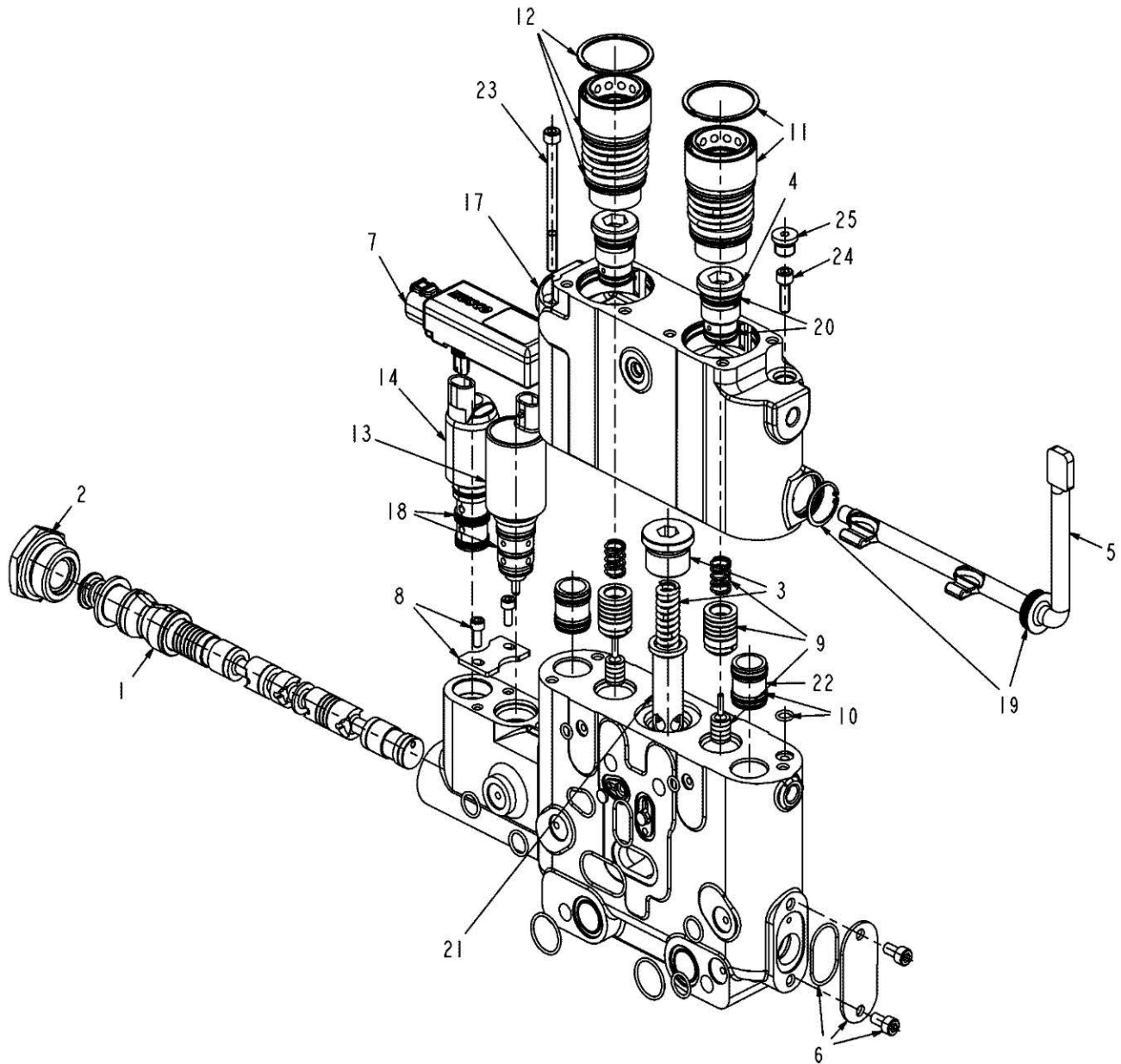
522105D1-02-W628



522105D1 - HITCH LIFT VALVE ASSEMBLY

ITEM	PART NUMBER	QTY	DESCRIPTION COMMENTS	TECHNICAL SPECIFICATION
1	527322D1		PLUG KIT	
2	527323D1	1	RELIEF VALVE RELIEF	
	532038D1	1	SEAL KIT	
3	527325D1	1	VALVE SERVICE KIT CONTROL VALVE	
4	543027D1	1	VALVE KIT SEE PAGE 08-0041	
5	527328D1	1	VALVE SERVICE KIT HITCH COMPENSATOR SPRING KIT	
6	527329D1	1	CARTRIDGE VALVE HITCH CARTRIDGE VALVE KIT	
7	400369X1	1	SOCKET HEAD PLUG	-10 STOR
	400319X1	1	O-RING	19.18MM ID X 2.46MM
8	401983X1	1	SOCKET HEAD PLUG HITCH	M22 X 1.5
	401379X1	1	O-RING	19.3MM ID X 2.2MM
9	401981X1	1	SOCKET HEAD PLUG HITCH	M14 X 1.5
	401376X1	1	O-RING	11.3MM ID X 2.2MM
10	CH148-8411	1	HEX HEAD PLUG	-8 STOR
	CH3K-0360	1	O-RING	16.36MM ID X 2.21MM

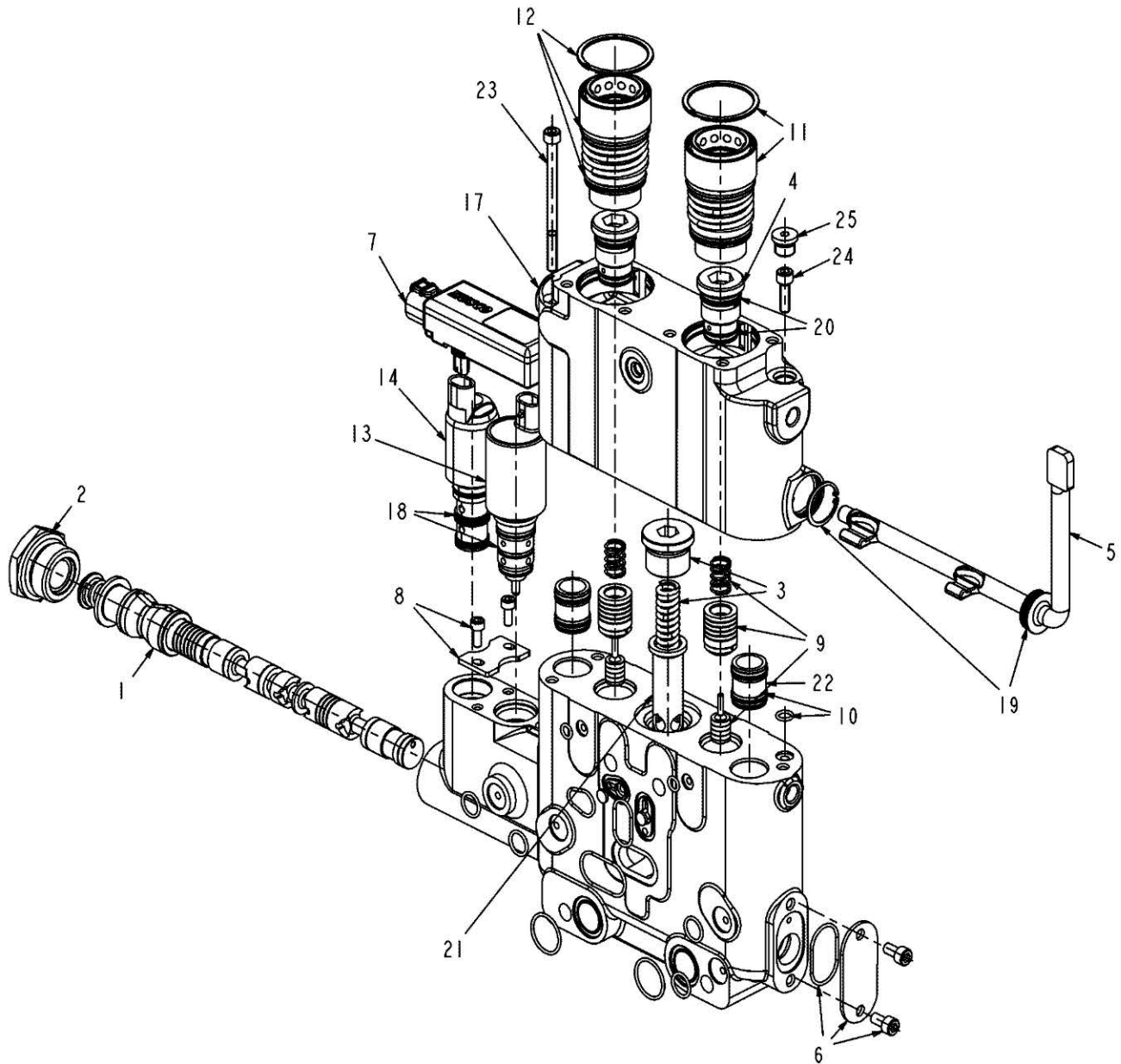
522223D1-02-W628



522223D1 - IMPLEMENT VALVE GROUP, HF, TOP, MID, .075

ITEM	PART NUMBER	QTY	DESCRIPTION COMMENTS	TECHNICAL SPECIFICATION
1	527309D1		VALVE SERVICE KIT SERVICED ONLY AS A KIT. SEE PAGE 08-0017	
2	527331D1		HEX HEAD PLUG	
3	527333D1		KIT, SPRING SEE PAGE 08-0054	
4	527337D1		RELIEF VALVE SEE PAGE 08-0043	
	532042D1	1	RELIEF VALVE SEAL KIT	
5	527338D1		HANDLE COUPLER SEE PAGE 08-0039	
	532041D1	1	SEAL KIT	
6	527340D1		COVER KIT PLATE	W/SEAL
7	521912D1	1	VALVE CONTROL SEE PAGE 09-0018	
	402438X1	1	SEAL	
8	527342D1		CLAMP KIT	
9	543028D1	1	POPPET VALVE KIT SEE PAGE 08-0040	
10	527334D1		SEAL KIT KIT CAN BE USED IN BOTH WORK PORTS SERVICED AS A KIT ONLY SEE PAGE 08-0037	
11	527348D1	1	COUPLER KIT SEE PAGE 08-0056	3/4"
	527349D1	1	SERVICE PARTS	3/4
	544401D1	1	SEAL KIT	3/4"
12	527349D1	1	SERVICE PARTS SEE PAGE 08-0058	3/4
13	527365D1	1	PROPORTIONAL CARTRIDGE THIS KIT SERVICED ONLY AS A COMPLETE PACKAGE SEE PAGE 08-0021	3/4"
14	527366D1	1	SOLENOID DIRECTIONAL SEE PAGE 08-0022	
	532040D1	1	VALVE SEAL KIT	
17	532410D1		KIT, COUPLING MID	
18	532040D1		VALVE SEAL KIT VALVE	
19	532041D1		SEAL KIT HANDLE	
20	532042D1	1	RELIEF VALVE SEAL KIT SEE PAGE 08-0046	
21	532045D1		SPOOL KIT COMPENSATOR	

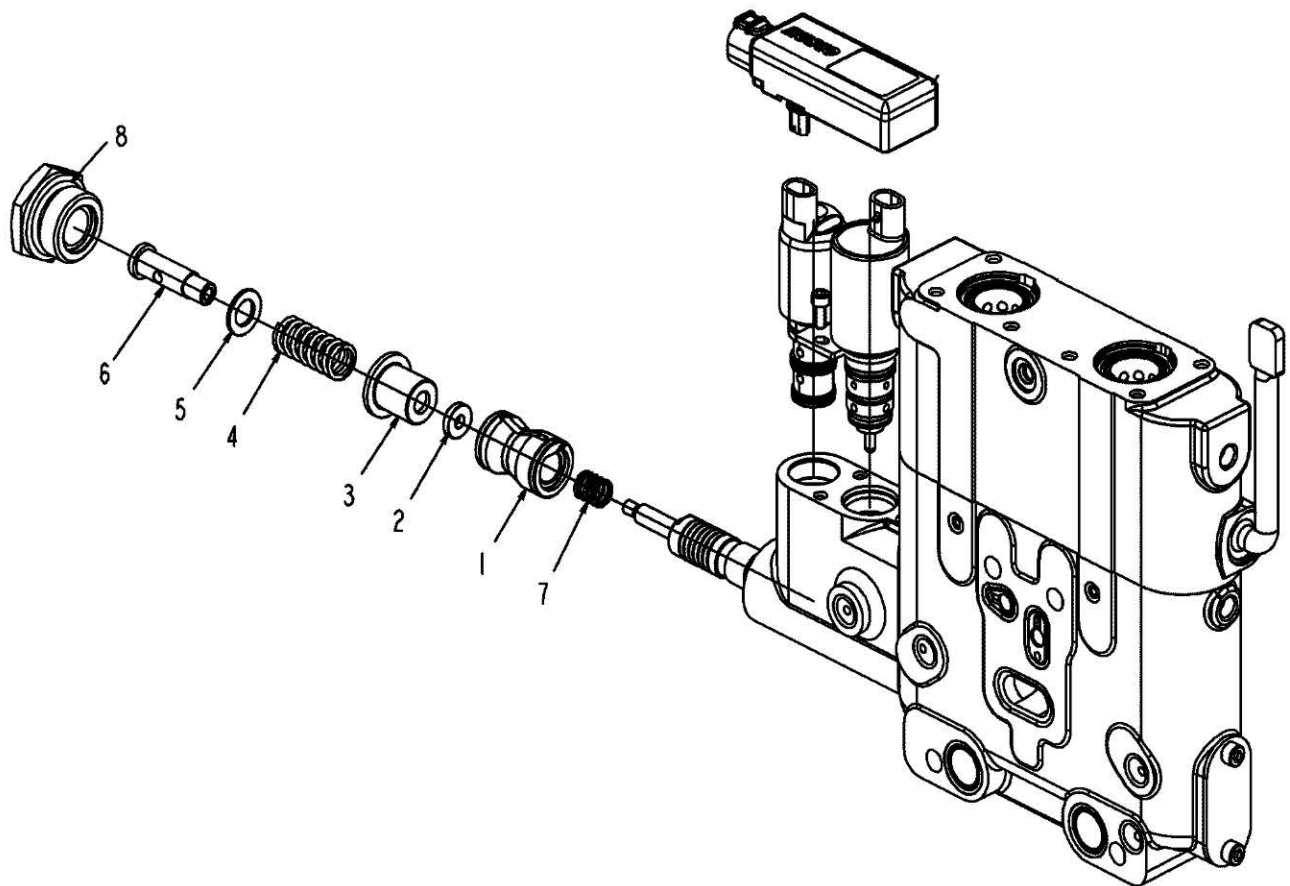
522223D1-02-W628



52223D1 - IMPLEMENT VALVE GROUP, HF, TOP, MID, .075

ITEM	PART NUMBER	QTY	DESCRIPTION COMMENTS	TECHNICAL SPECIFICATION
22	532399D1		SLEEVE VALVE	
23	401995X1		HEX SOCKET HEAD BOLT	M6 X 1 X 85MM
24	CH8T-0269		SOCKET HEAD BOLT	M6 X 1 X 20MM
25	502642D1	1	PLUG	AS.-1/2-20 HX SOCKE
	CH1J-9671	1	O-RING	10.52MM ID X 1.83MM

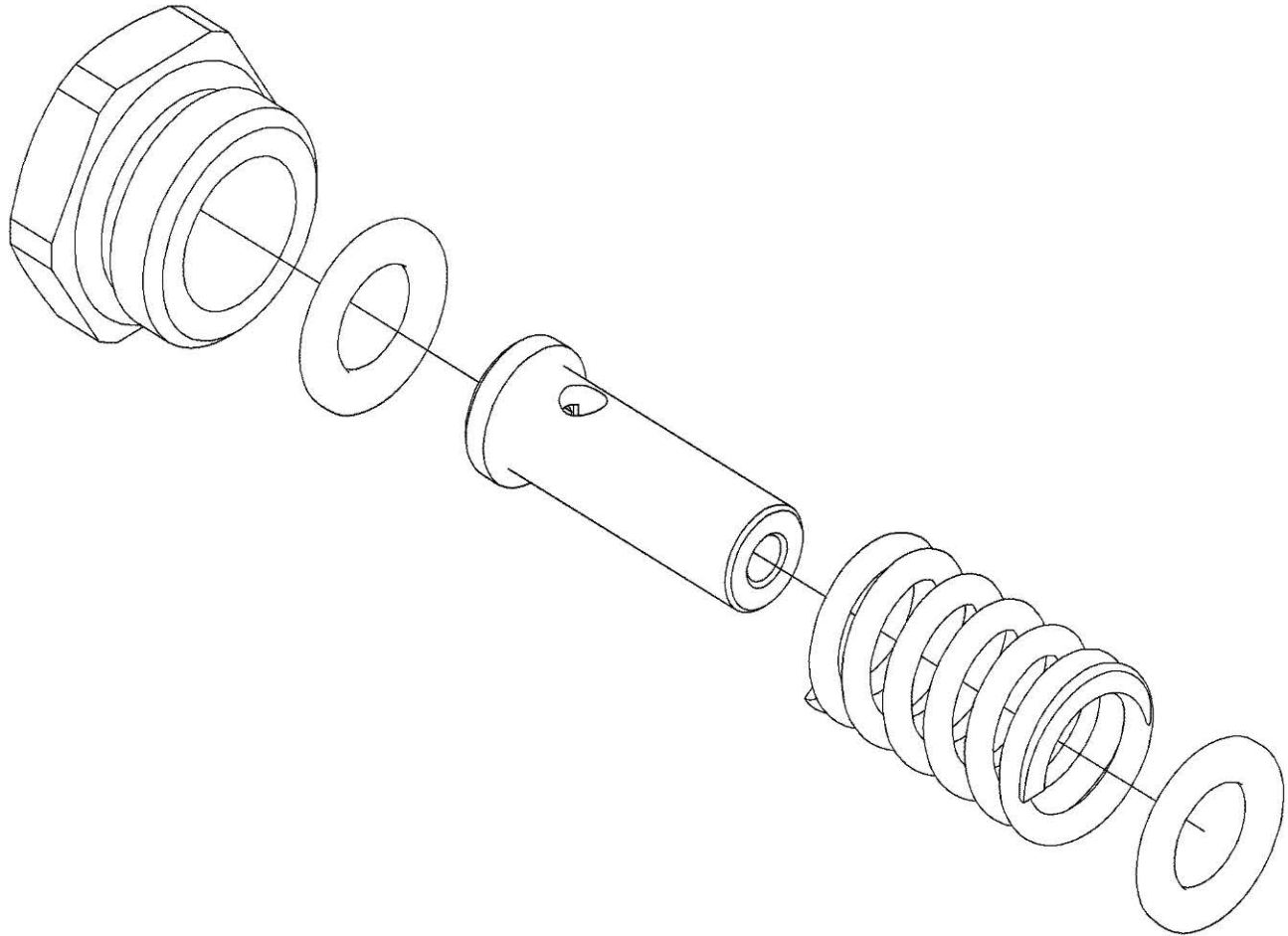
527309D1-01-V178



527309D1 - VALVE CONTROL SERVICE KIT

ITEM	PART NUMBER	QTY	DESCRIPTION COMMENTS	TECHNICAL SPECIFICATION
1	NS	-	NON-SERVICEABLE PART	
2	NS	-	NON-SERVICEABLE PART	
3	NS	-	NON-SERVICEABLE PART	
4	NS	-	NON-SERVICEABLE PART	
5	NS	-	NON-SERVICEABLE PART	
6	NS	-	NON-SERVICEABLE PART	
7	NS	-	NON-SERVICEABLE PART	
8	NS	-	NON-SERVICEABLE PART	

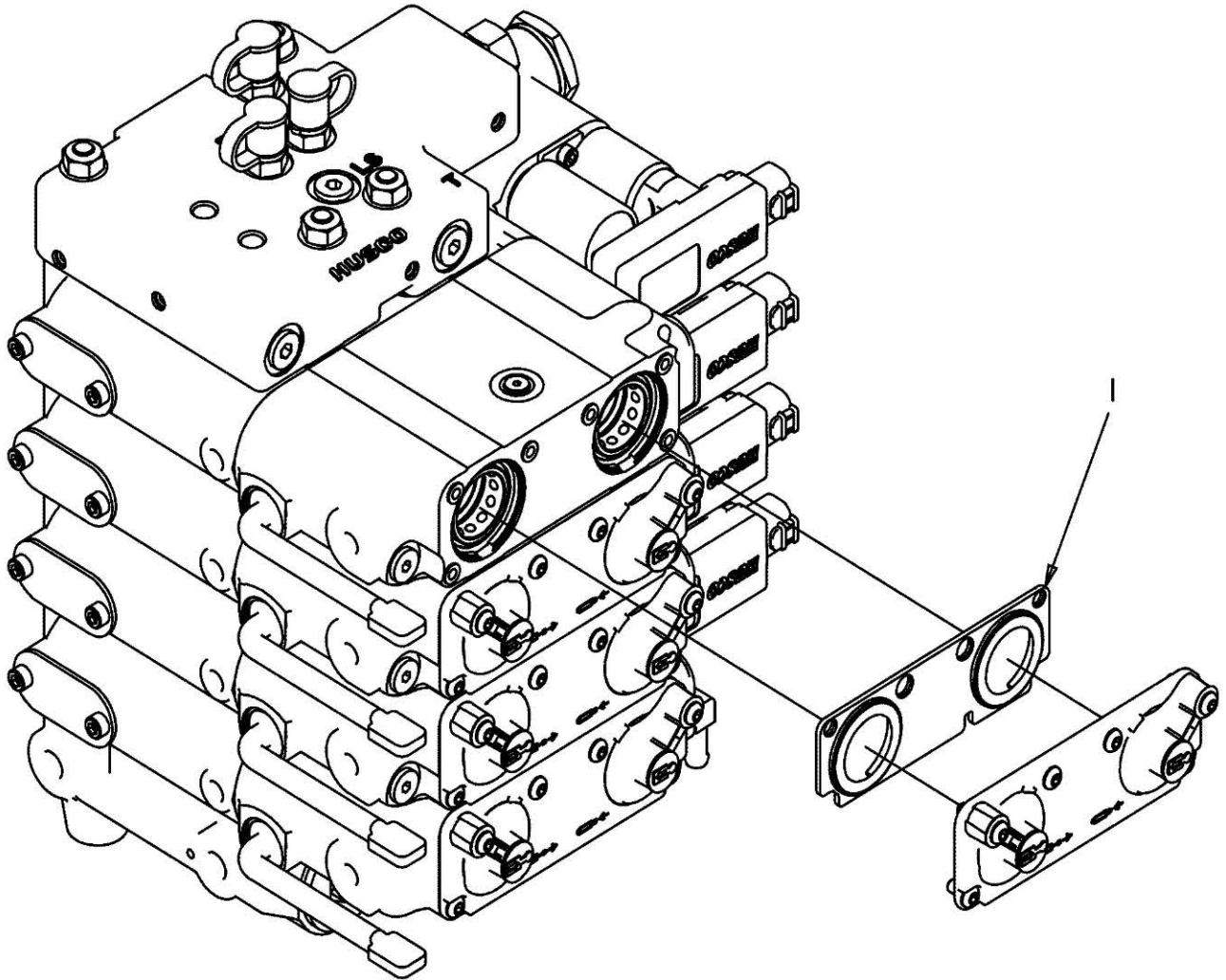
527325D1-01-V178



527325D1 - VALVE CONTROL SERVICE KIT

ITEM	PART NUMBER	QTY	DESCRIPTION COMMENTS	TECHNICAL SPECIFICATION
	NS	-	NON-SERVICEABLE PART	

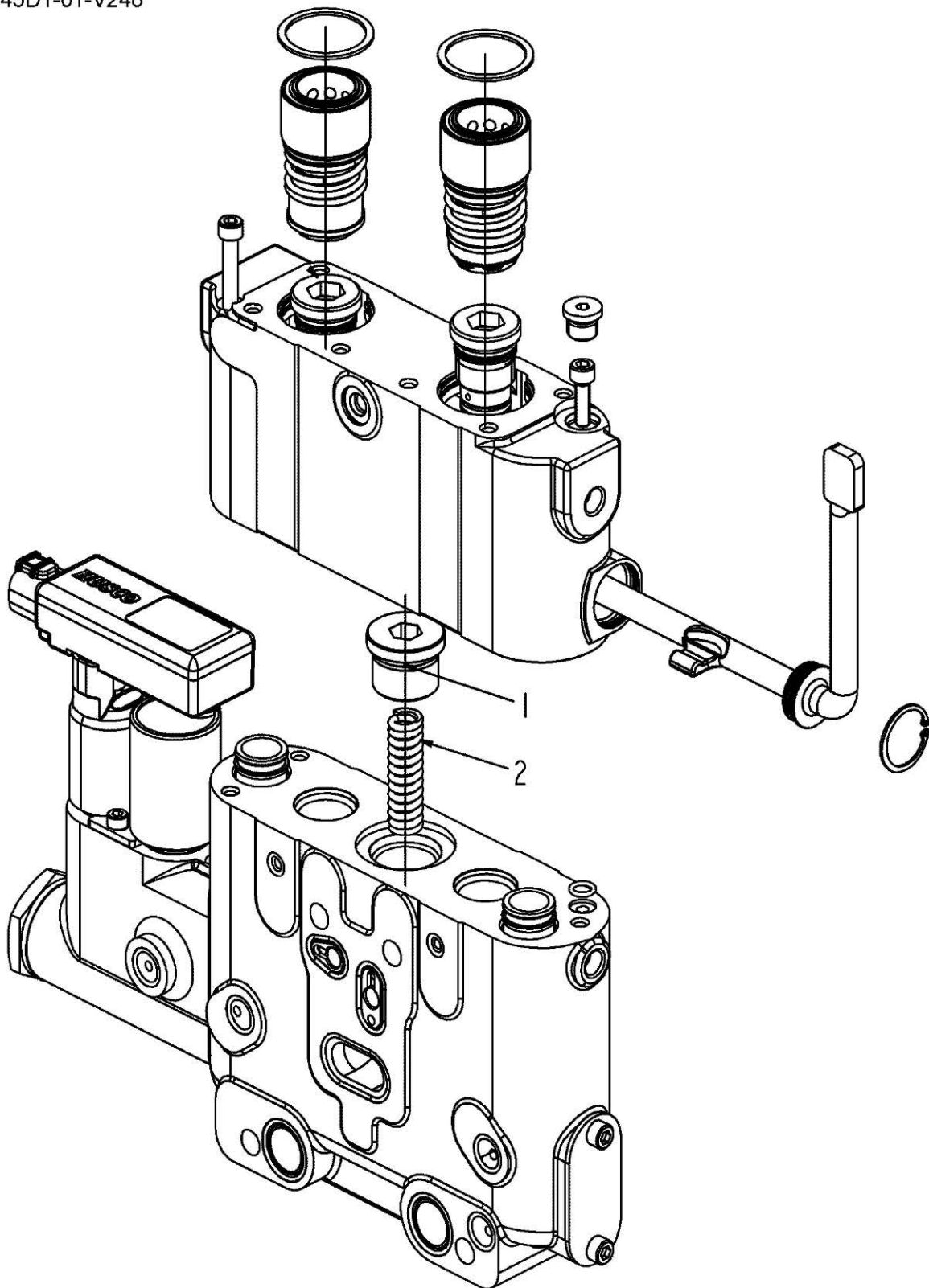
522226D1-02-W628



522226D1 - DUST COVER KIT, 3/4 COUPLER

ITEM	PART NUMBER	QTY	DESCRIPTION COMMENTS	TECHNICAL SPECIFICATION
1	527374D1	1	DUST SEAL DUST COVER	3/4"

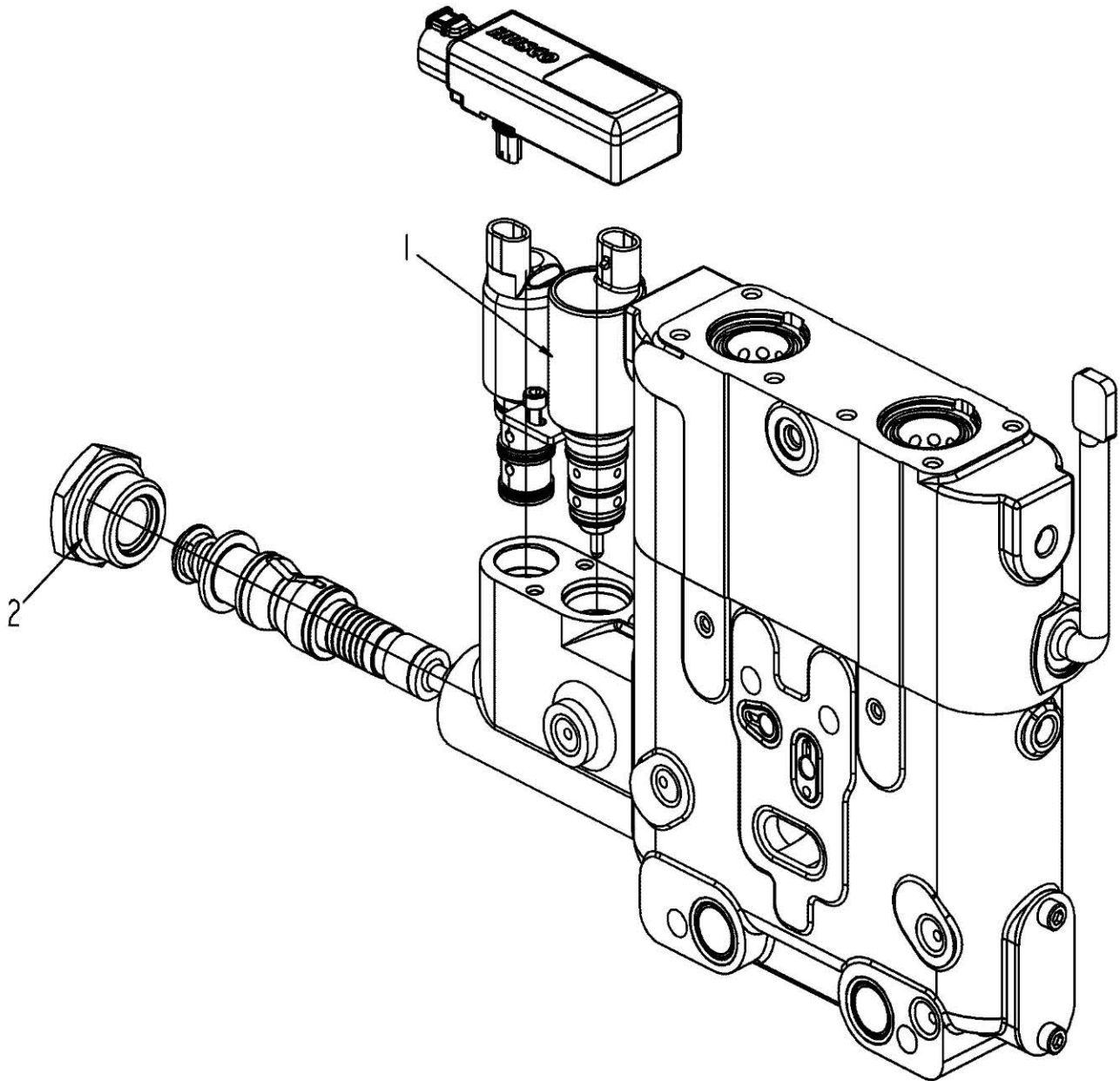
527345D1-01-V248



527345D1 - STANDARD COMPENSATOR SPRING KIT

ITEM	PART NUMBER	QTY	DESCRIPTION COMMENTS	TECHNICAL SPECIFICATION
1	NS	-	NON-SERVICEABLE PART	
2	NS	-	NON-SERVICEABLE PART	

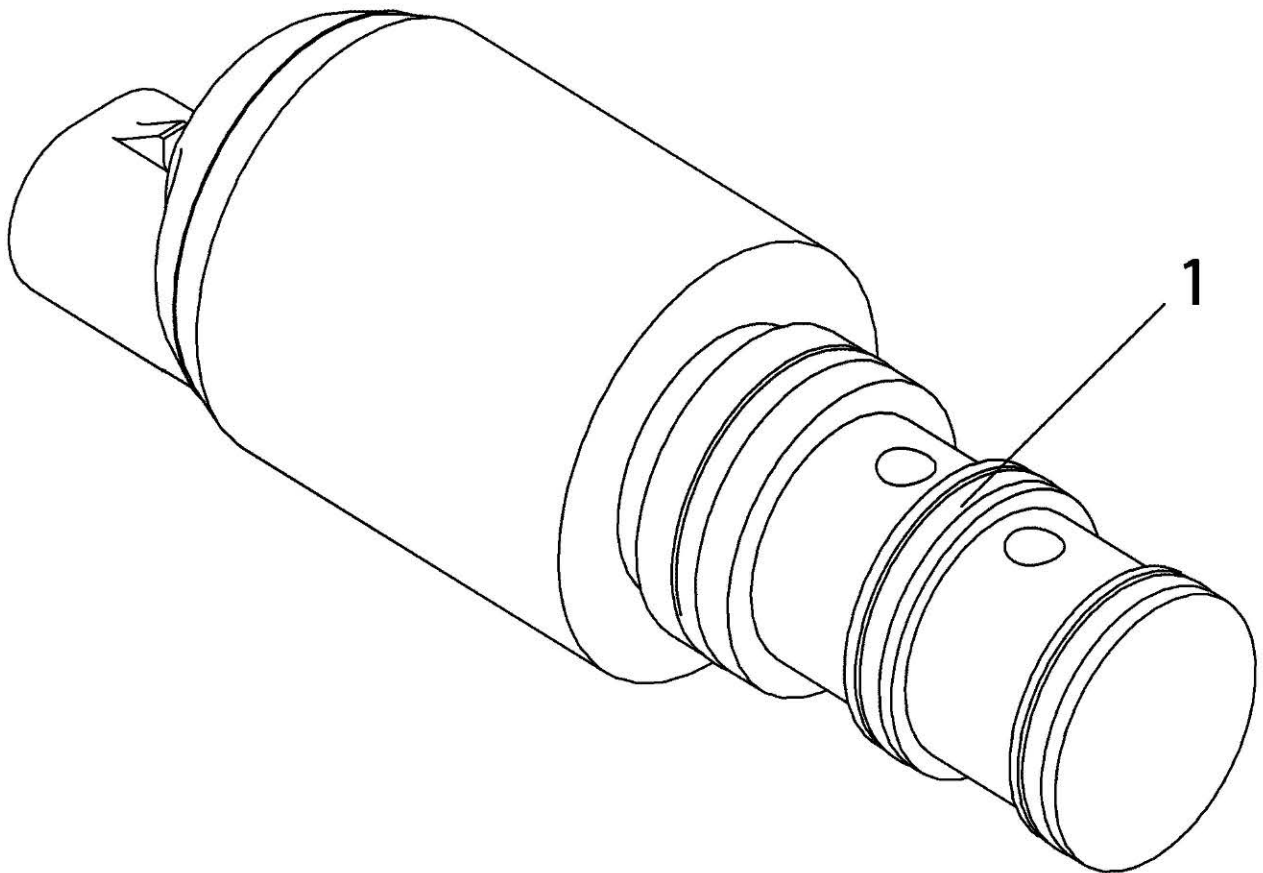
527365D1-01-V248



527365D1 - PROPORTIONAL SOLENOID KIT

ITEM	PART NUMBER	QTY	DESCRIPTION COMMENTS	TECHNICAL SPECIFICATION
1	NS	-	NON-SERVICEABLE PART	
2	NS	-	NON-SERVICEABLE PART	

527366D1-01-V227

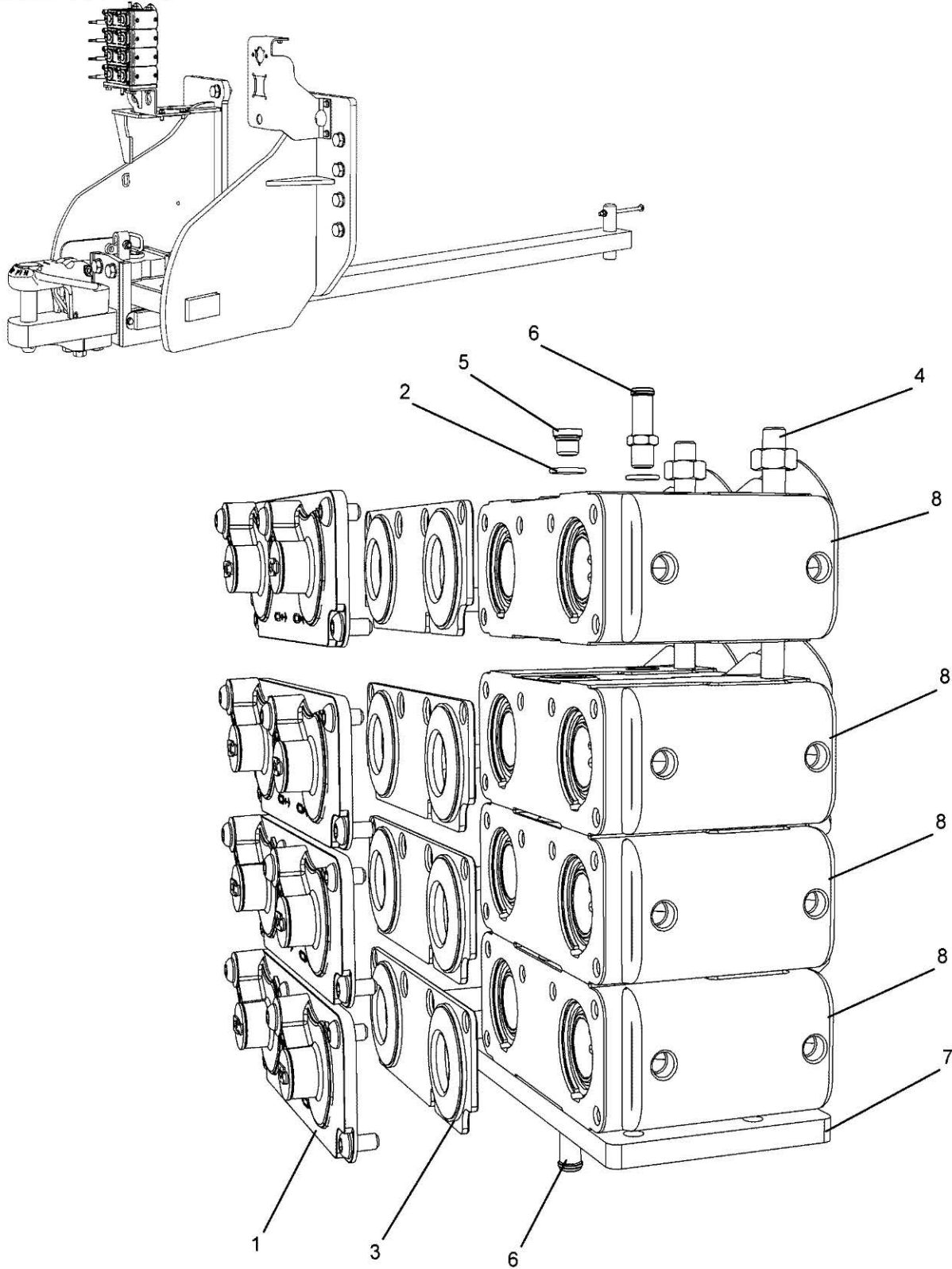


527366D1 - DIRECTIONAL SOLENOID KIT

ITEM	PART NUMBER	QTY	DESCRIPTION COMMENTS	TECHNICAL SPECIFICATION
1	532040D1	1	VALVE SEAL KIT	

522242D1 - 4 IMPLEMENT VALVE COUPLER, WITH 3 POINT HITCH

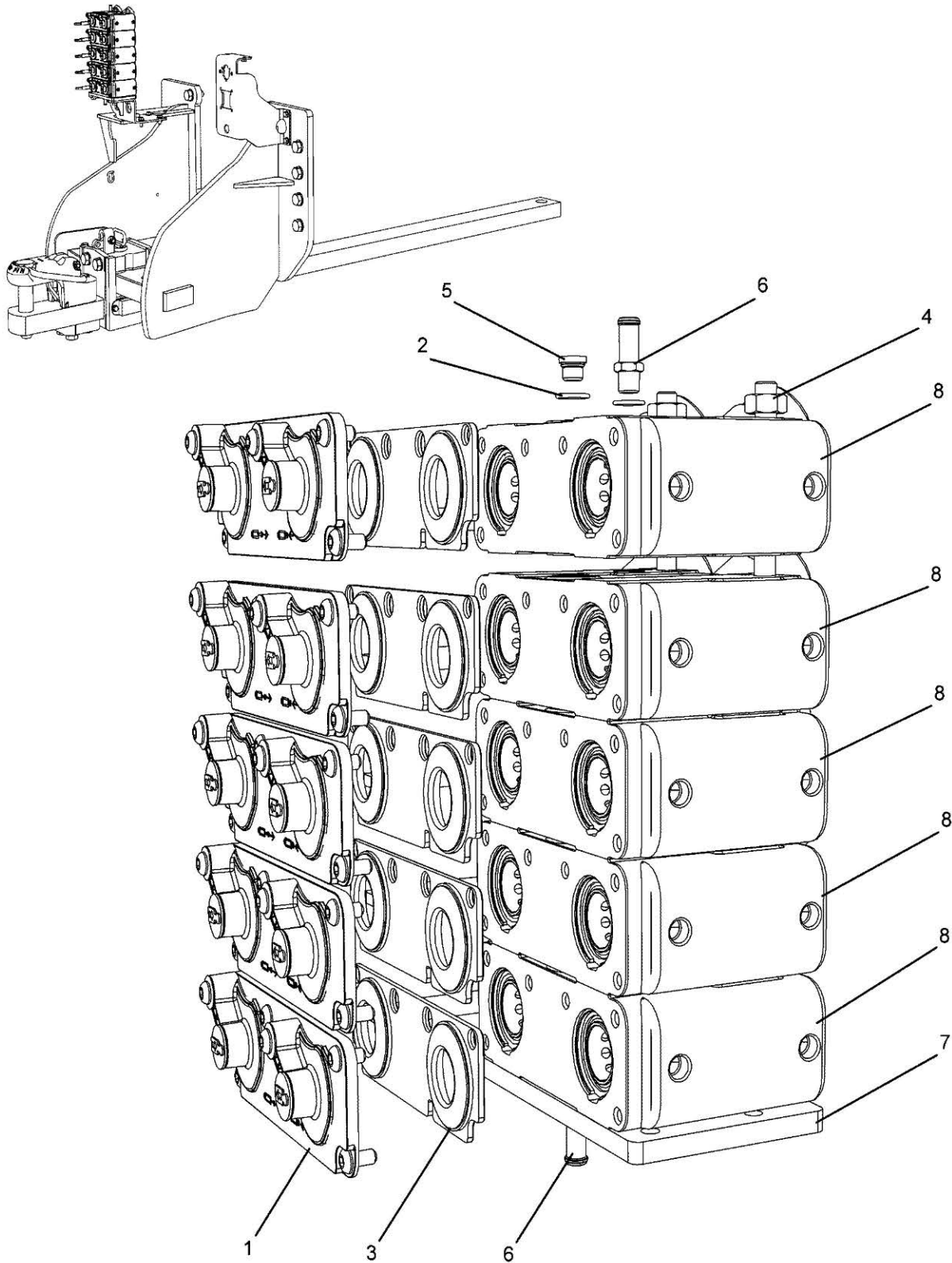
522242D1-04-W628



522242D1 - 4 IMPLEMENT VALVE COUPLER, WITH 3 POINT HITCH

ITEM	PART NUMBER	QTY	DESCRIPTION COMMENTS	TECHNICAL SPECIFICATION
1	522100D1	4	COVER KIT CAN BE PURCHASED AS A COMPLETE KIT OR SEAL KIT CAN BE PURCHASED SEPARATELY. SEE PAGE 08-0004	1/2" COUPLER
	527373D1	1	DUST SEAL	1/2"
2	527370D1	1	SEAL KIT SERVICED ONLY AS A KIT. SEE PAGE 08-0028	
3	527373D1	1	DUST SEAL SEAL KIT FOR DUST COVER.	1/2"
4	530661D1	1	TIE ROD 2 TIE ROD BOLTS SOLD AS COMPLETE KIT.	4RMT
5	401927X1	1	PLUG	2 STOR
	401928X1	1	O-RING	1/8"
6	401946X1	1	ADAPTER	1/8" NPT X 3/8" BARB
7	523319D1	1	PLATE ALTERNATOR	
8	530198D1	4	VALVE REMOTE COUPLER	
	527336D1	1	SEAL KIT	1/2"
	527335D1	1	COUPLER KIT	1/2"
	544400D1	1	SEAL KIT COUPLER INTERFACE SEAL	1/2"
	550128D1	1	COLLAR COUPLER COLLAR SEAL	
	527338D1	1	HANDLE	
	532041D1	1	SEAL KIT SEAL KIT FOR HANDLE	

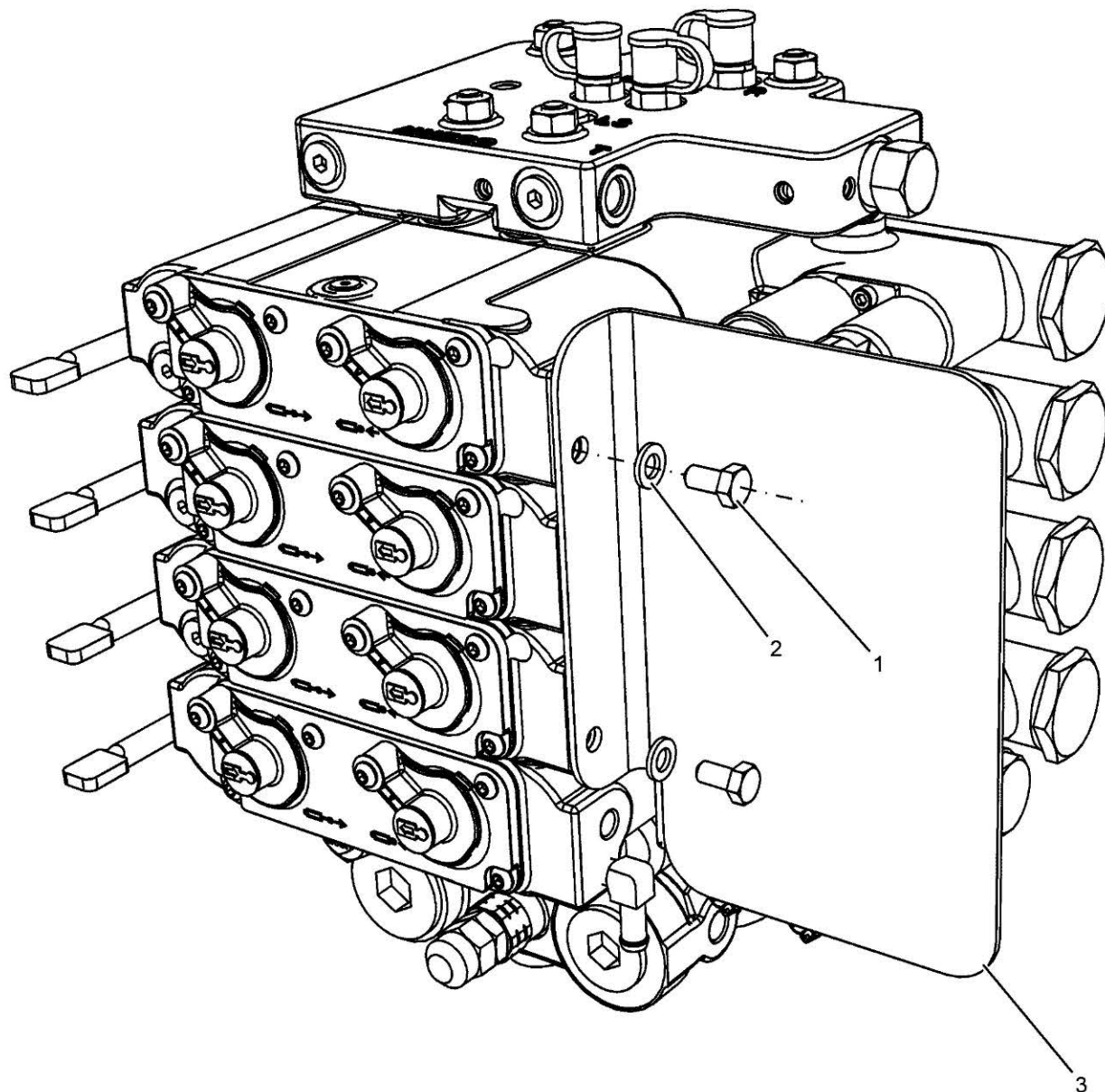
522243D1-04-W628



522243D1 - 5 IMPLEMENT VALVE COUPLER, WITH 3 POINT HITCH

ITEM	PART NUMBER	QTY	DESCRIPTION COMMENTS	TECHNICAL SPECIFICATION
1	522100D1	5	COVER KIT CAN BE PURCHASED AS A COMPLETE KIT OR DUST COVER CAN BE PURCHASED SEPARATELY. SEE PAGE 08-0004	1/2" COUPLER
	527373D1	1	DUST SEAL	1/2"
2	527370D1	1	SEAL KIT SERVICED ONLY AS A KIT. SEE PAGE 08-0028	
3	527373D1	1	DUST SEAL DUST COVER	1/2"
4	530667D1	1	TIE ROD TIE ROD BOLT SERVICED ONLY AS A KIT.	5RMT
5	401929X1	1	HEX SOCKET HEAD PLUG	5/16"-24 MORB
	401928X1	1	O-RING	1/8"
6	401946X1	1	ADAPTER	1/8" NPT X 3/8" BARB
7	523319D1	1	PLATE REMOTE COUPLER MOUNTING PLATE	
8	530198D1		VALVE REMOTE COUPLER SEE PAGE 08-0063	

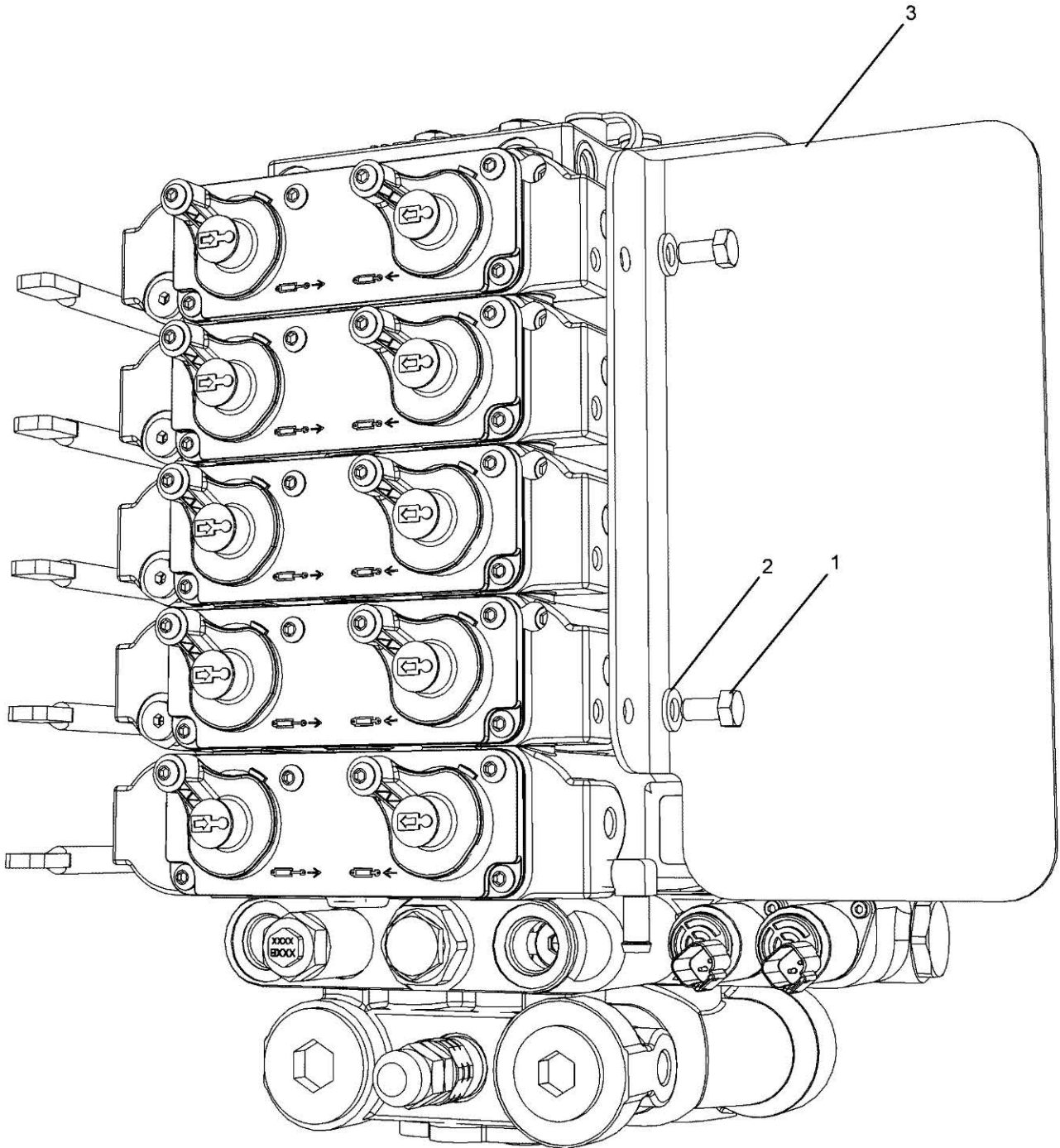
522387D1-01-T296



522387D1 - GUARD, 4 IMPLEMENT VALVES

ITEM	PART NUMBER	QTY	DESCRIPTION COMMENTS	TECHNICAL SPECIFICATION
1	400227X1	2	HEXAGONAL HEAD BOLT	M8X1.25 THD X 16 10.9
2	400339X1	2	FLAT WASHER	9MM X 16MM X 2MM
3	522368D1	1	MOUNTING BRACKET	

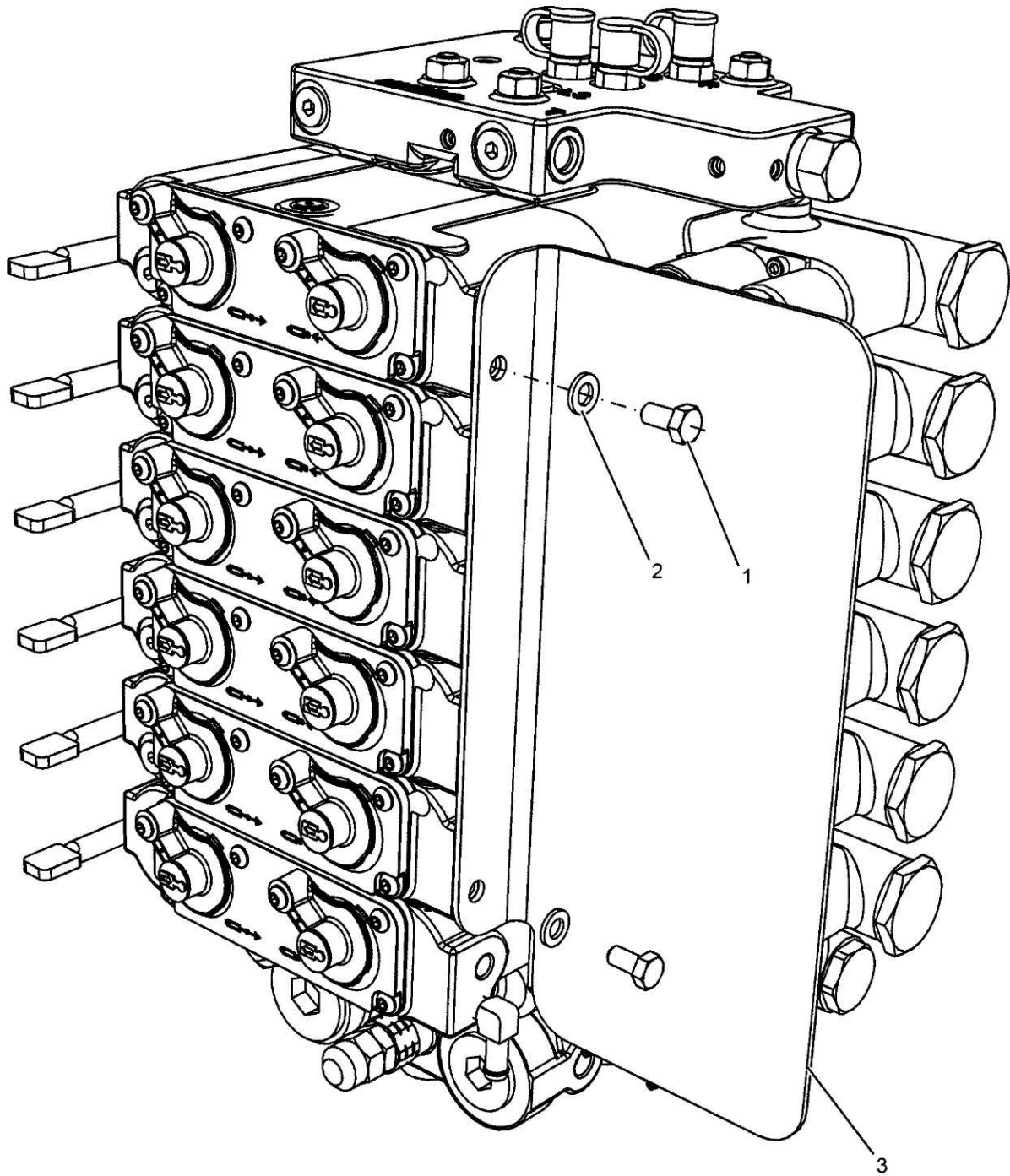
523277D1-01-T296



523277D1 - GUARD, 5 IMPLEMENT VALVES

ITEM	PART NUMBER	QTY	DESCRIPTION COMMENTS	TECHNICAL SPECIFICATION
1	400227X1	2	HEXAGONAL HEAD BOLT	M8X1.25 THD X 16 10.9
2	400339X1	2	FLAT WASHER	9MM X 16MM X 2MM
3	522370D1	1	MOUNTING BRACKET	

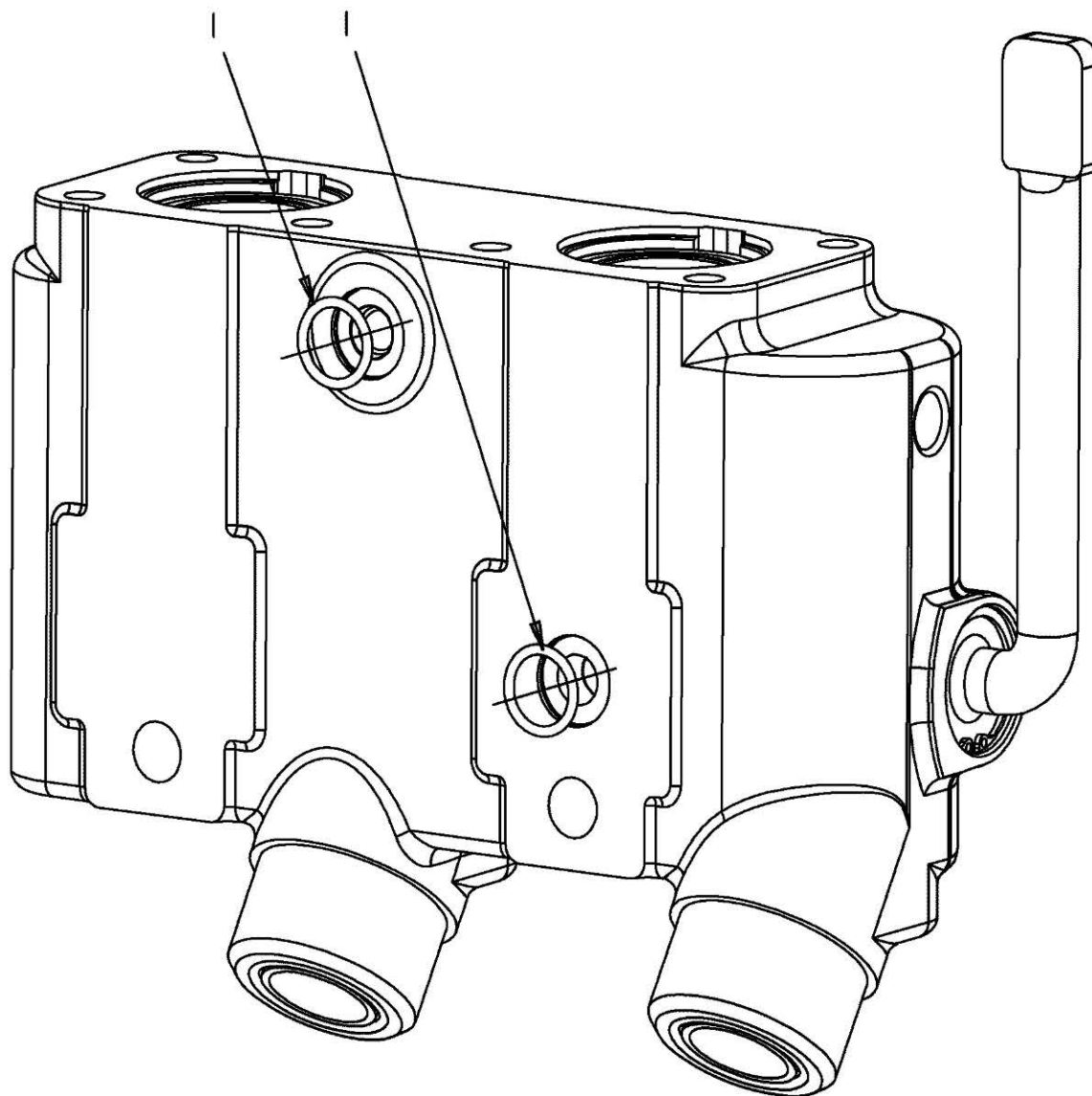
523278D1-01-T296



523278D1 - GUARD, 6 IMPLEMENT VALVES

ITEM	PART NUMBER	QTY	DESCRIPTION COMMENTS	TECHNICAL SPECIFICATION
1	400227X1	2	HEXAGONAL HEAD BOLT	M8X1.25 THD X 16 10.9
2	400339X1	2	FLAT WASHER	9MM X 16MM X 2MM
3	522346D1	1	MOUNTING BRACKET	

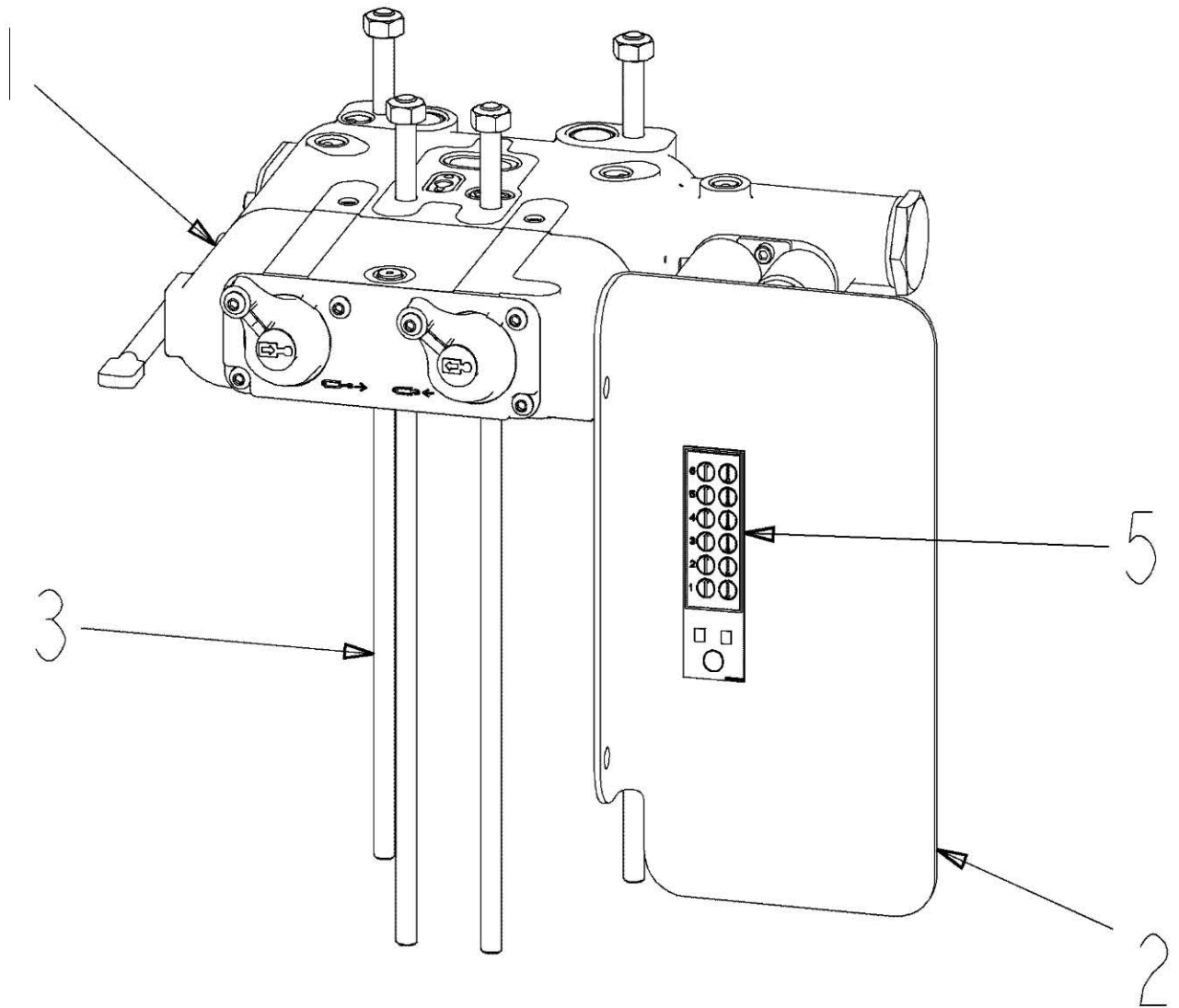
527370D1-01-V178



527370D1 - SECTION INTERFACE SEAL KIT

ITEM	PART NUMBER	QTY	DESCRIPTION COMMENTS	TECHNICAL SPECIFICATION
1	NS	2	NON-SERVICEABLE PART SOLD IN KIT FORM ONLY ORDER 527370D1	

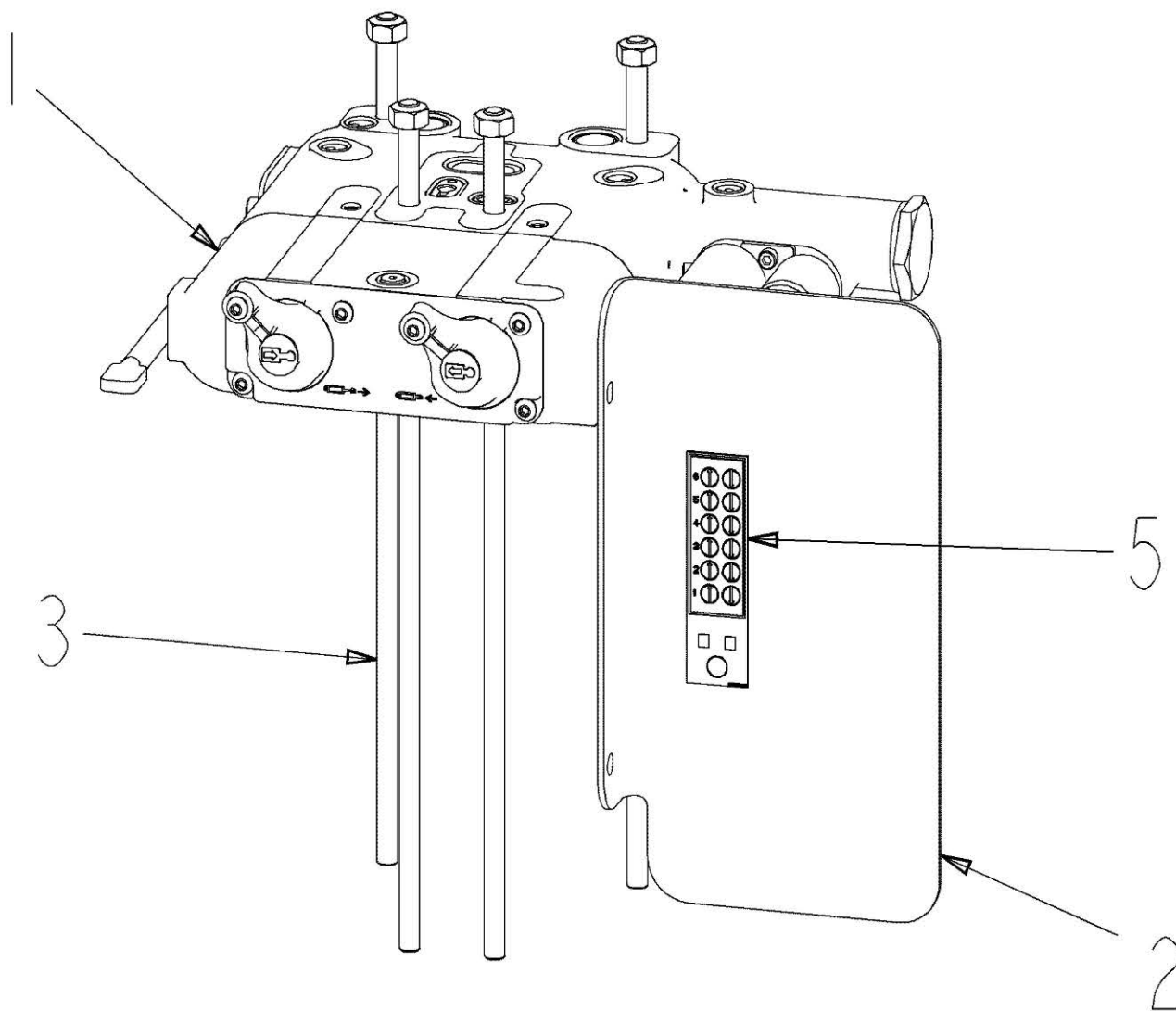
524535D1-01-V355



524535D1 - 4 TO 5 IMPLEMENT VALVE CONVERSION KIT

ITEM	PART NUMBER	QTY	DESCRIPTION COMMENTS	TECHNICAL SPECIFICATION
1	522103D1	1	HYDRAULIC VALVE IMPLEMENT, STANDARD FLOW, TOP, MIDDLE SEE PAGE 08-0034	1/2"
2	522370D1	1	MOUNTING BRACKET	
3	527358D1	1	KIT, ROD SERVICED AS A KIT ONLY.	
	527367D1		SEAL KIT NOT SHOWN PARTS ARE SUPPLIED ONLY IN KIT.	
5	529900D1	1	INFORMATIONAL DECAL HYDRAULIC COUPLERS	

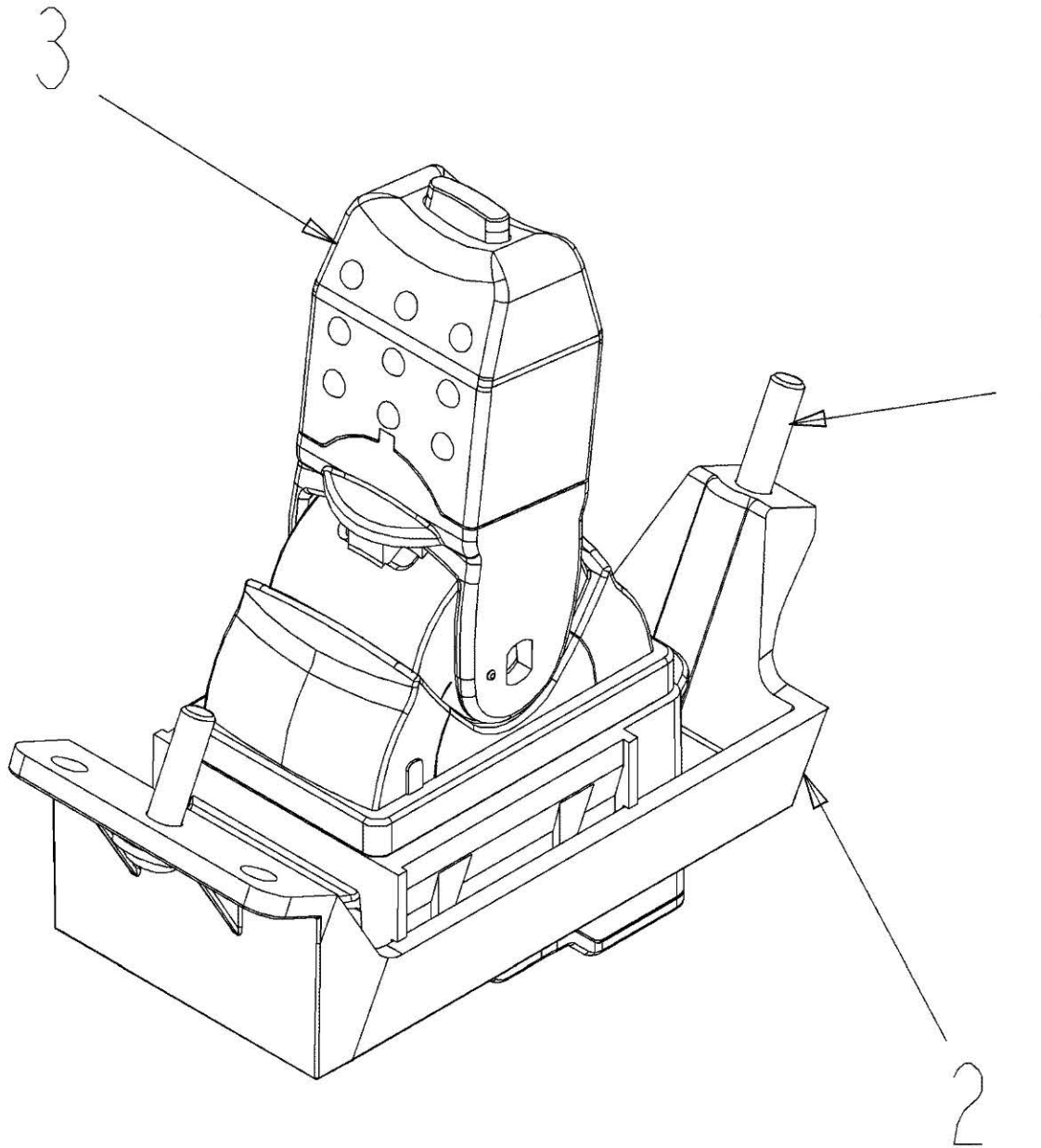
524536D1-01-V355



524536D1 - 5 TO 6 IMPLEMENT VALVE CONVERSION KIT

ITEM	PART NUMBER	QTY	DESCRIPTION COMMENTS	TECHNICAL SPECIFICATION
1	522103D1	1	HYDRAULIC VALVE IMPLEMENT, STANDARD FLOW, TOP, MIDDLE SEE PAGE 08-0034	1/2"
2	522346D1	1	MOUNTING BRACKET	
3	527360D1	1	KIT, ROD SERVICED ONLY AS A KIT.	
	527367D1		SEAL KIT PARTS ARE SUPPLIED ONLY IN KIT. NOT SHOWN	
5	529900D1	1	INFORMATIONAL DECAL HYDRAULIC COUPLERS	

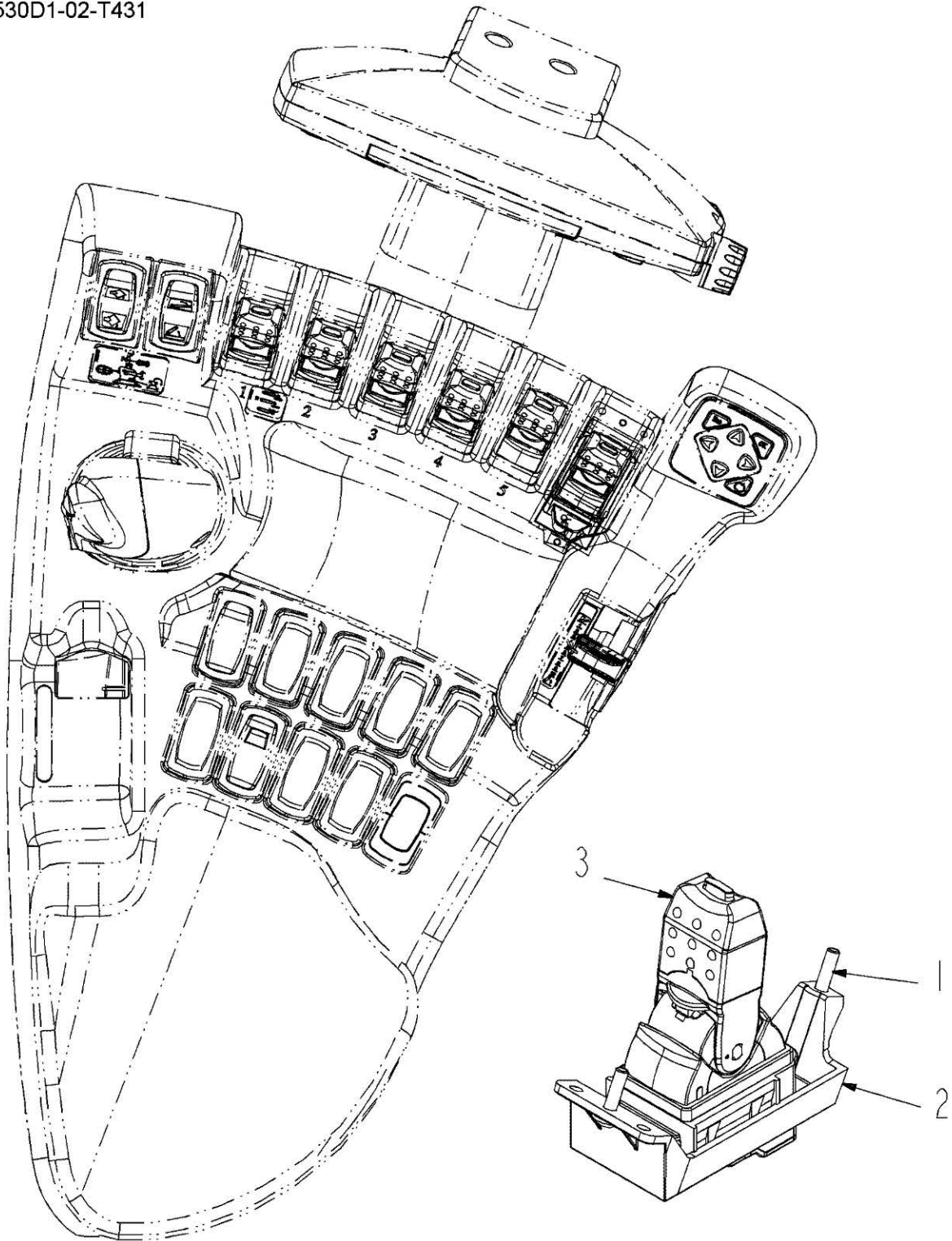
524529D1-02-T431



524529D1 - 5 IMPLEMENT CONTROL GROUP

ITEM	PART NUMBER	QTY	DESCRIPTION COMMENTS	TECHNICAL SPECIFICATION
			USED TO CONVERT 4 IMPLEMENT VALVES TO 5 VALVES	
1	4271132M1	4	SCREW	M3,5 X 14
2	4288510M1	1	SUPPORT IMPLEMENT	
3	4289763M2	1	HYDRAULIC CONTROL	

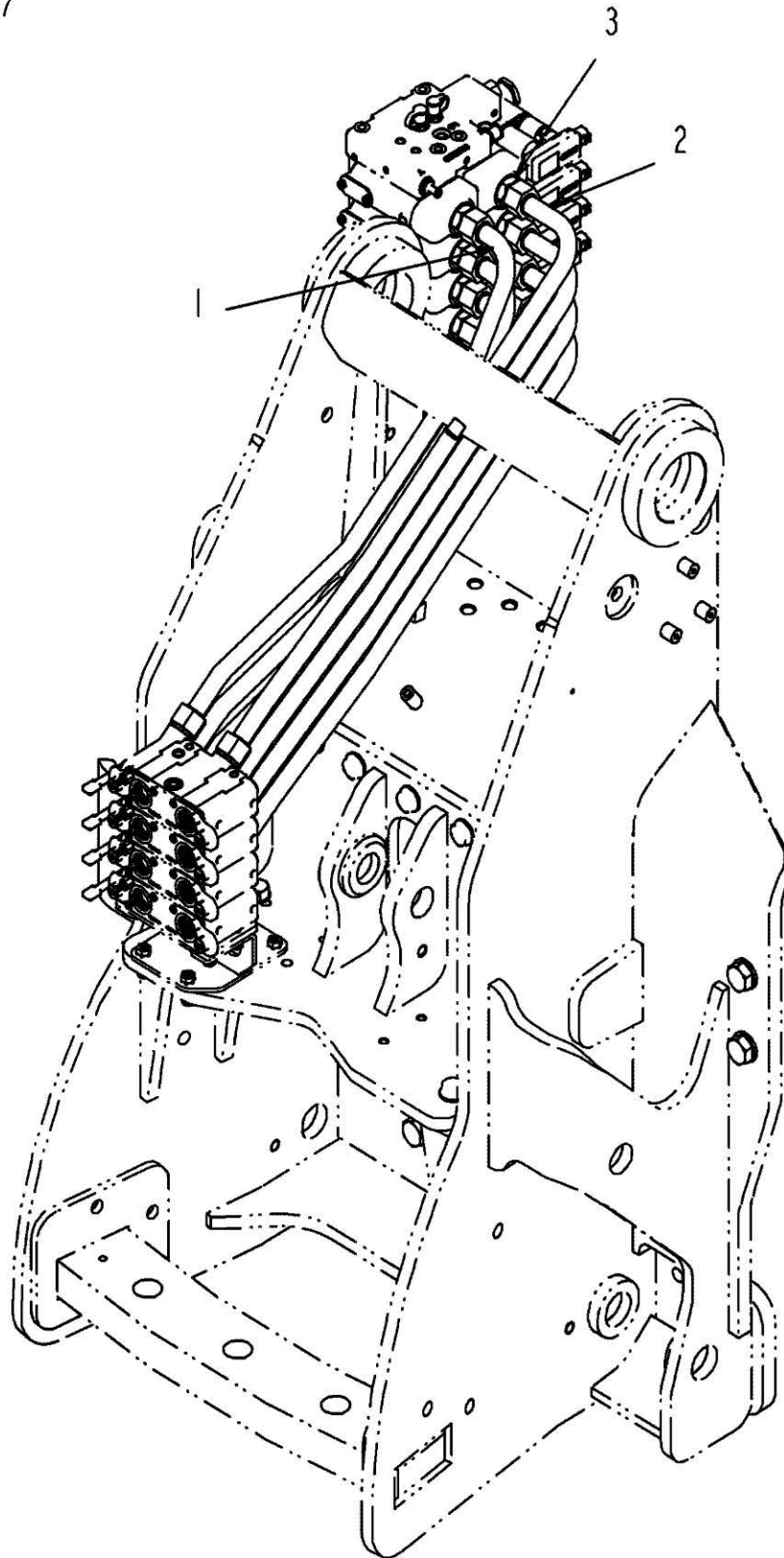
524530D1-02-T431



524530D1 - 6 IMPLEMENT CONTROL GROUP

ITEM	PART NUMBER	QTY	DESCRIPTION COMMENTS	TECHNICAL SPECIFICATION
			USED TO CONVERT 5 IMPLEMENT VALVES TO 6 VALVES	
1	4271132M1	4	SCREW	M3,5 X 14
2	4288510M1	1	SUPPORT IMPLEMENT	
3	4289763M2	1	HYDRAULIC CONTROL	

524833D1-01-T297

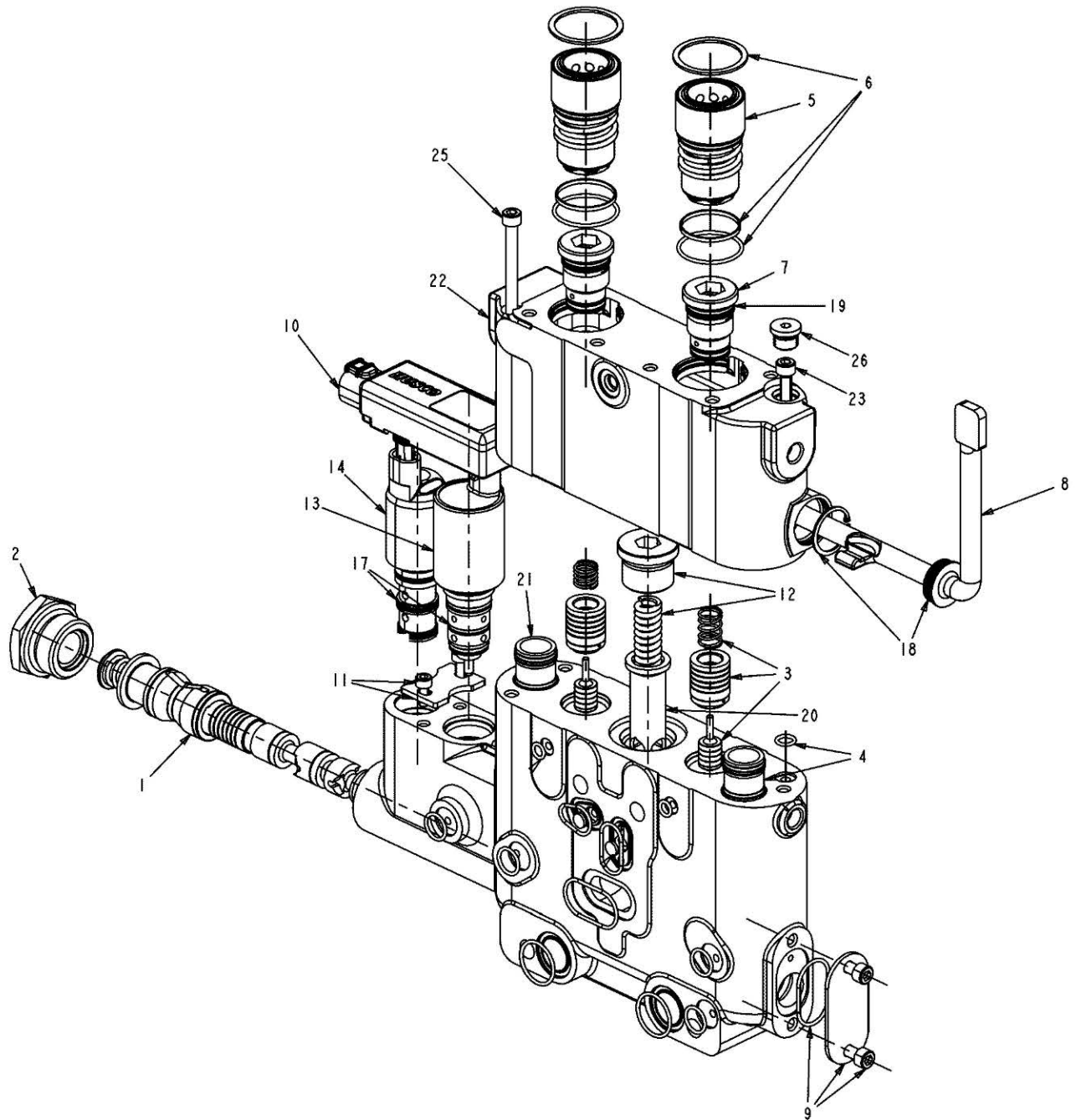


524833D1 - IMPLEMENT LINES GROUP, 4 HITCH

ITEM	PART NUMBER	QTY	DESCRIPTION COMMENTS	TECHNICAL SPECIFICATION
1	524835D1	4	TUBE IMPLEMENT EXTEND	
2	524836D1	4	TUBE RETRACT, IMPLEMENT	
3	CH148-8335	8	CONNECTOR O RING FACE SEAL	16 STOR X 16 ORFS
	400123X1	1	O-RING	27.22MM OD X 1.78MM
	400376X1	1	O-RING	29.74MM ID X 2.95MM

522103D1 - TOP AND MIDDLE 1/2 INCH IMPLEMENT VALVE ASSEMBLY

522103D1-02-W628



522103D1 - TOP AND MIDDLE 1/2 INCH IMPLEMENT VALVE ASSEMBLY

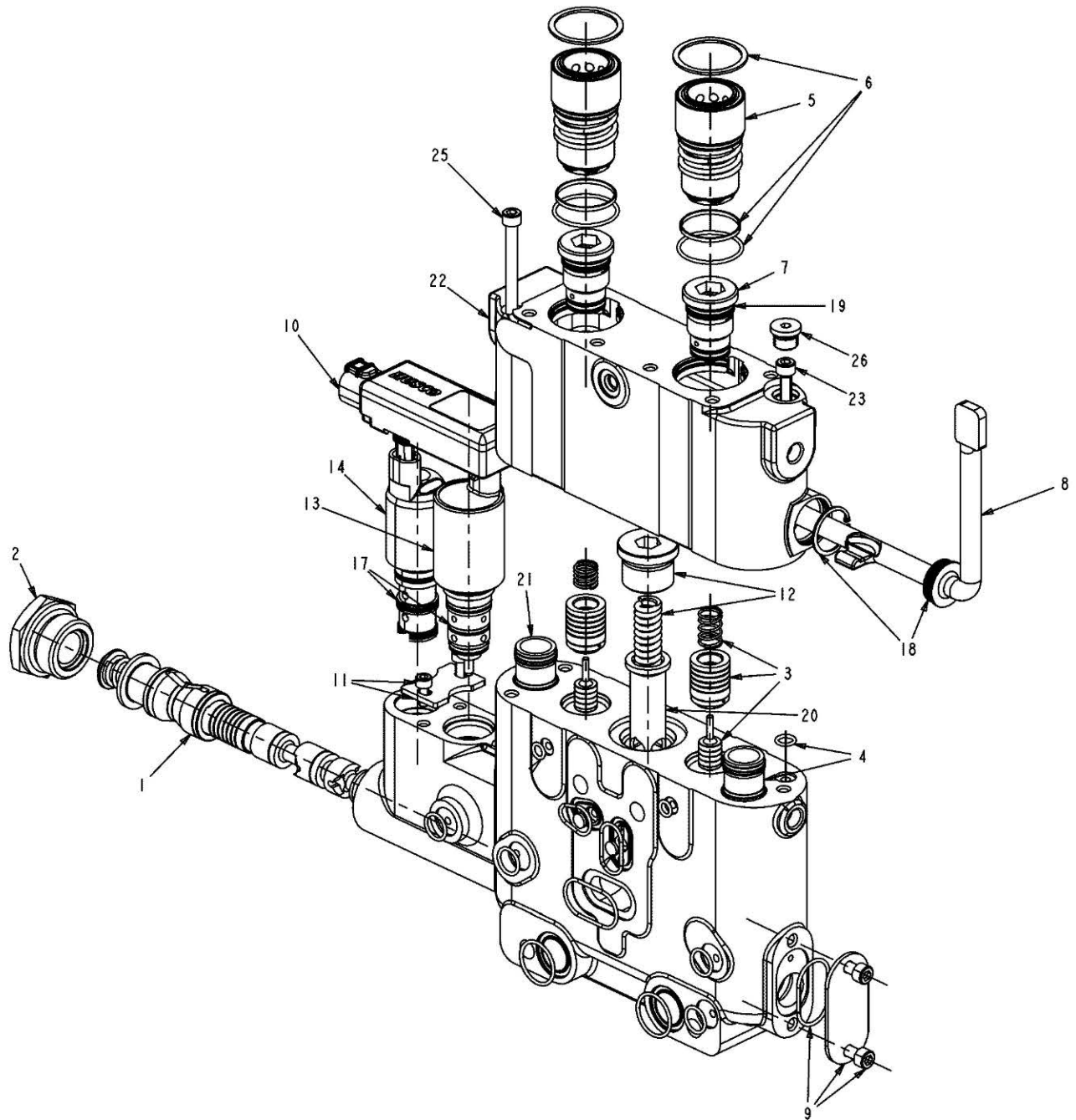
ITEM	PART NUMBER	QTY	DESCRIPTION COMMENTS	TECHNICAL SPECIFICATION
PARTS ARE SUPPLIED IN KIT FORM ONLY				
1	527309D1	1	VALVE SERVICE KIT SEE PAGE 08-0017	
2	527331D1	1	HEX HEAD PLUG	
3	543028D1	1	POPPET VALVE KIT SEE PAGE 08-0040	
4	527334D1	1	SEAL KIT SEE PAGE 08-0037	
5	527335D1	1	COUPLER KIT SERVICED ONLY AS A KIT. SEE PAGE 08-0038	1/2"
	544400D1	1	SEAL KIT SEE PAGE 08-0049	1/2"
	550128D1	1	COLLAR	
6	527336D1	1	SEAL KIT	1/2"
7	527337D1	1	RELIEF VALVE SEE PAGE 08-0043	
	532042D1	1	RELIEF VALVE SEAL KIT SEE PAGE 08-0046	
8	527338D1	1	HANDLE COUPLER SEE PAGE 08-0039	
	532041D1	1	SEAL KIT	
9	527340D1		COVER KIT PLATE	W/SEAL
10	521912D1	1	VALVE CONTROL SEE PAGE 09-0018	
	402438X1	2	SEAL	
11	527342D1		CLAMP KIT	
12	527345D1	1	SPRING KIT SEE PAGE 08-0020	
13	527365D1	1	PROPORTIONAL CARTRIDGE SEE PAGE 08-0021	3/4"
14	527366D1	1	SOLENOID DIRECTIONAL SEE PAGE 08-0022	
17	532040D1		VALVE SEAL KIT	
18	532041D1		SEAL KIT HANDLE	
19	532042D1	1	RELIEF VALVE SEAL KIT SEE PAGE 08-0046	
20	532045D1		SPOOL KIT COMPENSATOR	
21	532399D1		SLEEVE VALVE	
22	532408D1		VALVE BODY MID	
23	CH8T-0269		SOCKET HEAD BOLT	M6 X 1 X 20MM
25	401995X1		HEX SOCKET HEAD BOLT	M6 X 1 X 85MM

08-0034

HYDRAULIC SYSTEM

522103D1 - TOP AND MIDDLE 1/2 INCH IMPLEMENT VALVE ASSEMBLY

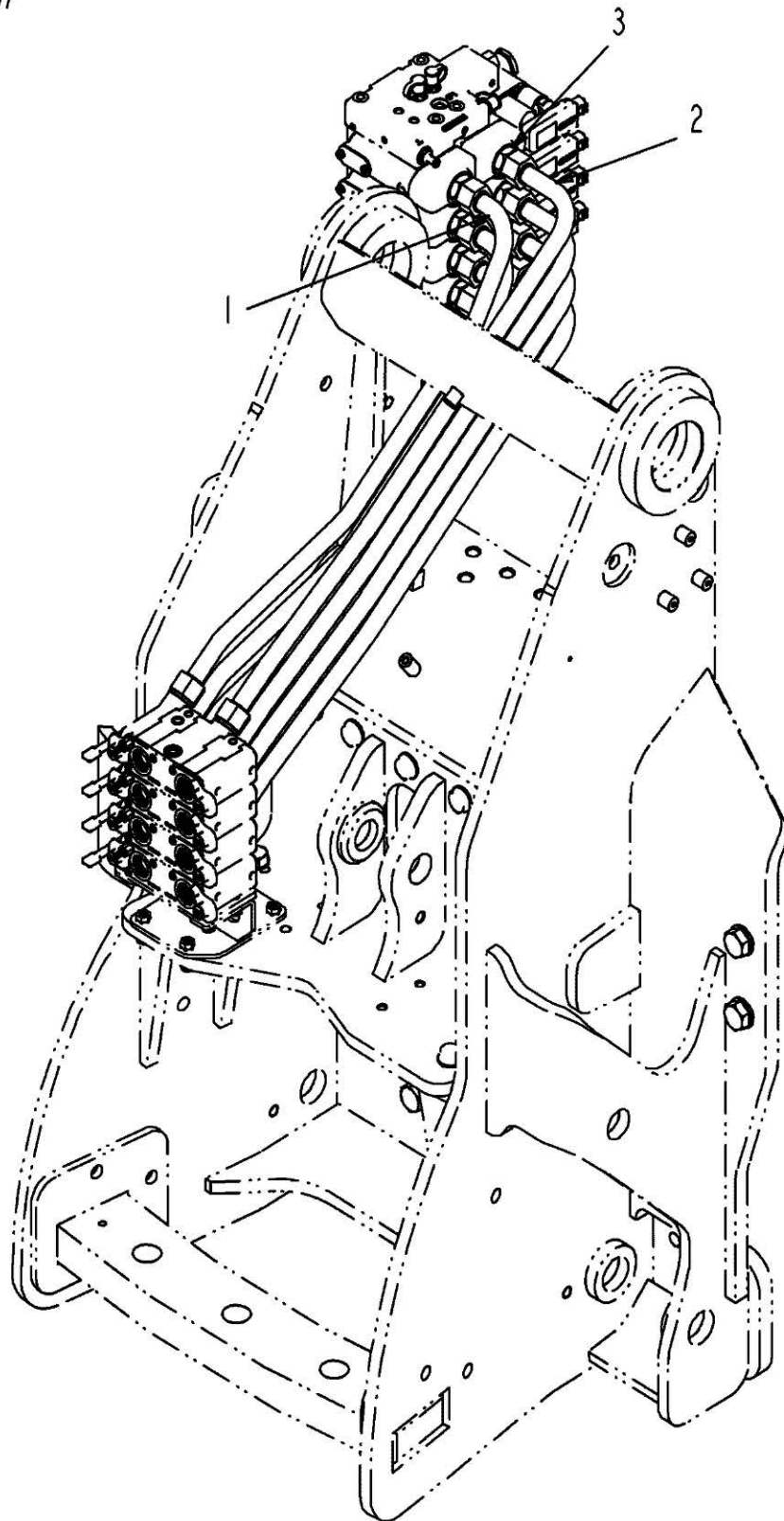
522103D1-02-W628



522103D1 - TOP AND MIDDLE 1/2 INCH IMPLEMENT VALVE ASSEMBLY

ITEM	PART NUMBER	QTY	DESCRIPTION COMMENTS	TECHNICAL SPECIFICATION
26	502642D1	1	PLUG	AS.-1/2-20 HX SOCKE
	CH1J-9671	1	O-RING	10.52MM ID X 1.83MM

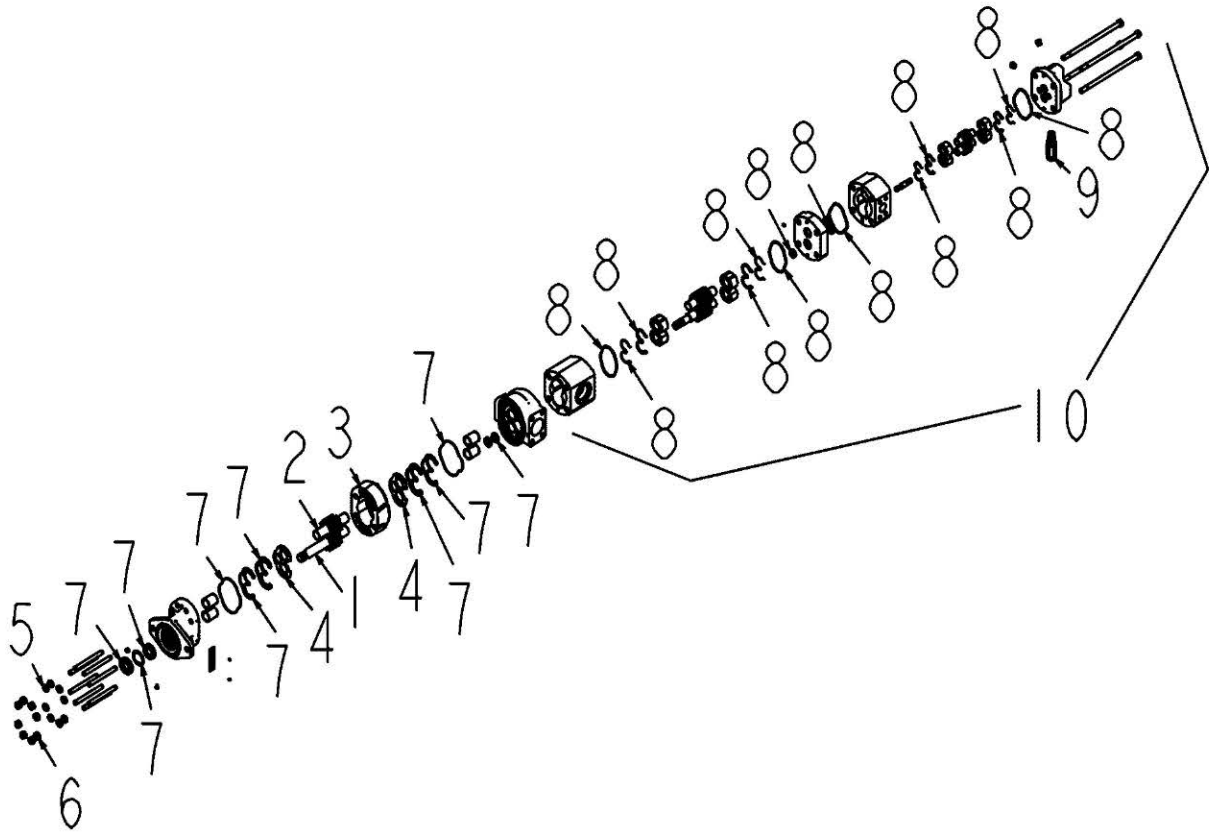
524834D1-01-T297



524834D1 - IMPLEMENT LINES GROUP, 5 HITCH

ITEM	PART NUMBER	QTY	DESCRIPTION COMMENTS	TECHNICAL SPECIFICATION
1	524835D1	5	TUBE IMPLEMENT EXTEND	
2	524836D1	5	TUBE RETRACT, IMPLEMENT	
3	CH148-8335	10	CONNECTOR O RING FACE SEAL	16 STOR X 16 ORFS
	400123X1	1	O-RING	27.22MM OD X 1.78MM
	400376X1	1	O-RING	29.74MM ID X 2.95MM

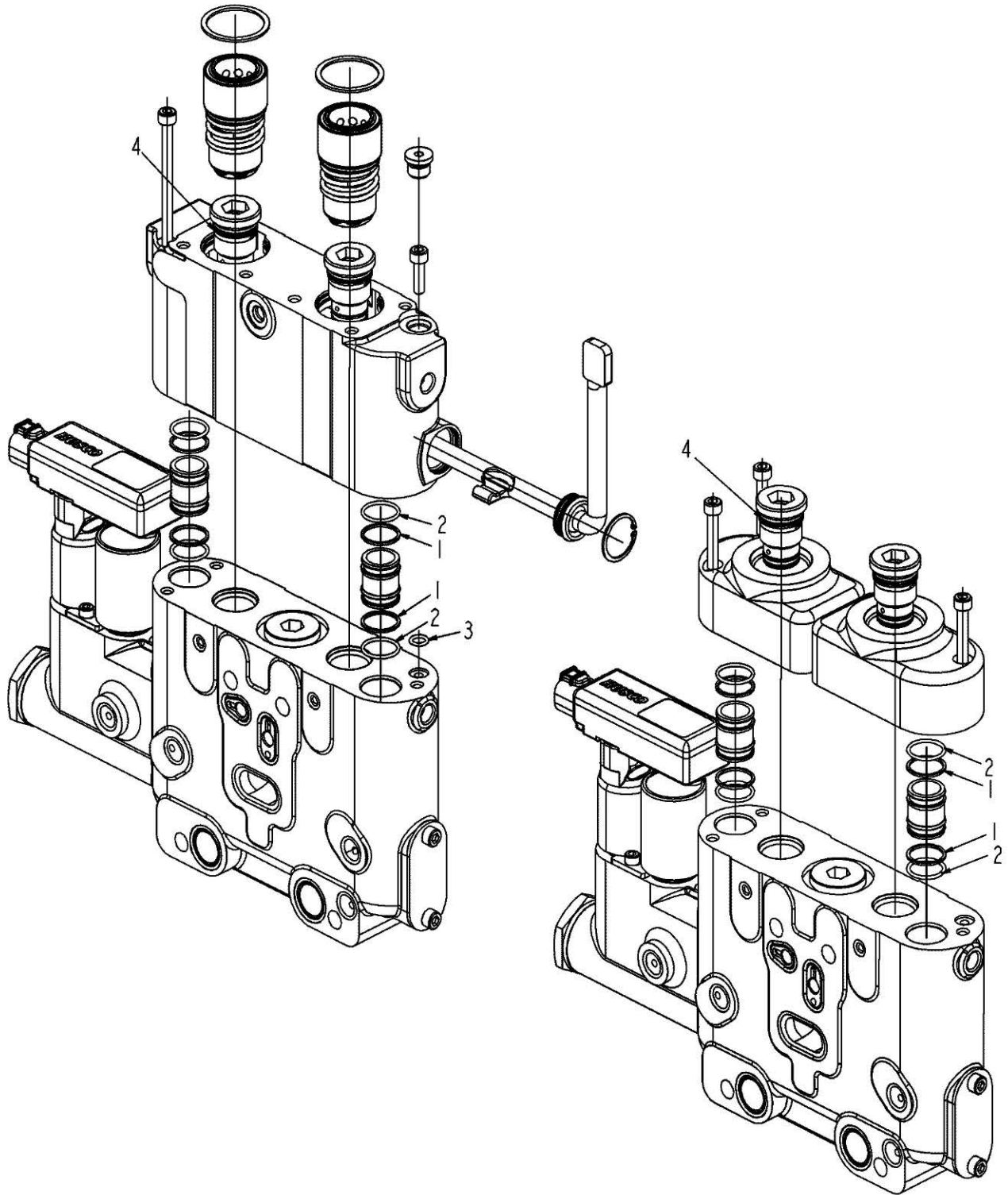
526310D1-02-W376



526310D1 - HYDRAULIC PUMP, TRIPLE

ITEM	PART NUMBER	QTY	DESCRIPTION COMMENTS	TECHNICAL SPECIFICATION
1	526584D1	1	GEAR DRIVE	
2	526583D1	1	DRIVE GEAR	
3	526582D1	1	CENTRE CENTER	
4	526581D1	2	PRESSURE PLATE	
5	AG550558	8	LOCK WASHER	7/16"
6	WR11522	8	HEXAGONAL HEAD BOLT	7/16"-20
7	525835D1	1	SEAL KIT	
8	526580D1	1	SEAL KIT	
9	AG132905	1	RELIEF VALVE	
	AG716810	1	SEAL KIT	
10	526594D1	1	PUMP	

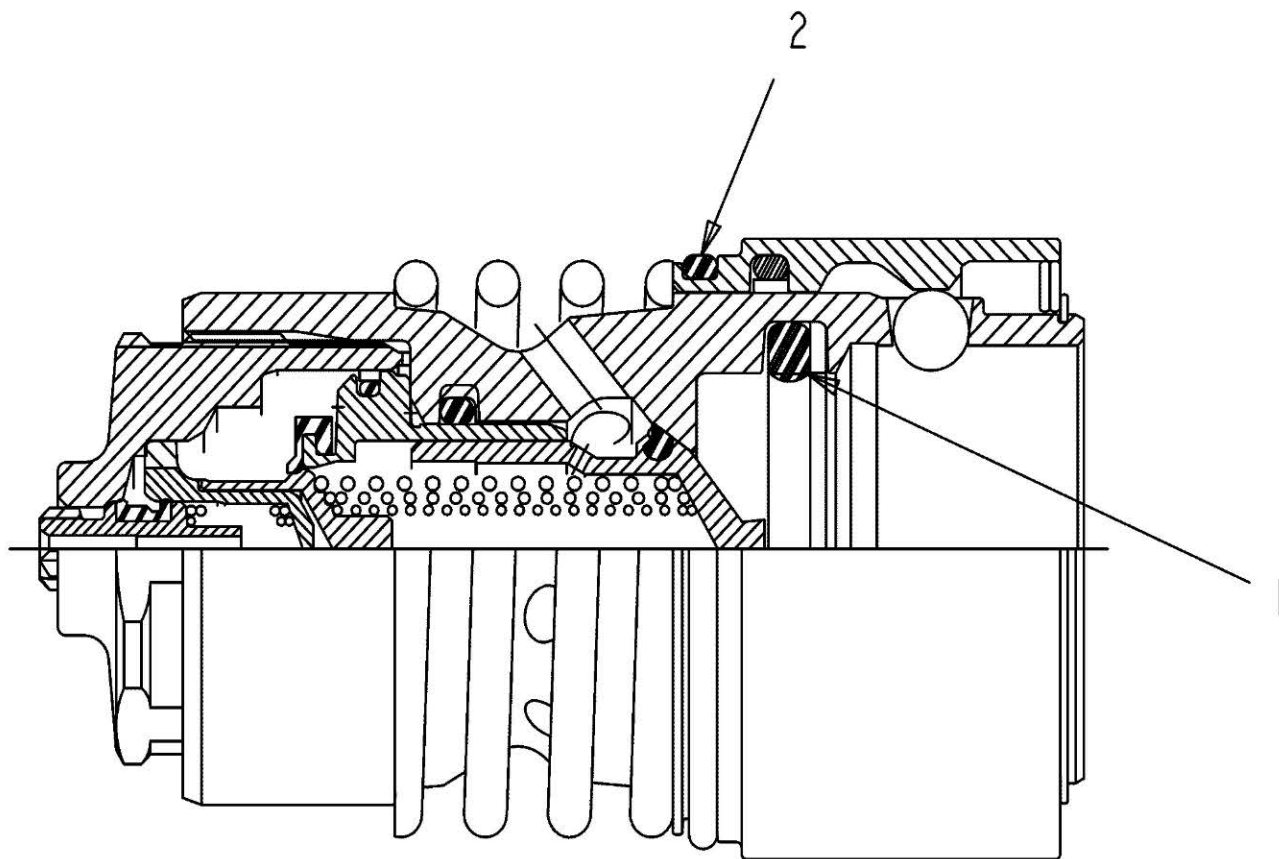
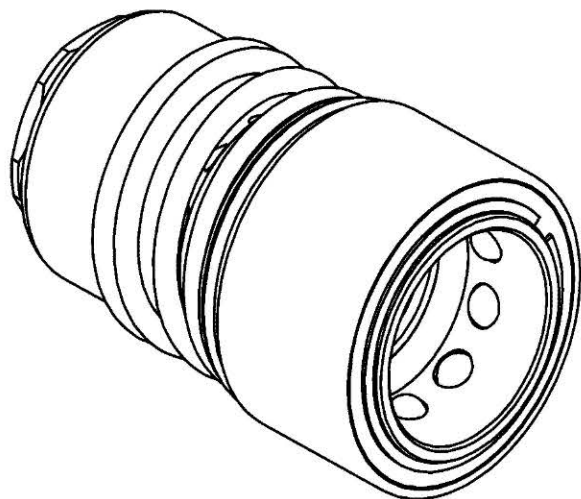
527334D1-02-V378



527334D1 - COUPLER INTERFACE SEAL KIT

ITEM	PART NUMBER	QTY	DESCRIPTION COMMENTS	TECHNICAL SPECIFICATION
1	NS	-	NON-SERVICEABLE PART	
2	NS	-	NON-SERVICEABLE PART	
3	NS	-	NON-SERVICEABLE PART	
4	NS	1	NON-SERVICEABLE PART	

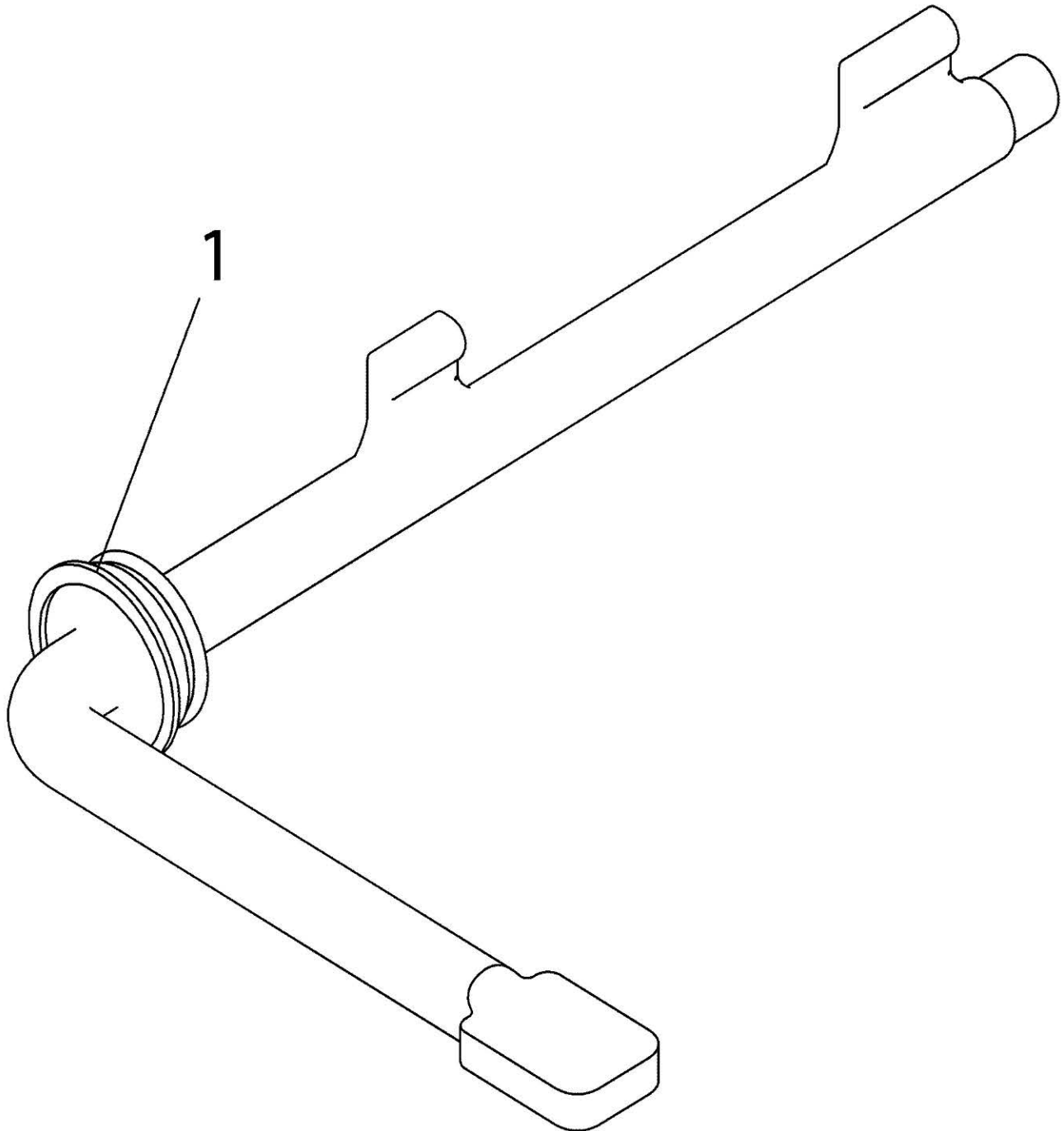
527335D1-3-Y255



527335D1 - COUPLER KIT, .050 INCH

ITEM	PART NUMBER	QTY	DESCRIPTION COMMENTS	TECHNICAL SPECIFICATION
1	544400D1	1	SEAL KIT COUPLER INTERFACE SEE PAGE 08-0049	1/2"
2	550128D1	1	COLLAR COLLAR SEAL	

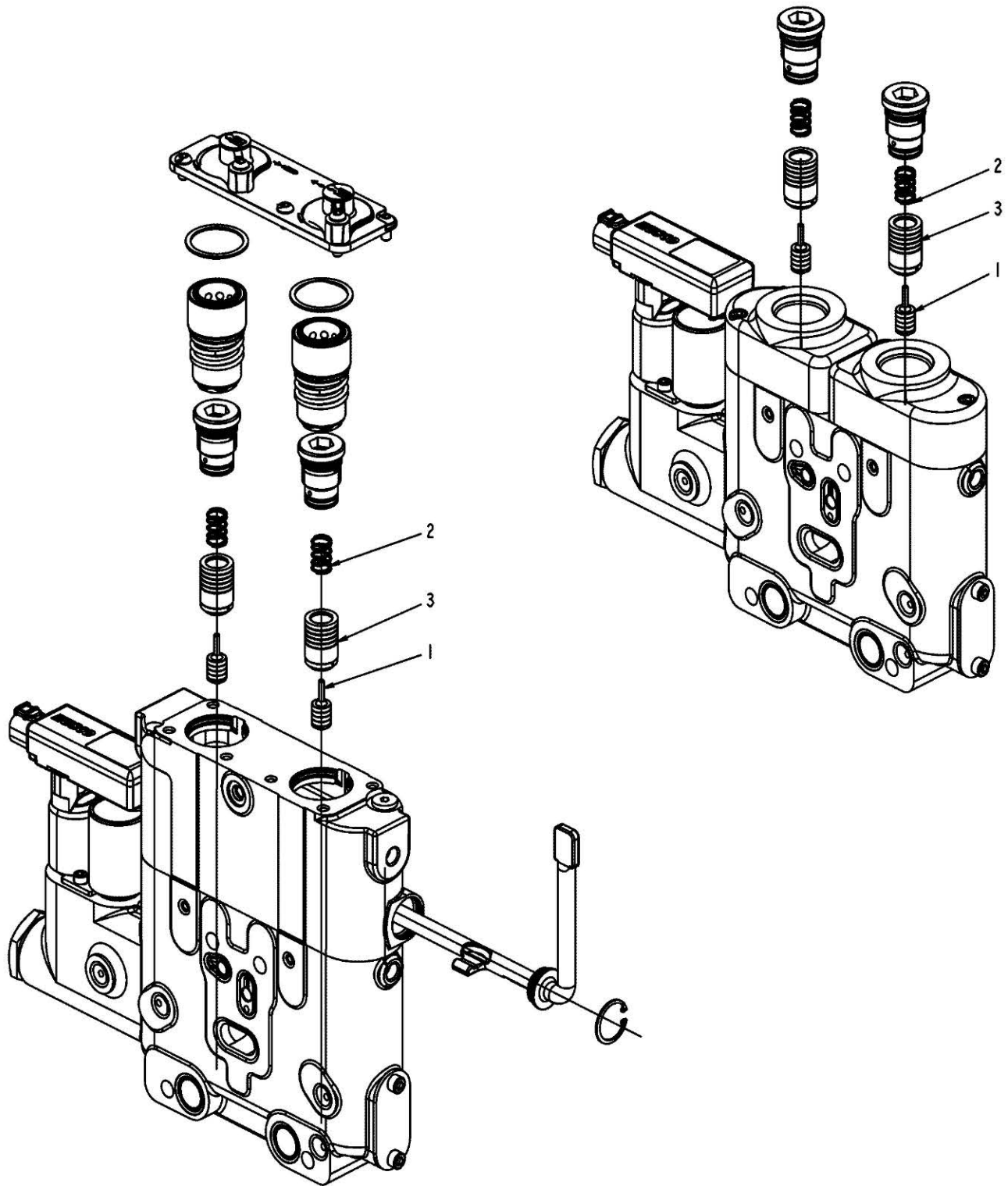
527338D1-01-V227



527338D1 - HANDLE KIT

ITEM	PART NUMBER	QTY	DESCRIPTION COMMENTS	TECHNICAL SPECIFICATION
1	532041D1	1	SEAL KIT HANDLE	

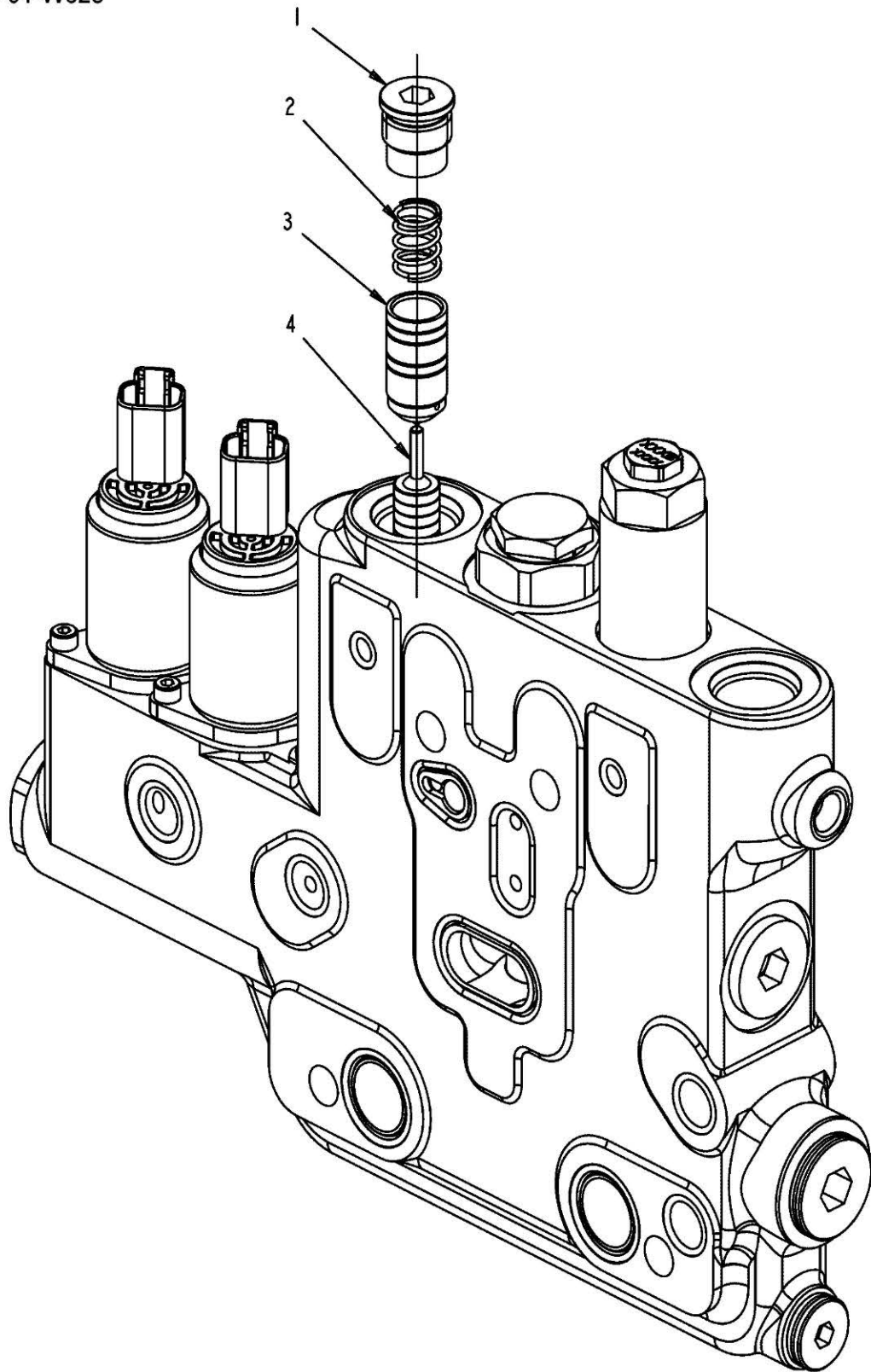
543028D1-01-W628



543028D1 - POPPET VALVE KIT

ITEM	PART NUMBER	QTY	DESCRIPTION COMMENTS	TECHNICAL SPECIFICATION
1	NS	1	NON-SERVICEABLE PART	
2	NS	1	NON-SERVICEABLE PART	
3	NS	1	NON-SERVICEABLE PART	

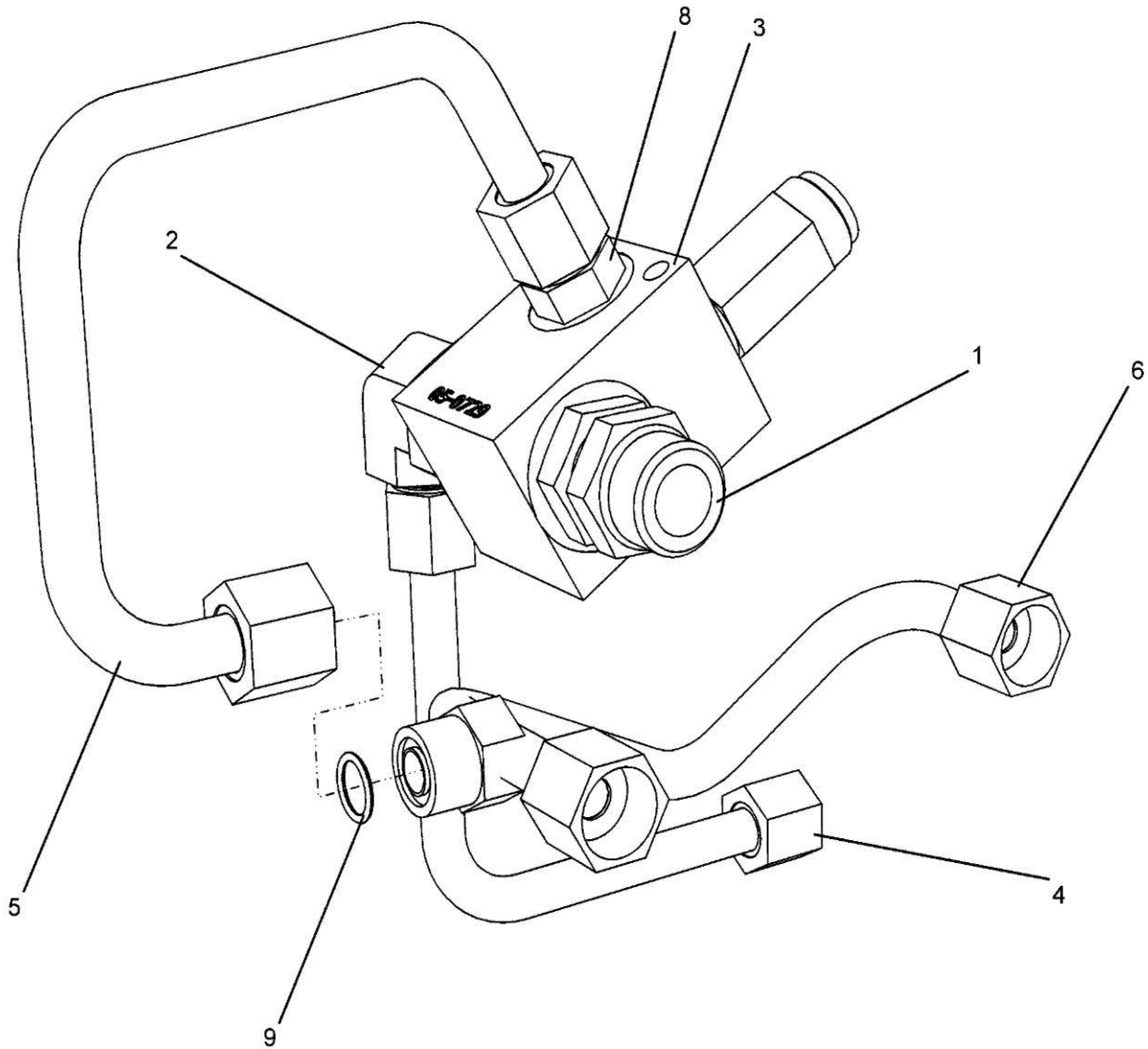
543027D1-01-W628



543027D1 - POPPET VALVE KIT, HITCH

ITEM	PART NUMBER	QTY	DESCRIPTION COMMENTS	TECHNICAL SPECIFICATION
1	NS	1	NON-SERVICEABLE PART PLUG - SAE, SPECIAL	
2	NS	1	NON-SERVICEABLE PART SPRING	
3	NS	1	NON-SERVICEABLE PART LOCKOUT VALVE ASSEMBLY	
4	NS	1	NON-SERVICEABLE PART PISTON	

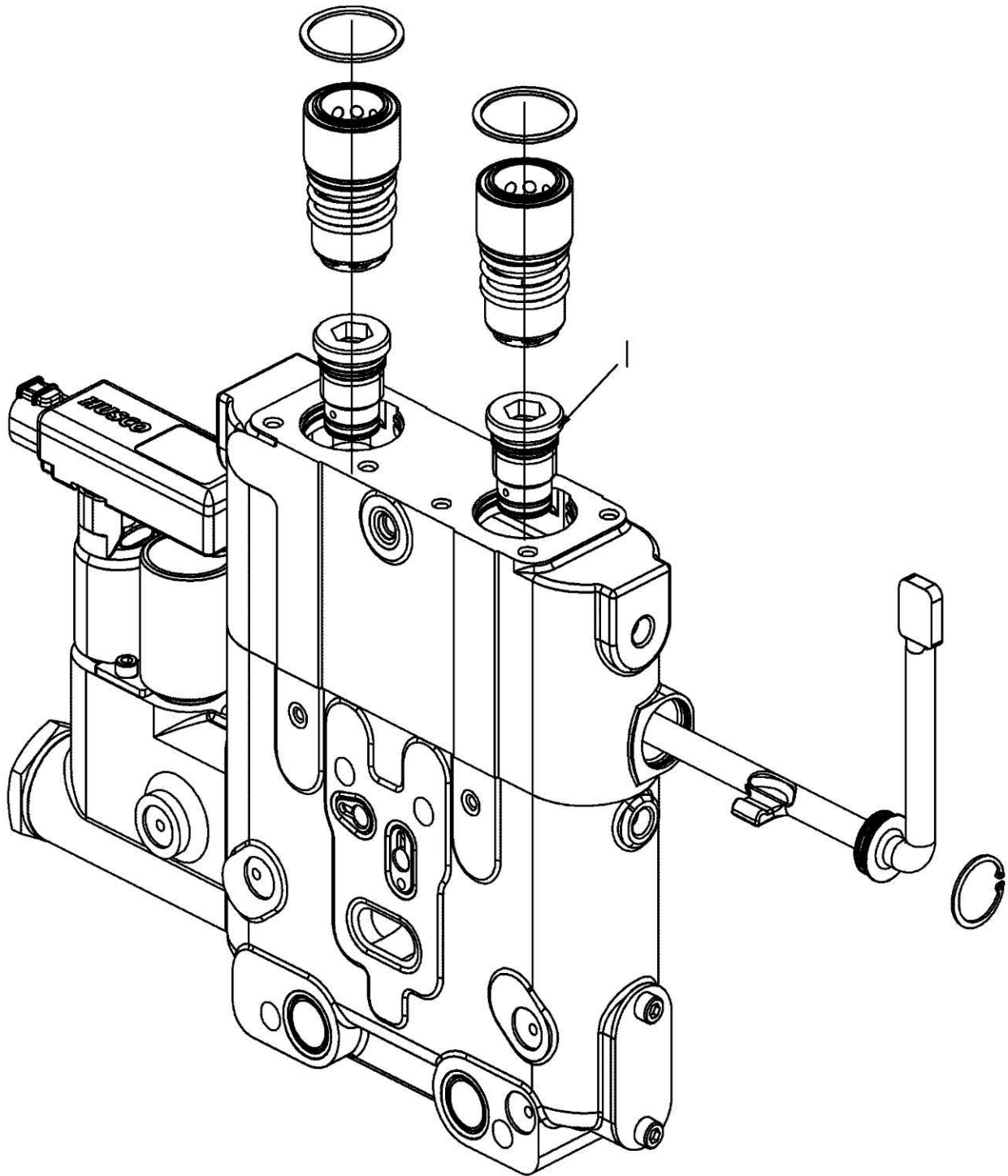
526312D1-01-T402



526312D1 - RELIEF VALVE KIT

ITEM	PART NUMBER	QTY	DESCRIPTION COMMENTS	TECHNICAL SPECIFICATION
			APPLIES TO ALL TRACTORS WITH PUMP 505642D1.	
1	AG517762	1	UNION	
2	512771D1	1	ELBOW FITTING	-12STOR X-8ORFS, 90D
	CH6V-8398	1	O-RING	16.03MM OD X 1.78MM
	400416X1	1	O-RING	23.47MM ID X 2.95MM
3	526284D1	1	RELIEF VALVE	
4	526286D1	1	TUBE RELIEF VALVE	
5	526287D1	1	TUBE RELIEF VALVE	
6	526288D1	1	TUBE RELIEF VALVE	
8	CH148-8340	1	CONNECTOR	08 ORFS X 08 STOR
	CH6V-8398	1	O-RING	16.03MM OD X 1.78MM
	CH3K-0360	1	O-RING	16.36MM ID X 2.21MM
9	CH6V-8398	1	O-RING	16.03MM OD X 1.78MM

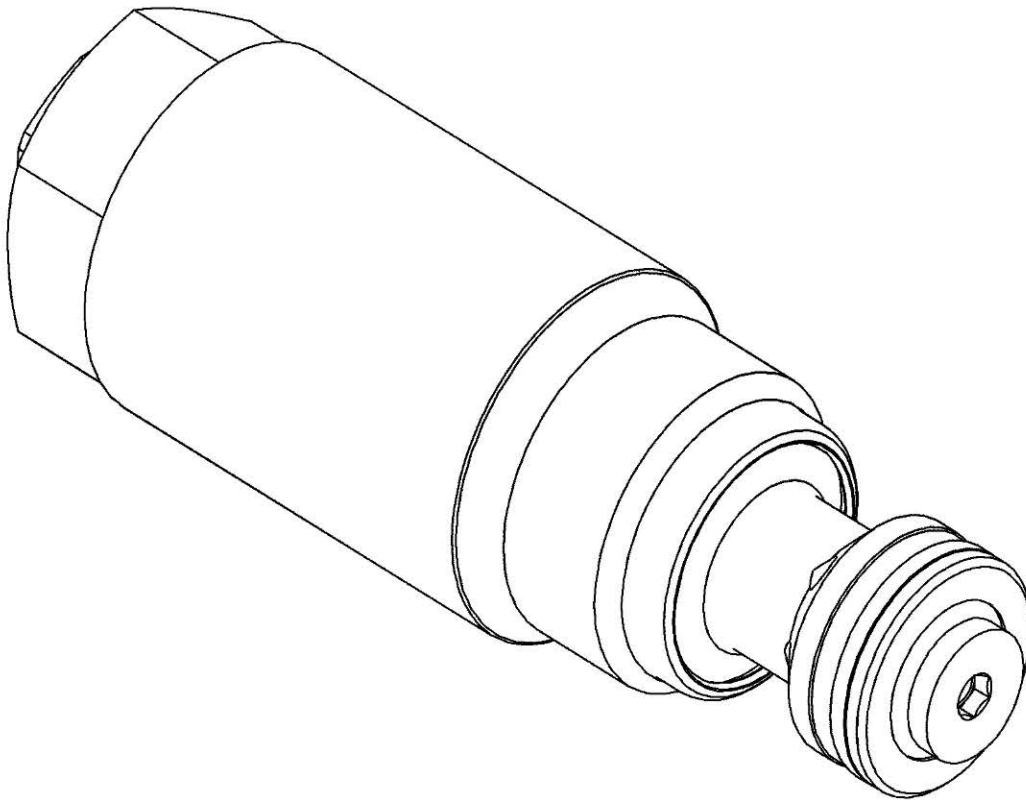
527337D1-01-V248



527337D1 - RELIEF VALVE KIT

ITEM	PART NUMBER	QTY	DESCRIPTION COMMENTS	TECHNICAL SPECIFICATION
1	527337D1	1	RELIEF VALVE	
	532042D1	1	RELIEF VALVE SEAL KIT	

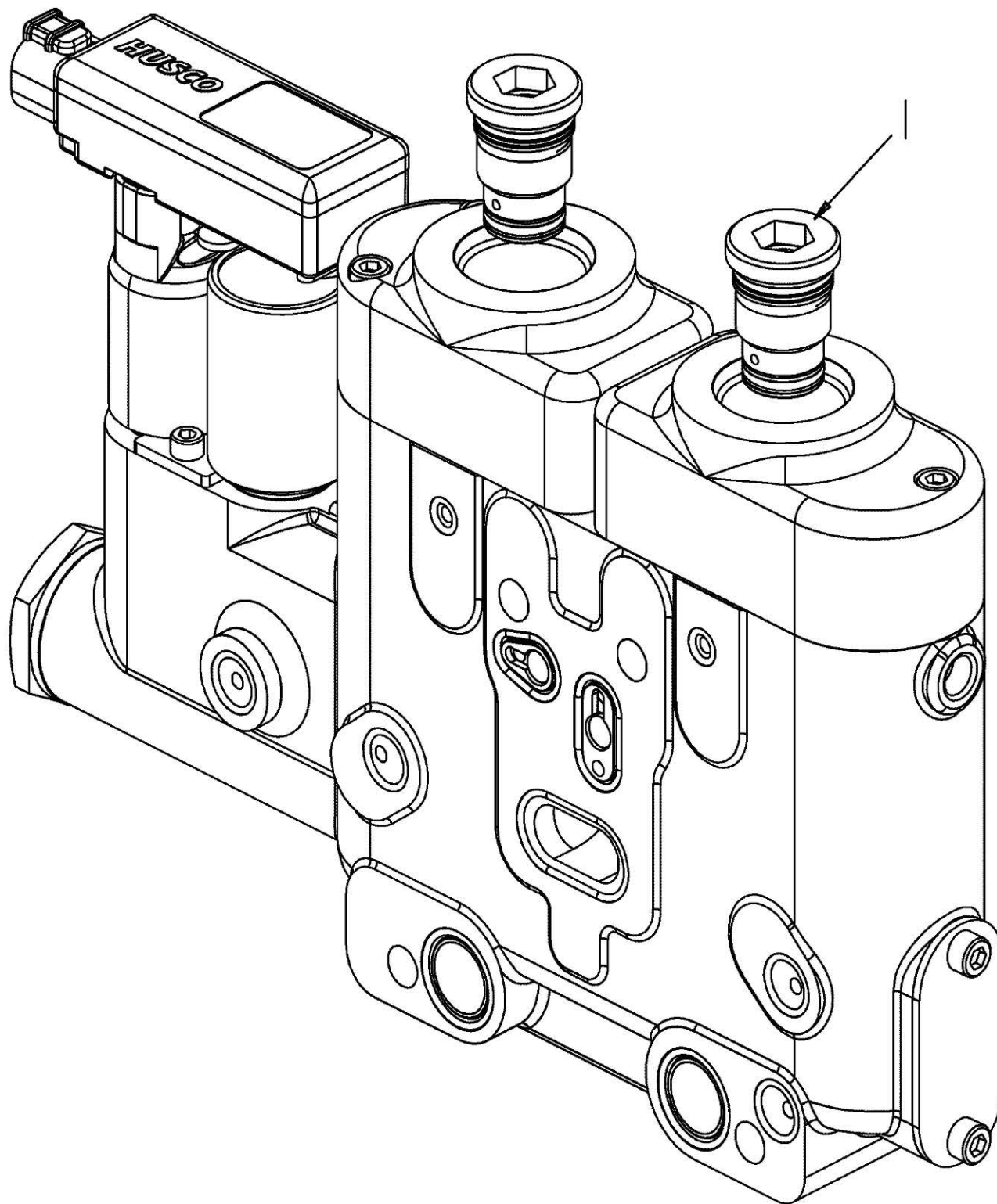
527323D1-01-V248



527323D1 - RELIEF VALVE KIT

ITEM	PART NUMBER	QTY	DESCRIPTION COMMENTS	TECHNICAL SPECIFICATION
	532038D1	-	SEAL KIT RELIEF VALVE	

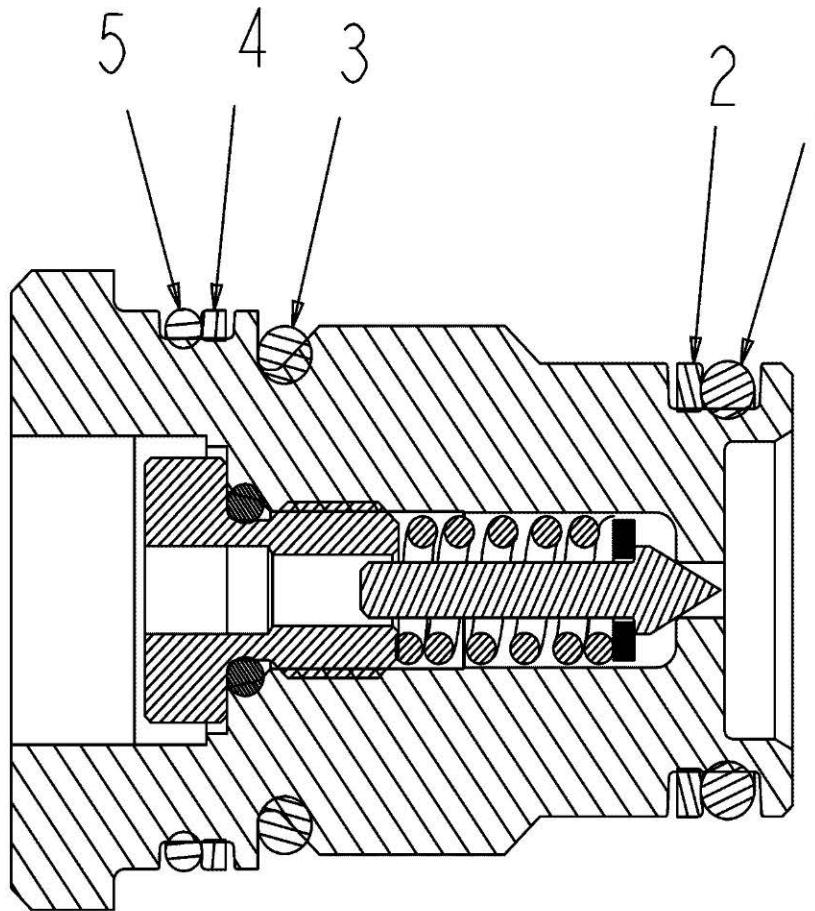
532449D1-01-V248



532449D1 - RELIEF VALVE KIT

ITEM	PART NUMBER	QTY	DESCRIPTION COMMENTS	TECHNICAL SPECIFICATION
1	532042D1	1	RELIEF VALVE SEAL KIT RELIEF VALVE SEE PAGE 08-0046	

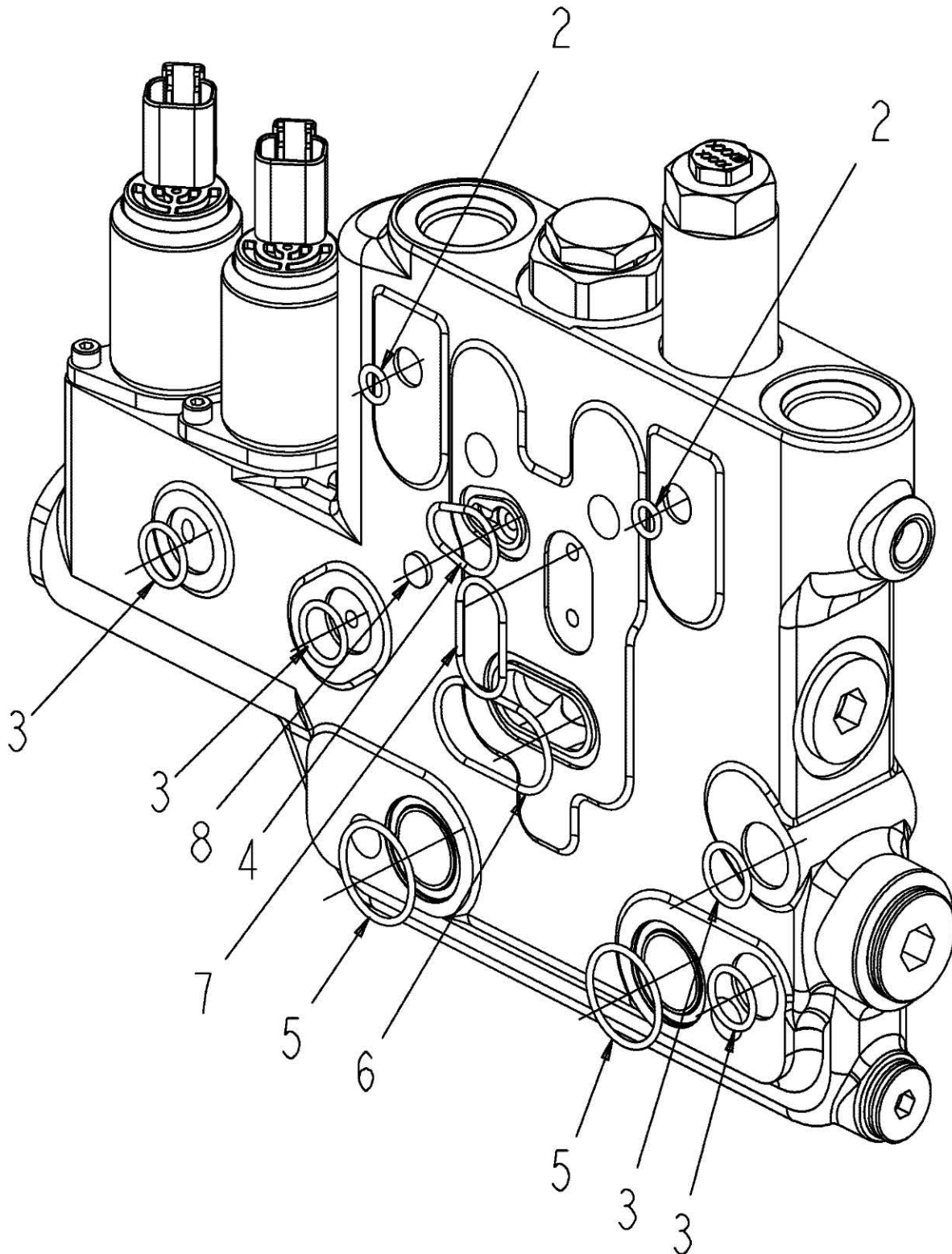
532042D1-02-V378



532042D1 - RELIEF VALVE SEAL KIT

ITEM	PART NUMBER	QTY	DESCRIPTION COMMENTS	TECHNICAL SPECIFICATION
1	NS	1	NON-SERVICEABLE PART ORDER 532042D1 SOLD IN KIT FORM ONLY	
2	NS	1	NON-SERVICEABLE PART ORDER 532042D1 SOLD IN KIT FORM ONLY	
3	NS	1	NON-SERVICEABLE PART ORDER 532042D1 SOLD IN KIT FORM ONLY	
4	NS	1	NON-SERVICEABLE PART ORDER 532042D1 SOLD IN KIT FORM ONLY	
5	NS	1	NON-SERVICEABLE PART ORDER 532042D1 SOLD IN KIT FORM ONLY	

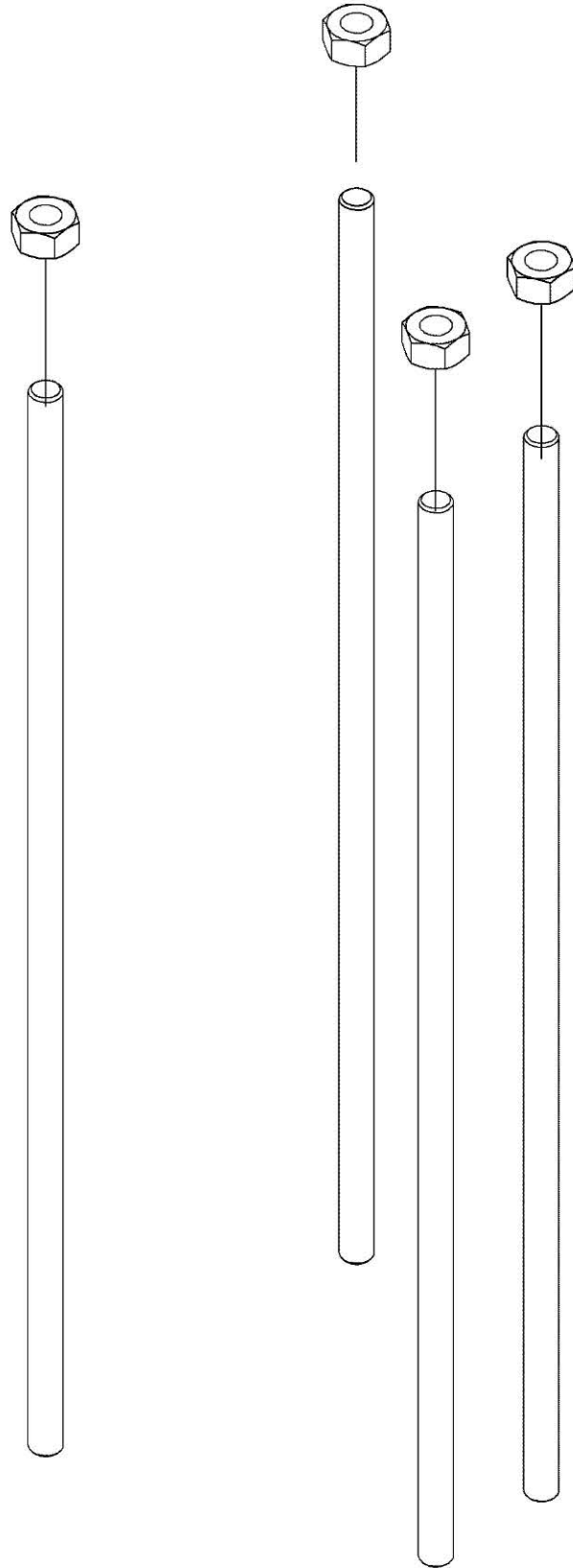
527324D1-01-V178



527324D1 - SECTION INTERFACE SEAL KIT

ITEM	PART NUMBER	QTY	DESCRIPTION COMMENTS	TECHNICAL SPECIFICATION
	NS	-	NON-SERVICEABLE PART NOT SHOWN ORDER 527324D1 SOLD IN KIT FORM ONLY	
2	NS	-	NON-SERVICEABLE PART ORDER 527324D1 SOLD IN KIT FORM ONLY	
3	NS	-	NON-SERVICEABLE PART ORDER 527324D1 SOLD IN KIT FORM ONLY	
4	NS	-	NON-SERVICEABLE PART ORDER 527324D1 SOLD IN KIT FORM ONLY	
5	NS	-	NON-SERVICEABLE PART ORDER 527324D1 SOLD IN KIT FORM ONLY	
6	NS	-	NON-SERVICEABLE PART ORDER 527324D1 SOLD IN KIT FORM ONLY	
7	NS	-	NON-SERVICEABLE PART ORDER 527324D1 SOLD IN KIT FORM ONLY	
8	NS	-	NON-SERVICEABLE PART ORDER 527324D1 SOLD IN KIT FORM ONLY	

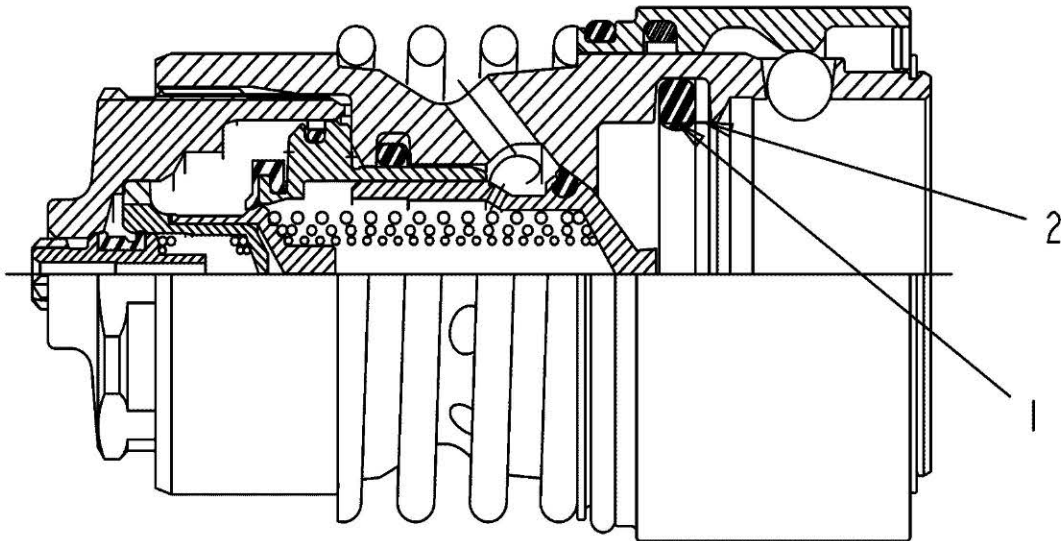
527357D1-01-V178



527357D1 - TIE ROD KIT, 4 WITH HITCH

ITEM	PART NUMBER	QTY	DESCRIPTION COMMENTS	TECHNICAL SPECIFICATION
	NS	1	NON-SERVICEABLE PART SOLD IN KIT FORM ONLY ORDER 527357D1	

544400D1-01-W628

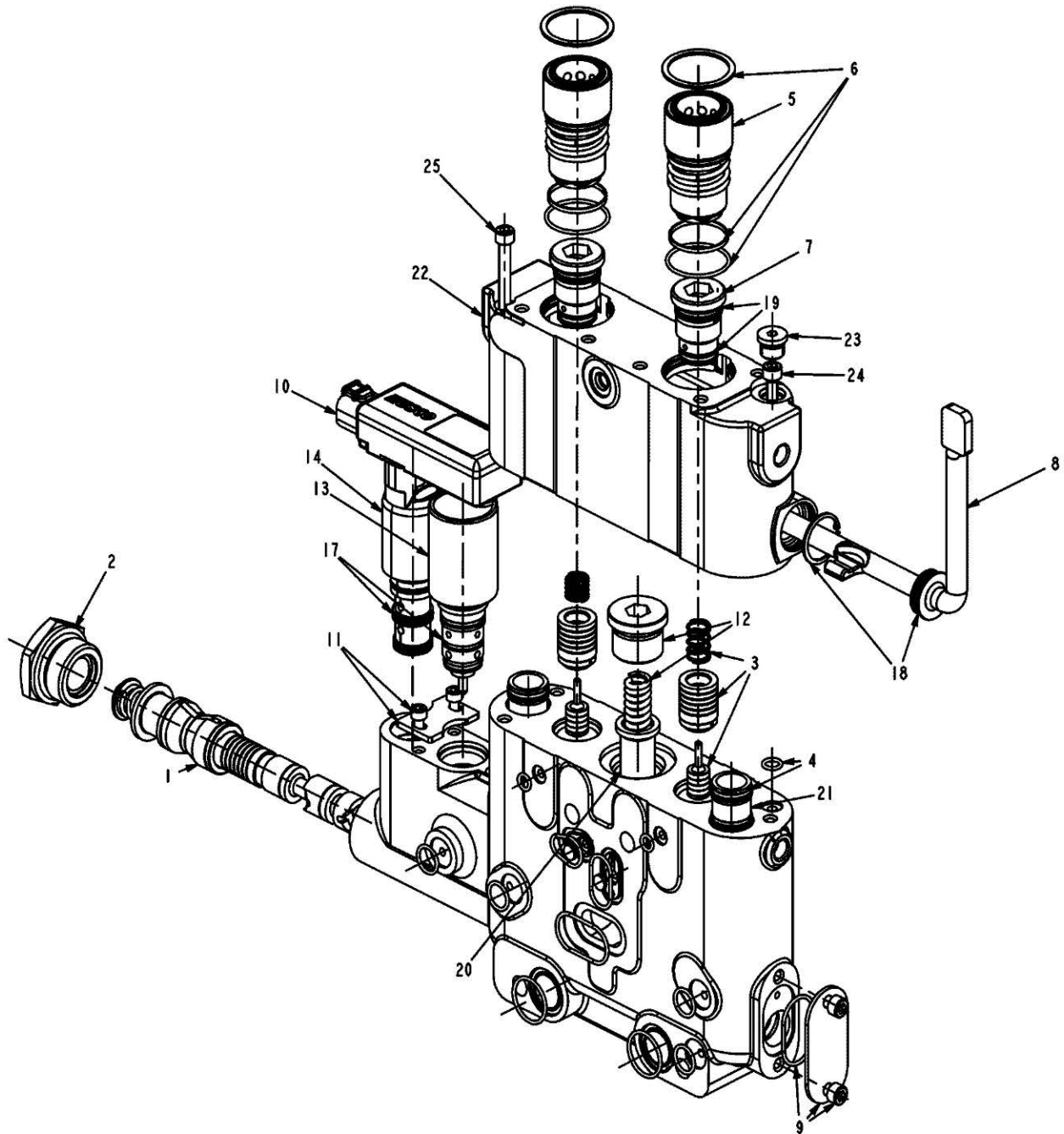


544400D1 - 1/2 INCH COUPLER INTERFACE SEAL KIT

ITEM	PART NUMBER	QTY	DESCRIPTION COMMENTS	TECHNICAL SPECIFICATION
			PARTS ARE SUPPLIED IN KIT FORM ONLY	
1	NS	1	NON-SERVICEABLE PART O-RING ORDER 544400D1 SOLD IN KIT FORM ONLY	
2	NS	1	NON-SERVICEABLE PART BACKUP RING ORDER 544400D1 SOLD IN KIT FORM ONLY	

527375D1 - BOTTOM STANDARD 1/2 INCH IMPLEMENT VALVE ASSEMBLY - WITHOUT 3 POINT HITCH

527375D1-02-W628

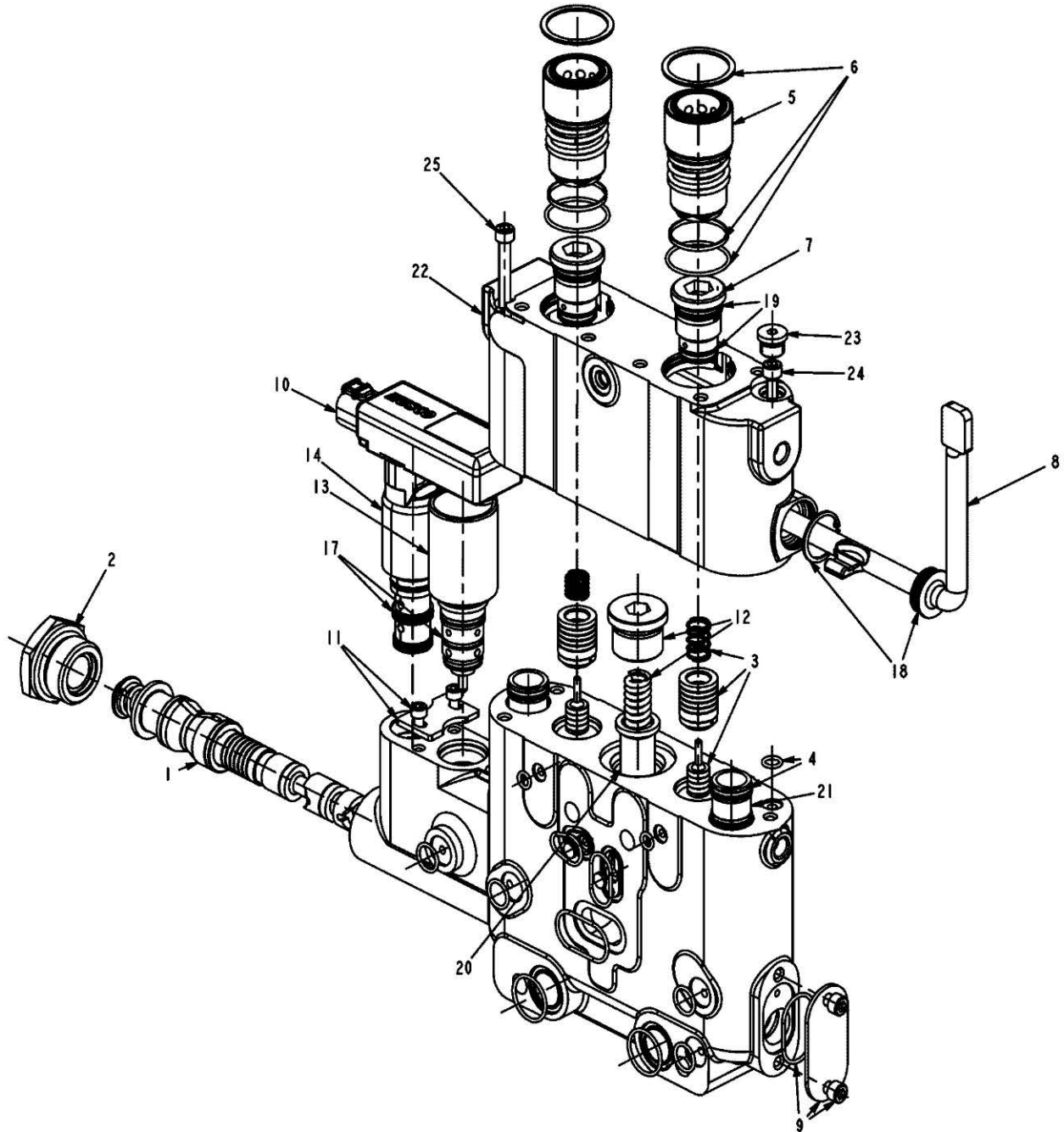


527375D1 - BOTTOM STANDARD 1/2 INCH IMPLEMENT VALVE ASSEMBLY - WITHOUT 3 POINT HITCH

ITEM	PART NUMBER	QTY	DESCRIPTION COMMENTS	TECHNICAL SPECIFICATION
1	527309D1	1	VALVE SERVICE KIT SEE PAGE 08-0017	
2	527331D1	1	HEX HEAD PLUG	
3	543028D1	1	POPPET VALVE KIT SEE PAGE 08-0040	
4	527334D1	1	SEAL KIT KIT CAN BE USED IN BOTH WORK PORTS SERVICED AS A KIT ONLY SEE PAGE 08-0037	
5	527335D1	1	COUPLER KIT SERVICED ONLY AS A KIT. SEE PAGE 08-0038	1/2"
	544400D1	1	SEAL KIT	1/2"
	550128D1	1	COLLAR	
6	527336D1	1	SEAL KIT SERVICED ONLY AS A KIT.	1/2"
7	527337D1	1	RELIEF VALVE SEE PAGE 08-0043	
	532042D1	1	RELIEF VALVE SEAL KIT	
8	532041D1	1	SEAL KIT	
	527338D1	1	HANDLE SEE PAGE 08-0039	
9	527340D1	1	COVER KIT PLATE	W/SEAL
10	521912D1	1	VALVE CONTROL SEE PAGE 09-0018	
	402438X1	1	SEAL	
11	527342D1	1	CLAMP KIT	
12	527345D1	1	SPRING KIT THIS KIT SERVICED ONLY AS A COMPLETE PACKAGE. SEE PAGE 08-0020	
13	527365D1	1	PROPORTIONAL CARTRIDGE THIS KIT SERVICED ONLY AS A COMPLETE PACKAGE SEE PAGE 08-0021	3/4"
14	527366D1	1	SOLENOID DIRECTIONAL SEE PAGE 08-0022	
	532040D1	1	VALVE SEAL KIT	
17	532040D1	1	VALVE SEAL KIT VALVE	
18	532041D1	1	SEAL KIT HANDLE	
	532042D1	1	RELIEF VALVE SEAL KIT SEE PAGE 08-0046 NOT SHOWN	

527375D1 - BOTTOM STANDARD 1/2 INCH IMPLEMENT VALVE ASSEMBLY - WITHOUT 3 POINT HITCH

527375D1-02-W628

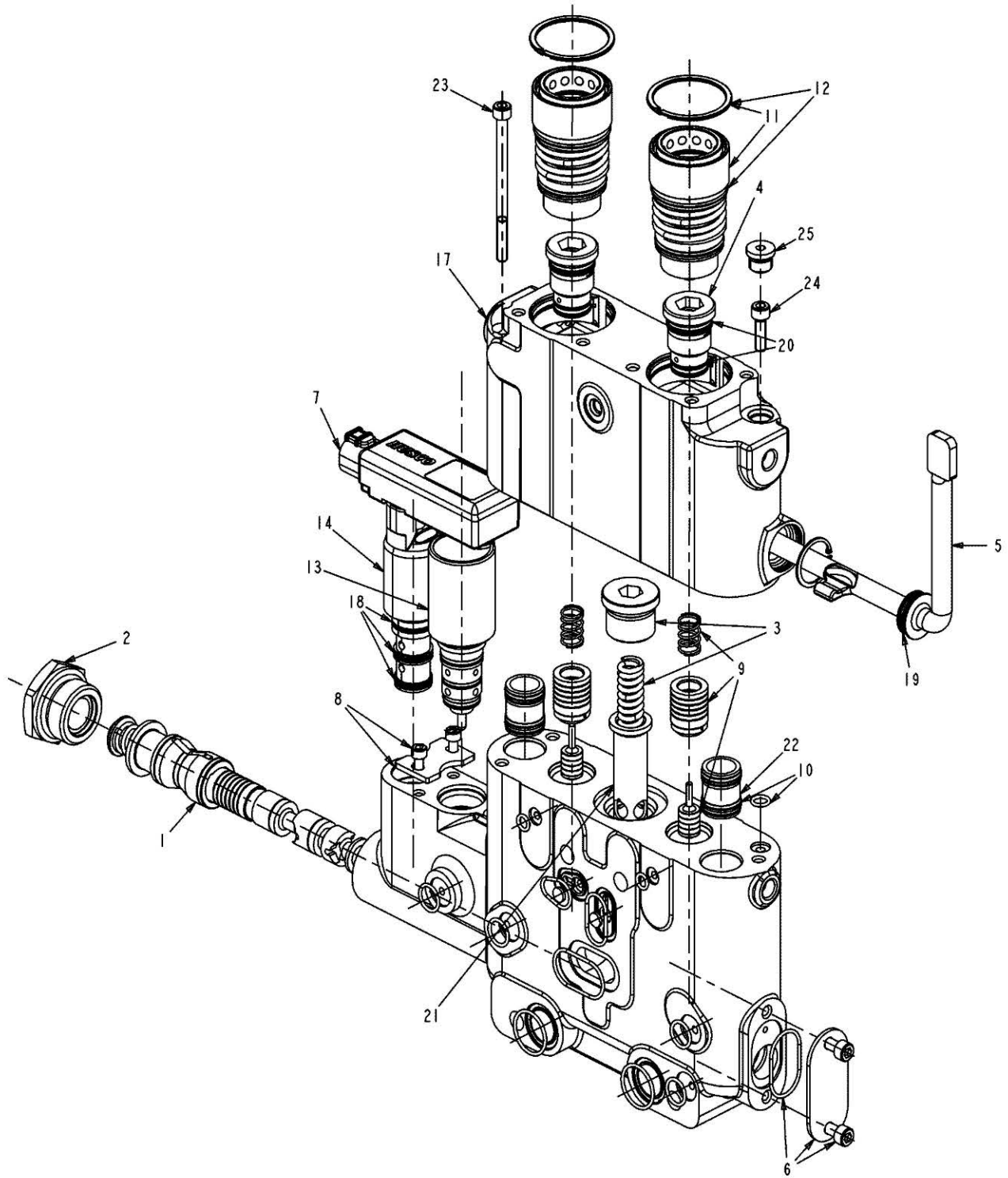


527375D1 - BOTTOM STANDARD 1/2 INCH IMPLEMENT VALVE ASSEMBLY - WITHOUT 3 POINT HITCH

ITEM	PART NUMBER	QTY	DESCRIPTION COMMENTS	TECHNICAL SPECIFICATION
20	532045D1	1	SPOOL KIT COMPENSATOR	
21	532399D1	1	SLEEVE VALVE	
22	532407D1	1	VALVE BODY LOWER	
23	502642D1	1	PLUG	AS.-1/2-20 HX SOCKE
	CH1J-9671	1	O-RING	10.52MM ID X 1.83MM
24	CH8T-0269	1	SOCKET HEAD BOLT	M6 X 1 X 20MM
25	401995X1	1	HEX SOCKET HEAD BOLT	M6 X 1 X 85MM

527377D1 - BOTTOM HIGH FLOW 3/4 INCH IMPLEMENT VALVE ASSEMBLY

527377D1-02-W628

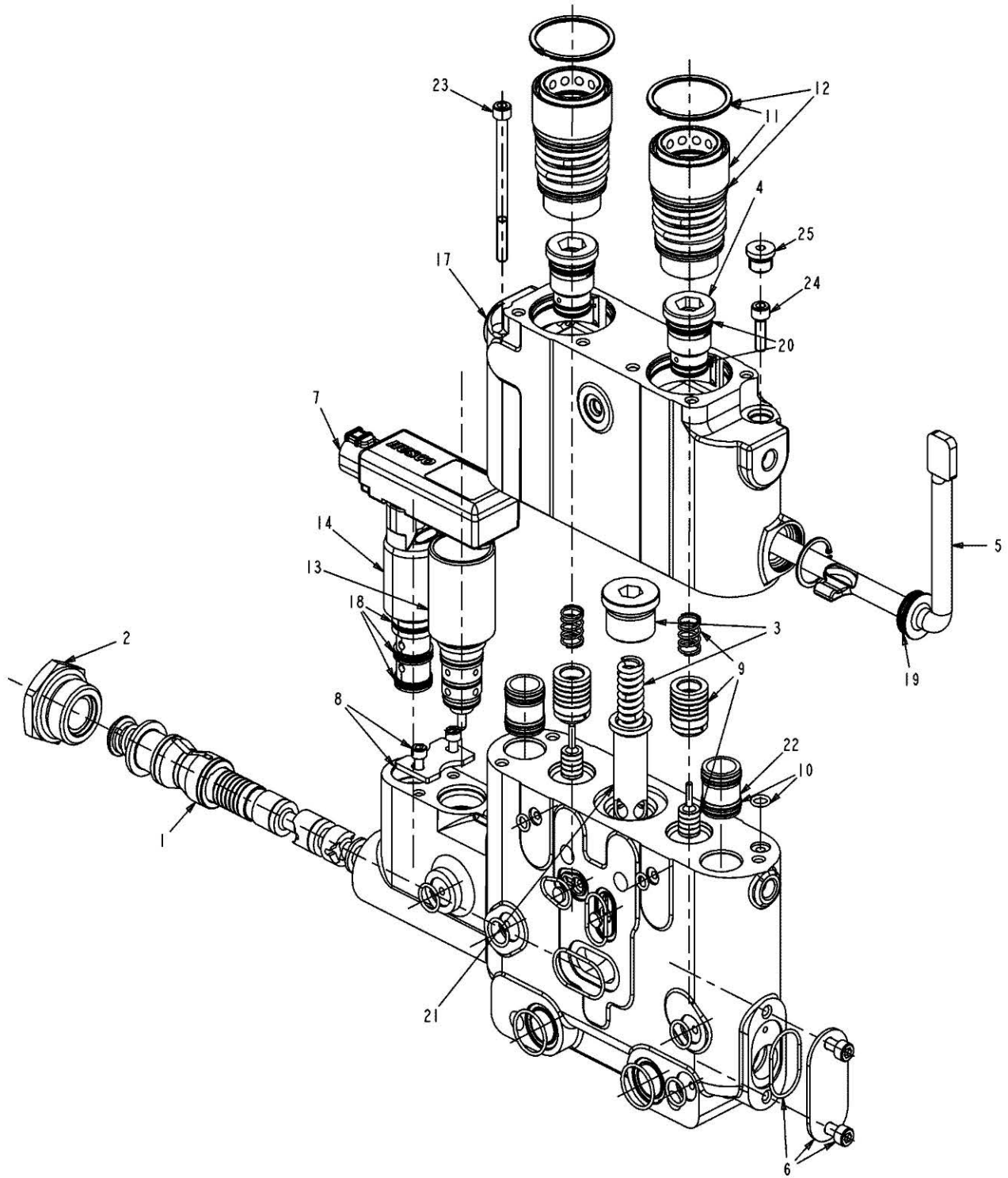


527377D1 - BOTTOM HIGH FLOW 3/4 INCH IMPLEMENT VALVE ASSEMBLY

ITEM	PART NUMBER	QTY	DESCRIPTION COMMENTS	TECHNICAL SPECIFICATION
1	527309D1	1	VALVE SERVICE KIT SERVICE CONTROL VALVE KIT SERVICED ONLY AS A KIT.	
2	527331D1	1	HEX HEAD PLUG	
3	527333D1	1	KIT, SPRING HIGH FLOW COMPENSATOR SPRING	
4	527337D1	1	RELIEF VALVE	
	532042D1	1	RELIEF VALVE SEAL KIT	
5	527338D1	1	HANDLE	
	532041D1	1	SEAL KIT FOR HANDLE	
6	527340D1	1	COVER KIT PLATE	W/SEAL
7	521912D1	1	VALVE CONTROL SEE PAGE 09-0018	
	402438X1	2	SEAL	
8	527342D1	1	CLAMP KIT	
9	543028D1	1	POPPET VALVE KIT	
10	527334D1	1	SEAL KIT KIT CAN BE USED IN BOTH WORK PORTS SERVICED AS A KIT ONLY	
11	527348D1	1	COUPLER KIT SEE PAGE 08-0056	3/4"
	527349D1	1	SERVICE PARTS 3/4 COUPLER SEALS	3/4
	544401D1	1	SEAL KIT 3/4 COUPLER INTERFACE SEALS	3/4"
12	527349D1	1	SERVICE PARTS	3/4
13	527365D1	1	PROPORTIONAL CARTRIDGE THIS KIT SERVICED ONLY AS A COMPLETE PACKAGE	3/4"
14	527366D1	1	SOLENOID ON/OFF SOLENOID CARTRIDGE	
	532040D1	1	VALVE SEAL KIT	
17	532409D1	1	KIT, COUPLING LOWER	
18	532040D1	1	VALVE SEAL KIT	
19	532041D1	1	SEAL KIT HANDLE	
20	532042D1	1	RELIEF VALVE SEAL KIT	
21	532045D1	1	SPOOL KIT COMPENSATOR	
22	532399D1	1	SLEEVE VALVE	
23	401995X1	1	HEX SOCKET HEAD BOLT	M6 X 1 X 85MM
24	CH8T-0269	1	SOCKET HEAD BOLT	M6 X 1 X 20MM
25	502642D1	1	PLUG	AS.-1/2-20 HX SOCKE

527377D1 - BOTTOM HIGH FLOW 3/4 INCH IMPLEMENT VALVE ASSEMBLY

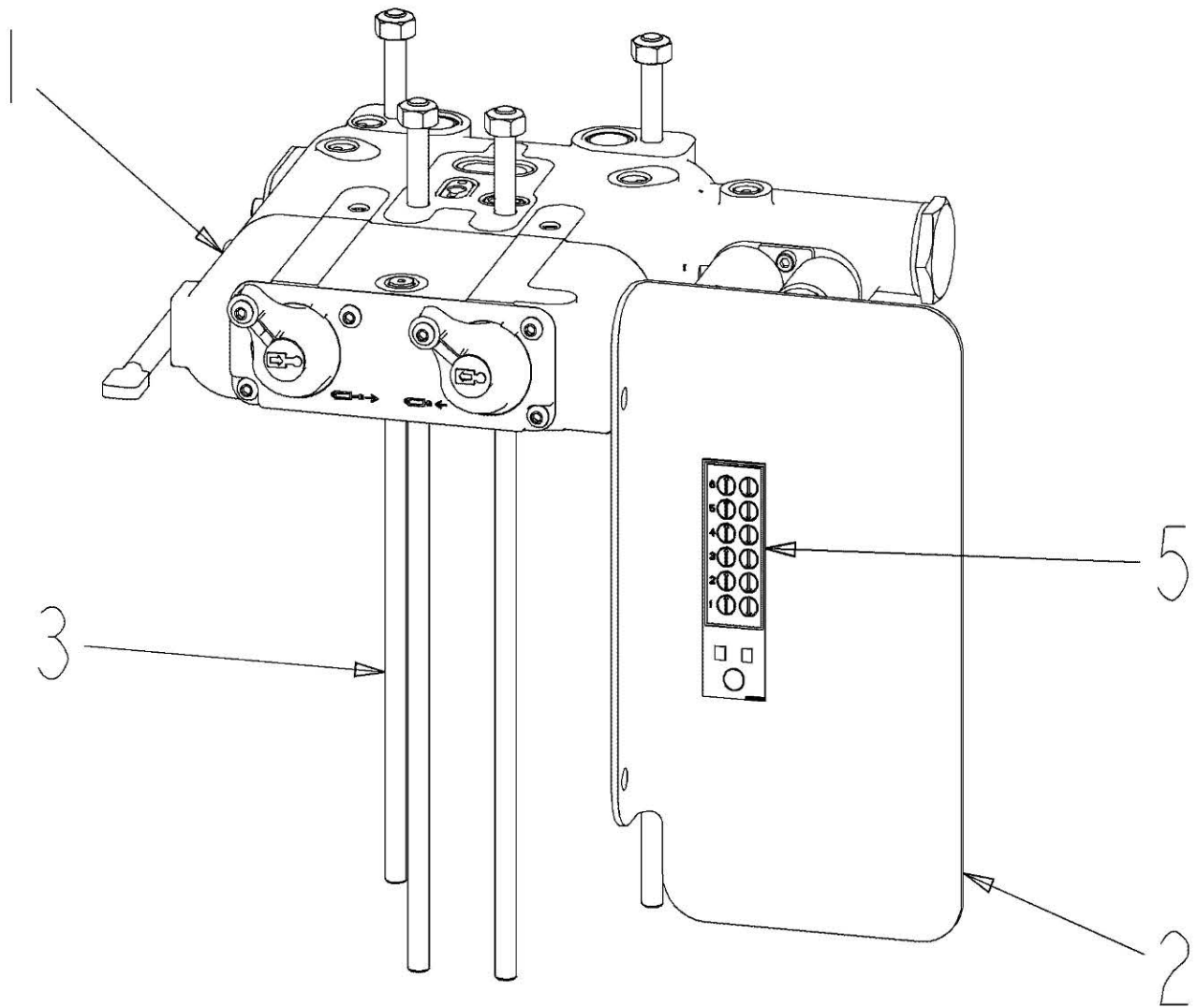
527377D1-02-W628



527377D1 - BOTTOM HIGH FLOW 3/4 INCH IMPLEMENT VALVE ASSEMBLY

ITEM	PART NUMBER	QTY	DESCRIPTION COMMENTS	TECHNICAL SPECIFICATION
	CH1J-9671	1	O-RING	10.52MM ID X 1.83MM

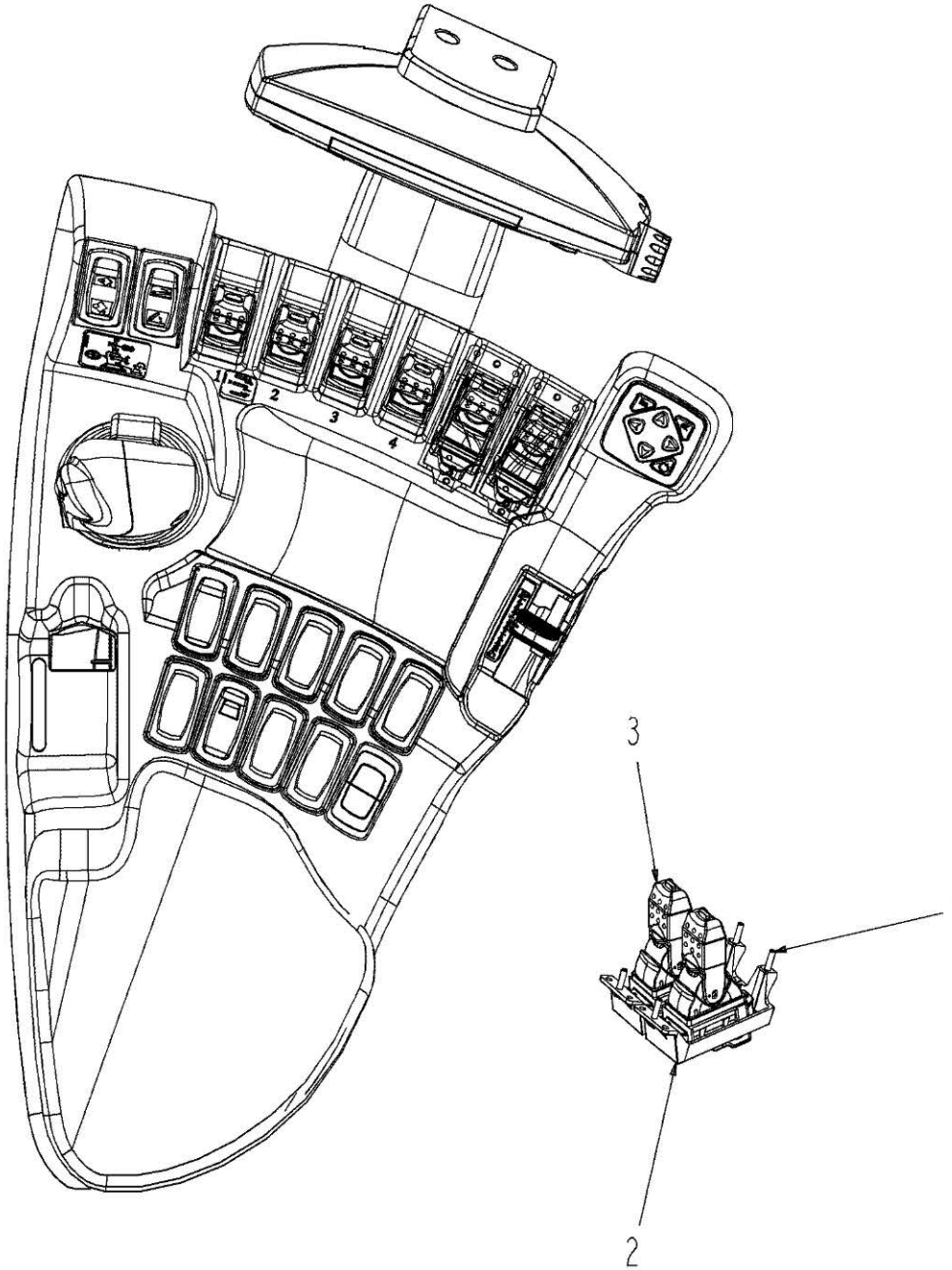
532744D1-01-V085



532744D1 - 4 TO 6 HIGH FLOW VALVE CONVERSION KIT

ITEM	PART NUMBER	QTY	DESCRIPTION COMMENTS	TECHNICAL SPECIFICATION
1	522223D1	2	KIT, VALVE SEE PAGE 08-0016	
2	522346D1	1	MOUNTING BRACKET	
3	527360D1	1	KIT, ROD SERVICED ONLY AS A KIT.	
	527367D1		SEAL KIT PARTS ARE SUPPLIED ONLY IN KIT. NOT SHOWN	
5	529900D1	1	INFORMATIONAL DECAL HYDRAULIC COUPLERS	

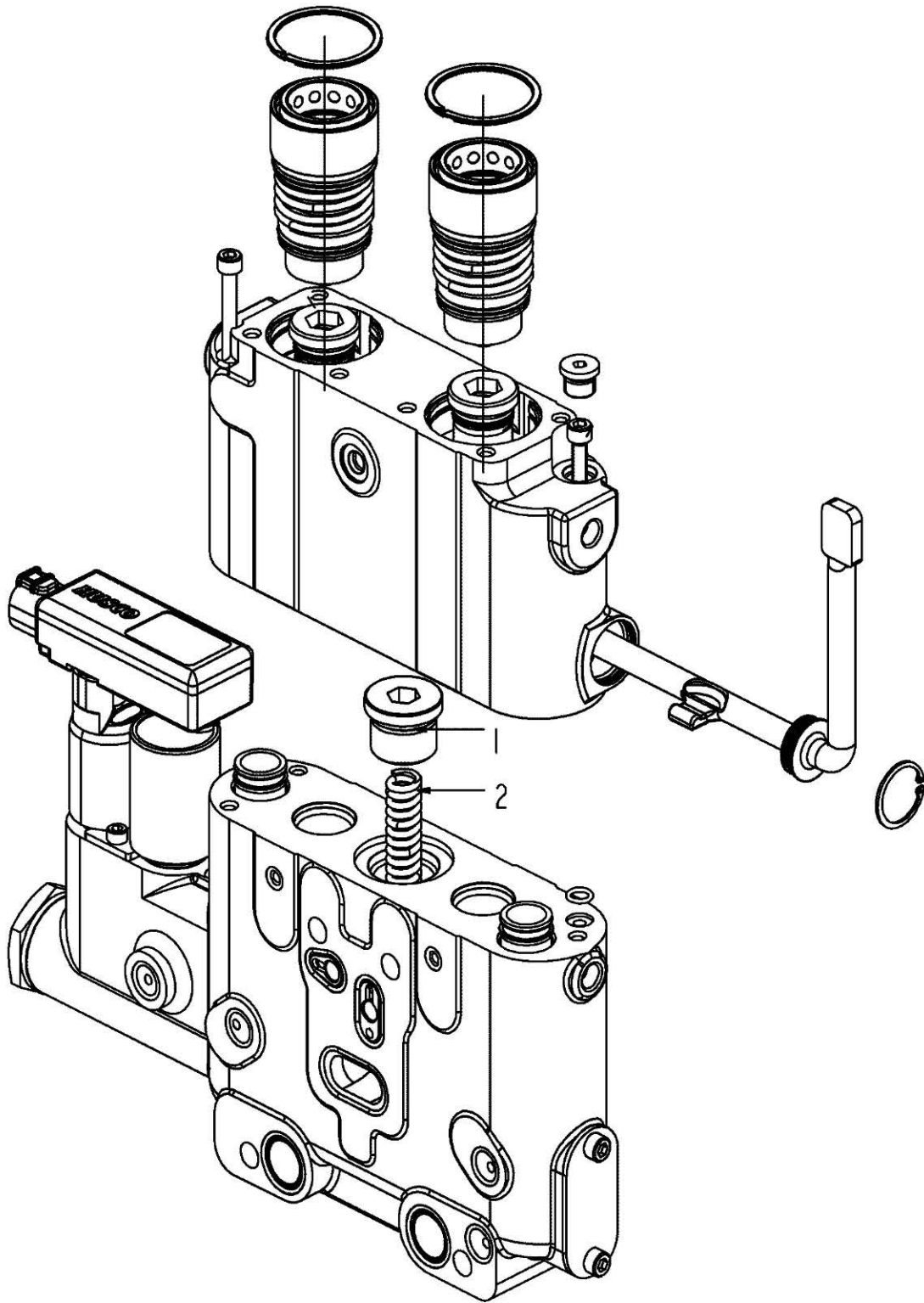
532745D1-01-V085



532745D1 - 5 AND 6 IMPLEMENT CONTROL KIT

ITEM	PART NUMBER	QTY	DESCRIPTION COMMENTS	TECHNICAL SPECIFICATION
1	4271132M1	8	SCREW	M3,5 X 14
2	4288510M1	2	SUPPORT IMPLEMENT	
3	4289763M2	2	HYDRAULIC CONTROL	

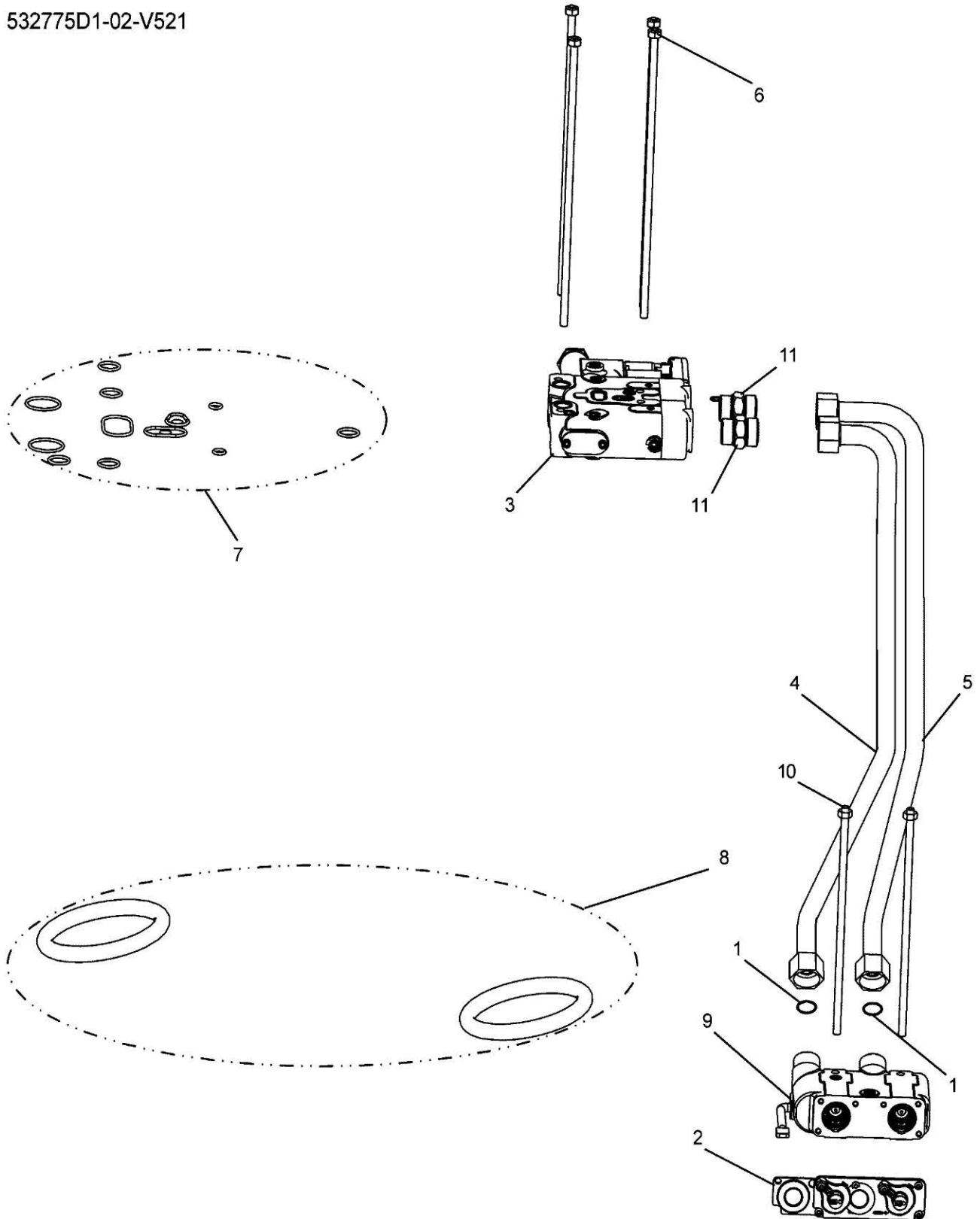
527333D1-01-V248



527333D1 - HIGH FLOW COMPENSATOR SPRING KIT

ITEM	PART NUMBER	QTY	DESCRIPTION COMMENTS	TECHNICAL SPECIFICATION
1	NS	1	NON-SERVICEABLE PART	
2	NS	1	NON-SERVICEABLE PART	

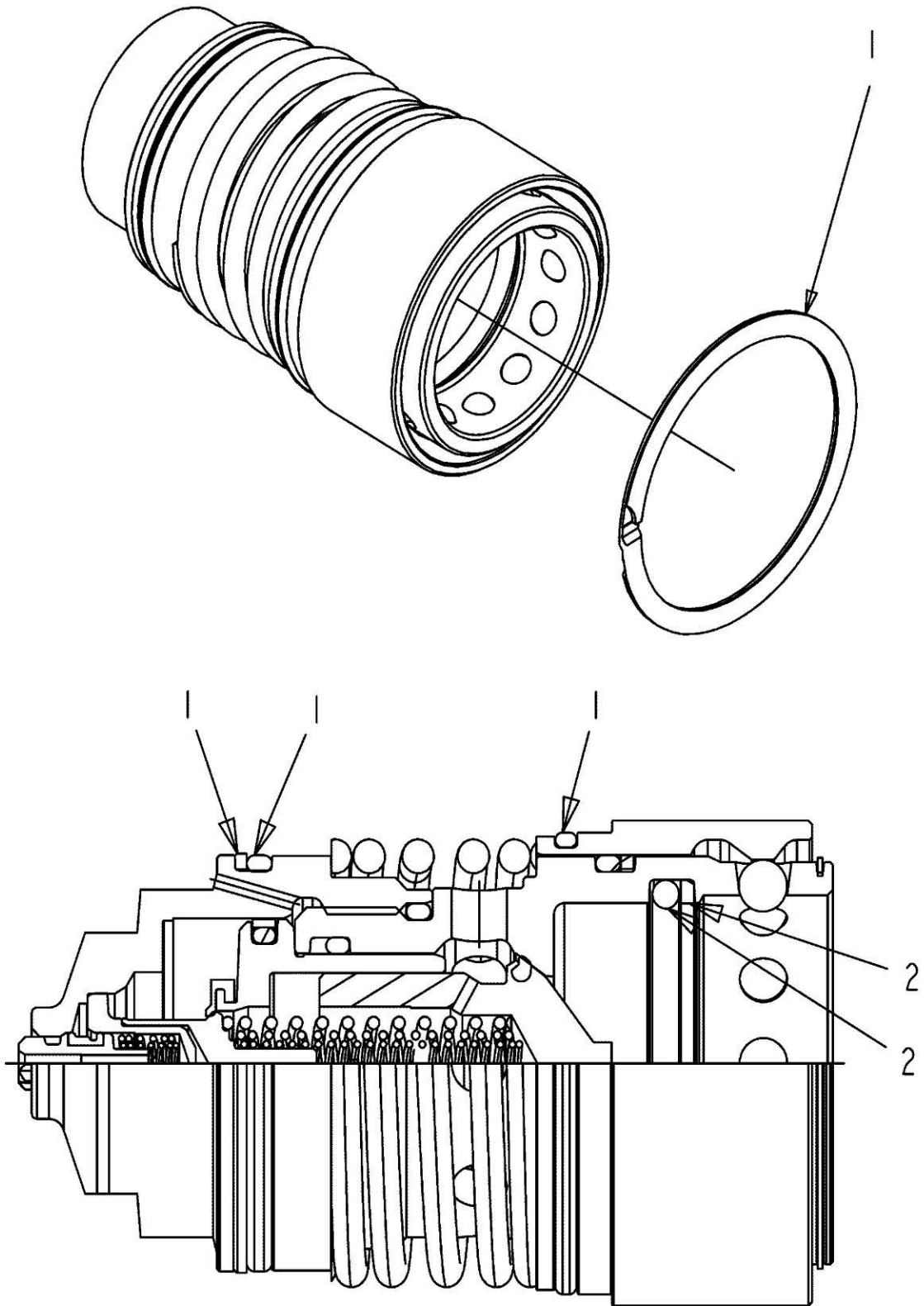
532775D1-02-V521



532775D1 - 4 TO 5 IMPLEMENT VALVE CONVERSION, WITH 3 POINT HITCH

ITEM	PART NUMBER	QTY	DESCRIPTION COMMENTS	TECHNICAL SPECIFICATION
1	400123X1	2	O-RING	27.22MM OD X 1.78MM
2	522100D1	1	COVER KIT CAN BE PURCHASED AS A COMPLETE KIT OR DUST COVER CAN BE PURCHASED SEPARATELY. SEE PAGE 08-0004	1/2" COUPLER
	527373D1	1	DUST SEAL	1/2"
3	522102D1	1	KIT, VALVE IMPLEMENT STANDARD FLOW SEE PAGE 08-0013	
4	524835D1	1	TUBE IMPLEMENT EXTEND	
5	524836D1	1	TUBE RETRACT, IMPLEMENT	
6	527359D1	1	ROD KIT SERVICED ONLY AS A KIT.	
7	527367D1	1	SEAL KIT PARTS ARE SUPPLIED ONLY IN KIT.	
8	527370D1	1	SEAL KIT SERVICED ONLY AS A KIT.	
9	530198D1	1	VALVE SEE PAGE 08-0063	
10	530667D1	1	TIE ROD SERVICED ONLY AS A KIT.	5RMT
11	CH148-8335	2	CONNECTOR	16 STOR X 16 ORFS
	400123X1	1	O-RING	27.22MM OD X 1.78MM
	400376X1	1	O-RING	29.74MM ID X 2.95MM

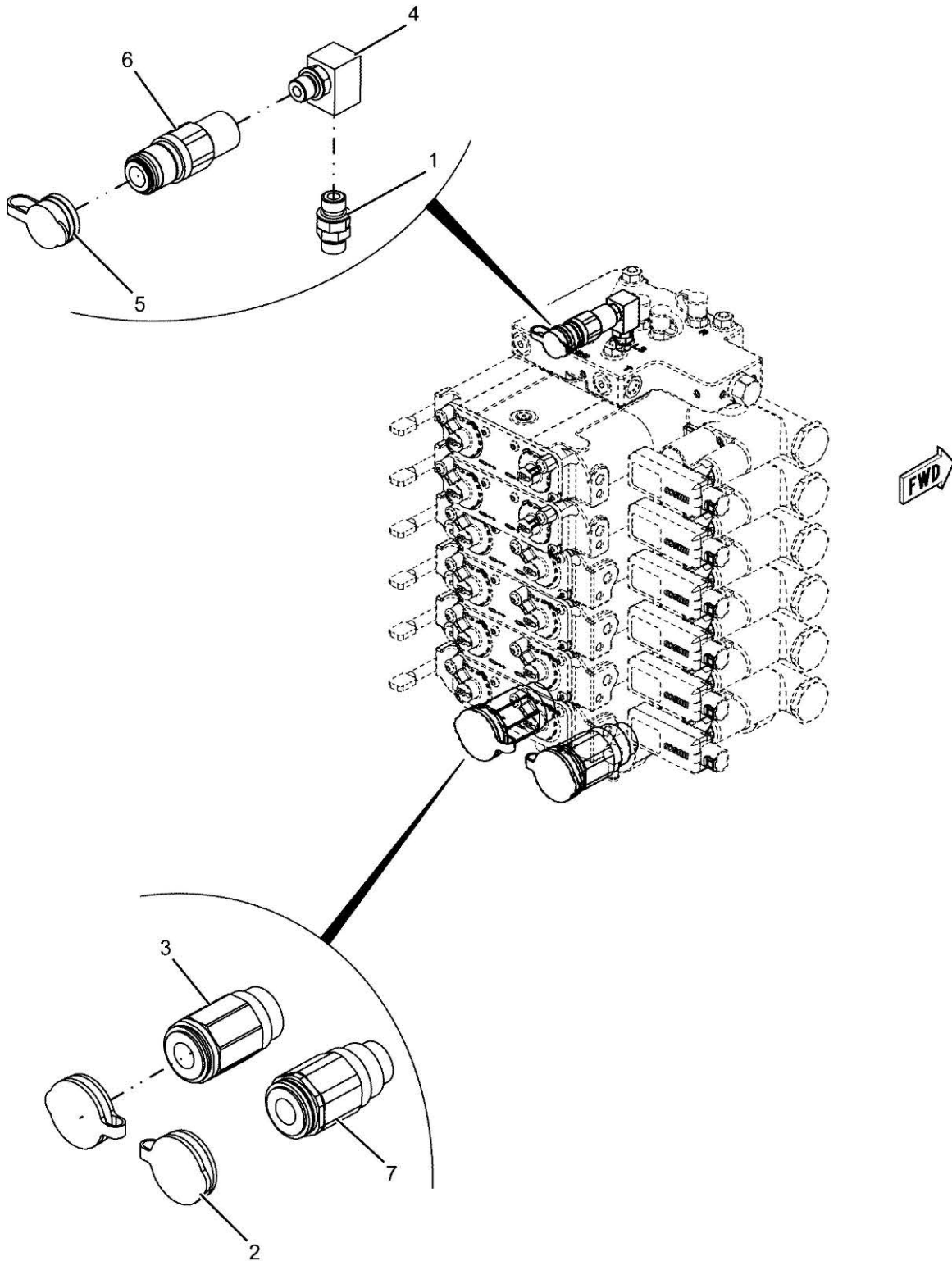
527348D1-02-W628



527348D1 - COUPLER KIT, 3/4

ITEM	PART NUMBER	QTY	DESCRIPTION COMMENTS	TECHNICAL SPECIFICATION
1	527349D1	1	SERVICE PARTS SEE PAGE 08-0058	3/4
2	544401D1	1	SEAL KIT COUPLER INTERFACE SEE PAGE 08-0059	3/4"

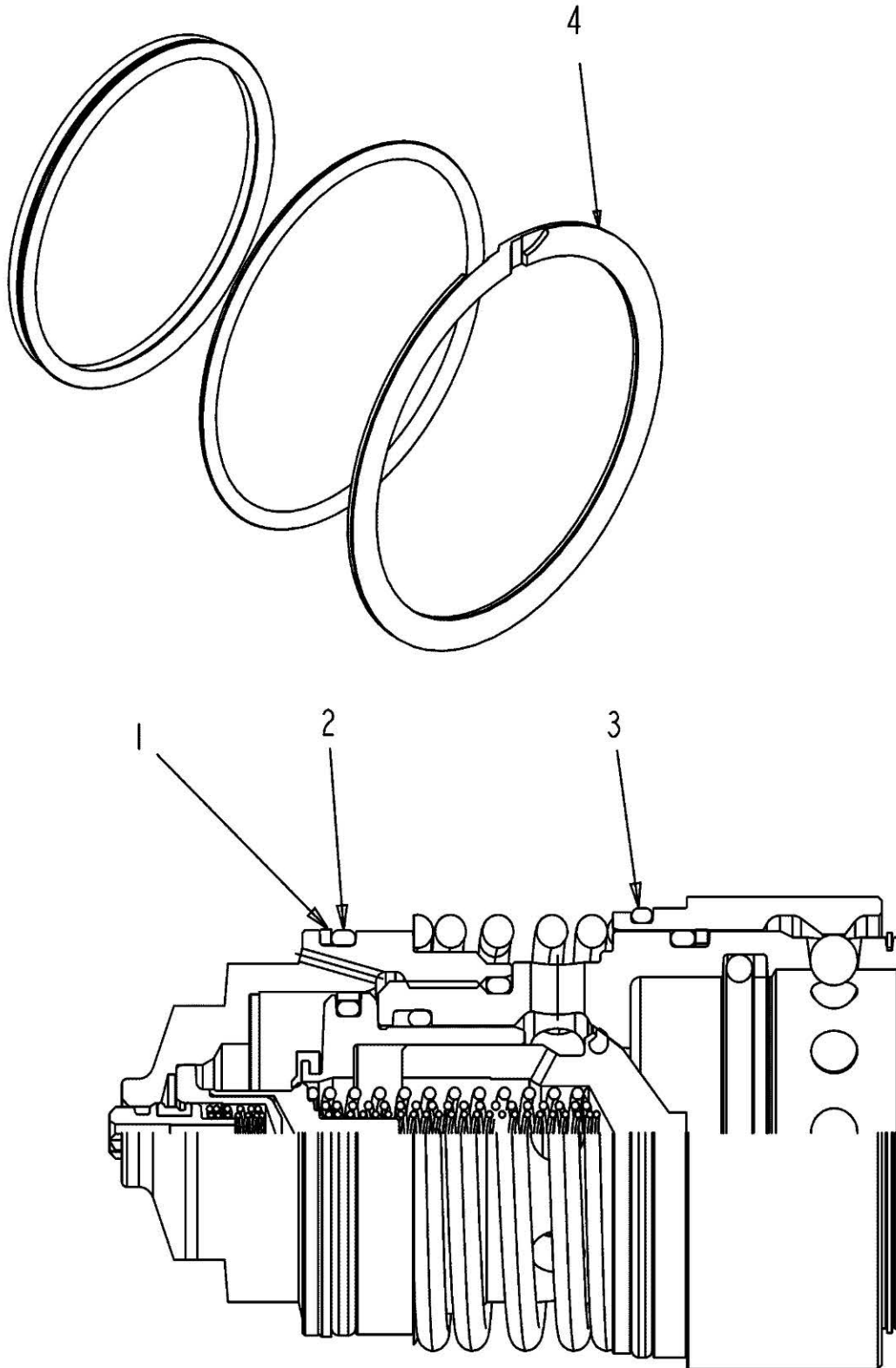
602444D1-1-



602444D1 - 3/4 INCH POWER BEYOND COUPLER GROUP

ITEM	PART NUMBER	QTY	DESCRIPTION COMMENTS	TECHNICAL SPECIFICATION
1	AG717340	1	ADAPTER FITTING	3/8" M OR X 3/8" M OR
2	501947D1	2	DUST PLUG	
3	502031D1	1	COUPLER	
	CH2K-8199	1	O-RING	28.24MM ID X 2.62MM DIA
	CH201-7614	1	BACK-UP RING	29MM X 33.6MM X 1.3MM
4	CH150-3065	1	ADAPTER	6 STOR X 6 STOR, 90D
	400318X1	1	O-RING	11.89MM ID X 1.98MM
5	CH159-5893	1	DUST CAP	
6	CH159-5897	1	COUPLER	
	CH153-4061	1	UNION	9/16"-18, 6 STOR
	CH159-5893	1	DUST CAP	
7	CH183-3724	1	COUPLER	
	CH2K-8199	1	O-RING	28.24MM ID X 2.62MM DIA
	CH201-7614	1	BACK-UP RING	29MM X 33.6MM X 1.3MM
	CH159-5890	1	QUICK COUPLER NIPPLE	1-1/16"-12
	CH153-6228	1	DUST PLUG	

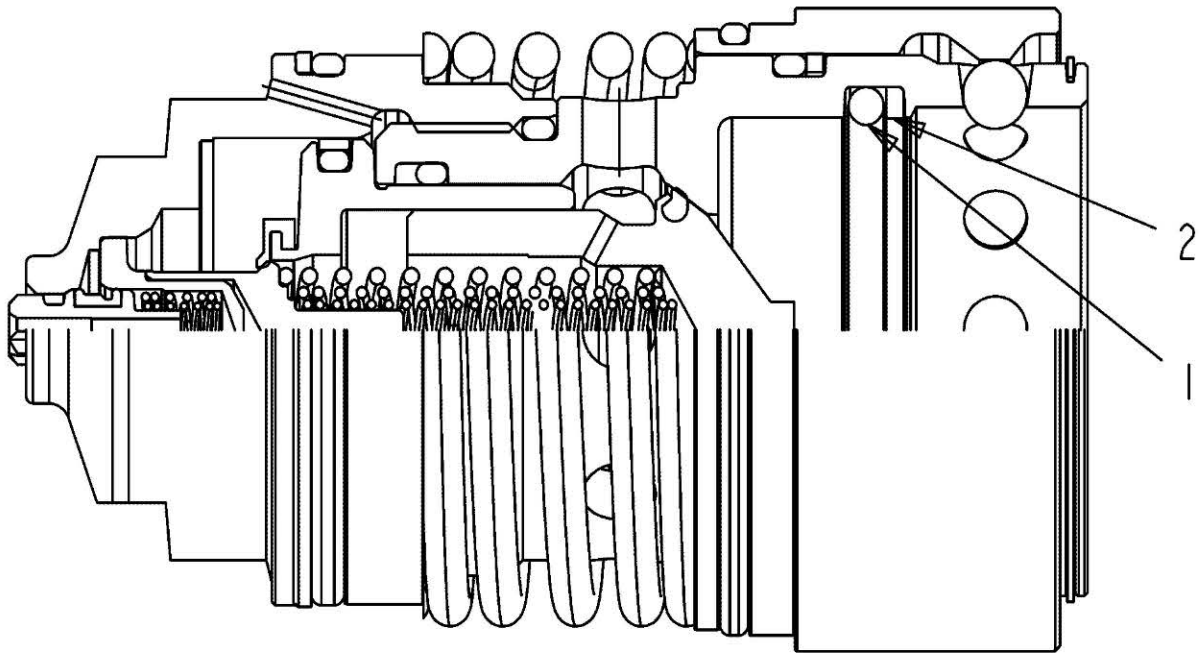
527349D1-02-W628



527349D1 - 3/4 INCH COUPLER SEAL KIT

ITEM	PART NUMBER	QTY	DESCRIPTION COMMENTS	TECHNICAL SPECIFICATION
1	NS	1	NON-SERVICEABLE PART BACKUP RING	
2	NS	1	NON-SERVICEABLE PART O-RING	
3	NS	1	NON-SERVICEABLE PART O-RING	
4	NS	1	NON-SERVICEABLE PART SNAP RING	

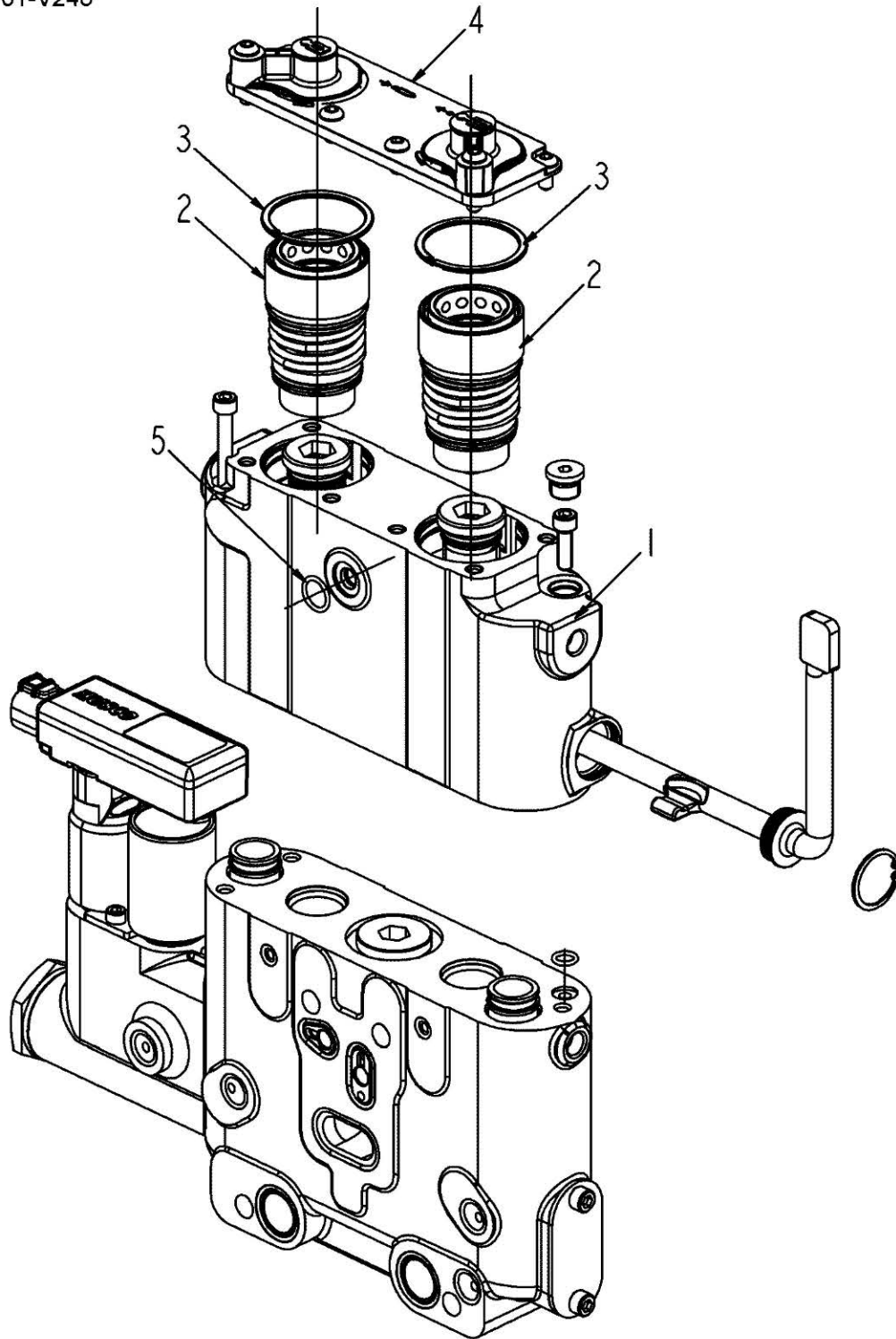
544401D1-01-W628



544401D1 - 3/4 INCH COUPLER INTERFACE SEAL KIT

ITEM	PART NUMBER	QTY	DESCRIPTION COMMENTS	TECHNICAL SPECIFICATION
1	NS	1	NON-SERVICEABLE PART O-RING	
2	NS	1	NON-SERVICEABLE PART BACKUP RING	

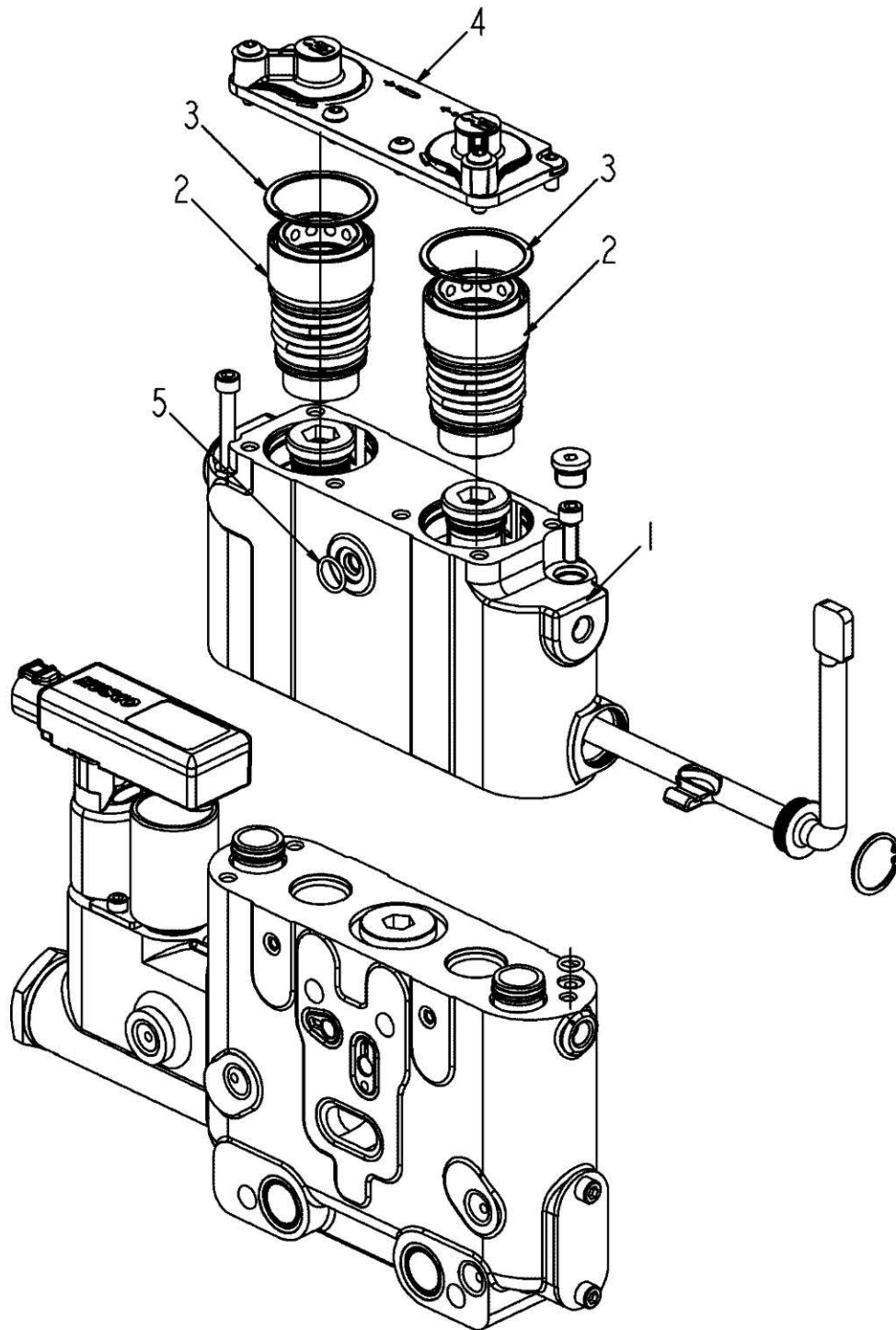
527351D1-01-V248



527351D1 - 3/4 INCH BOTTOM IMPLEMENT VALVE CONVERSION KIT

ITEM	PART NUMBER	QTY	DESCRIPTION COMMENTS	TECHNICAL SPECIFICATION
	527351D1	1	VALVE SERVICE KIT 3/4 INCH BOTTOM IMPLEMENT VALVE	
1	NS		NON-SERVICEABLE PART	
2	NS		NON-SERVICEABLE PART	
3	NS		NON-SERVICEABLE PART	
4	NS		NON-SERVICEABLE PART	
5	NS		NON-SERVICEABLE PART	

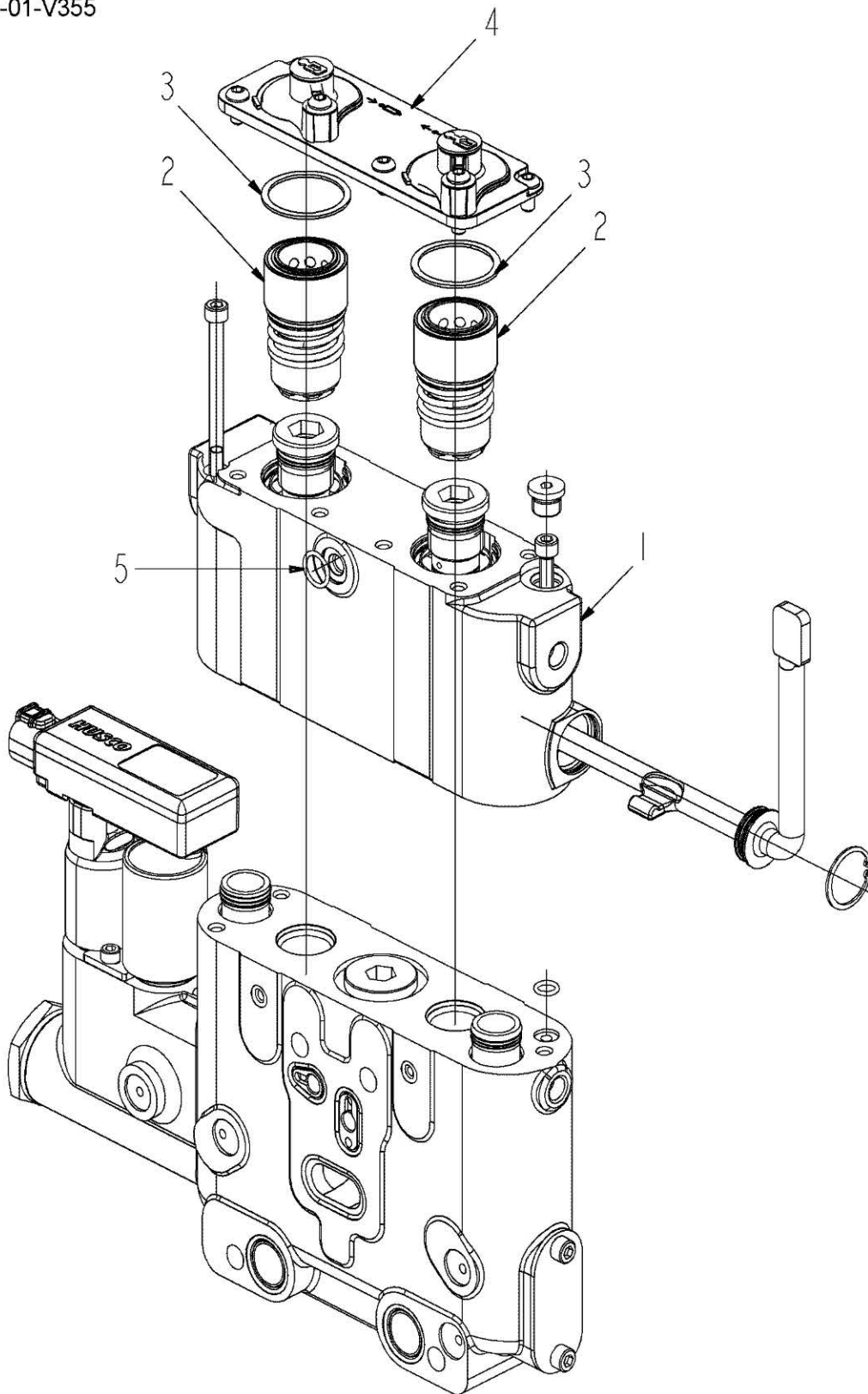
527352D1-01-V248



527352D1 - 3/4 INCH TOP AND MIDDLE IMPLEMENT VALVE CONVERSION KIT

ITEM	PART NUMBER	QTY	DESCRIPTION COMMENTS	TECHNICAL SPECIFICATION
	527352D1	1	VALVE SERVICE KIT 3/4 INCH TOP AND MIDDLE IMPLEMENT VALVE	
1	NS	1	NON-SERVICEABLE PART	
2	NS	2	NON-SERVICEABLE PART	
3	NS	2	NON-SERVICEABLE PART	
4	NS	1	NON-SERVICEABLE PART	
5	NS	1	NON-SERVICEABLE PART	

527344D1-01-V355

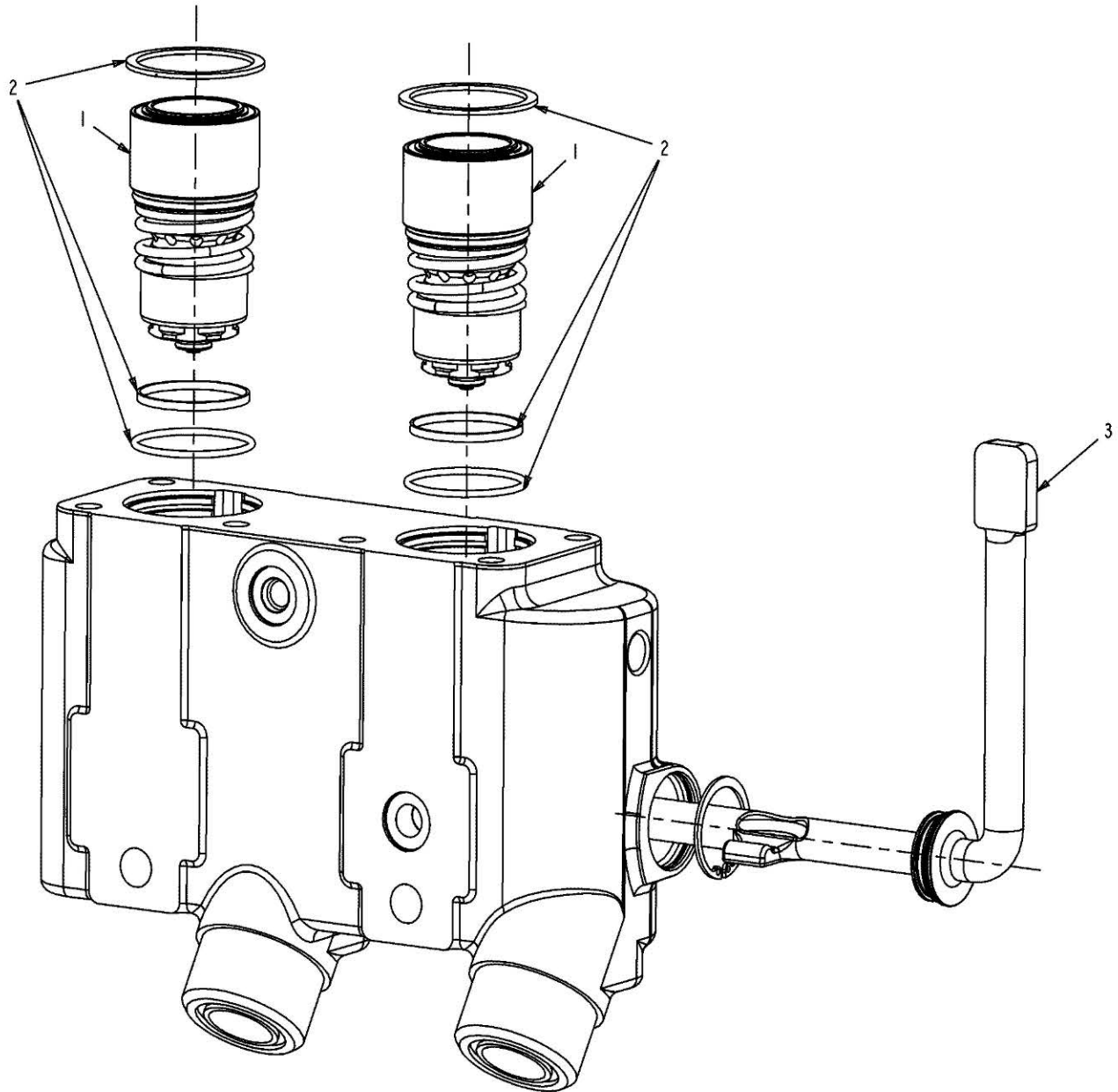


527344D1 - 1/2 INCH BOTTOM IMPLEMENT VALVE CONVERSION KIT

ITEM	PART NUMBER	QTY	DESCRIPTION COMMENTS	TECHNICAL SPECIFICATION
1	NS	1	NON-SERVICEABLE PART	
2	NS	2	NON-SERVICEABLE PART	
3	NS	2	NON-SERVICEABLE PART	
4	NS	1	NON-SERVICEABLE PART	
5	NS	1	NON-SERVICEABLE PART	

530198D1 - REMOTE COUPLER VALVE ASSEMBLY

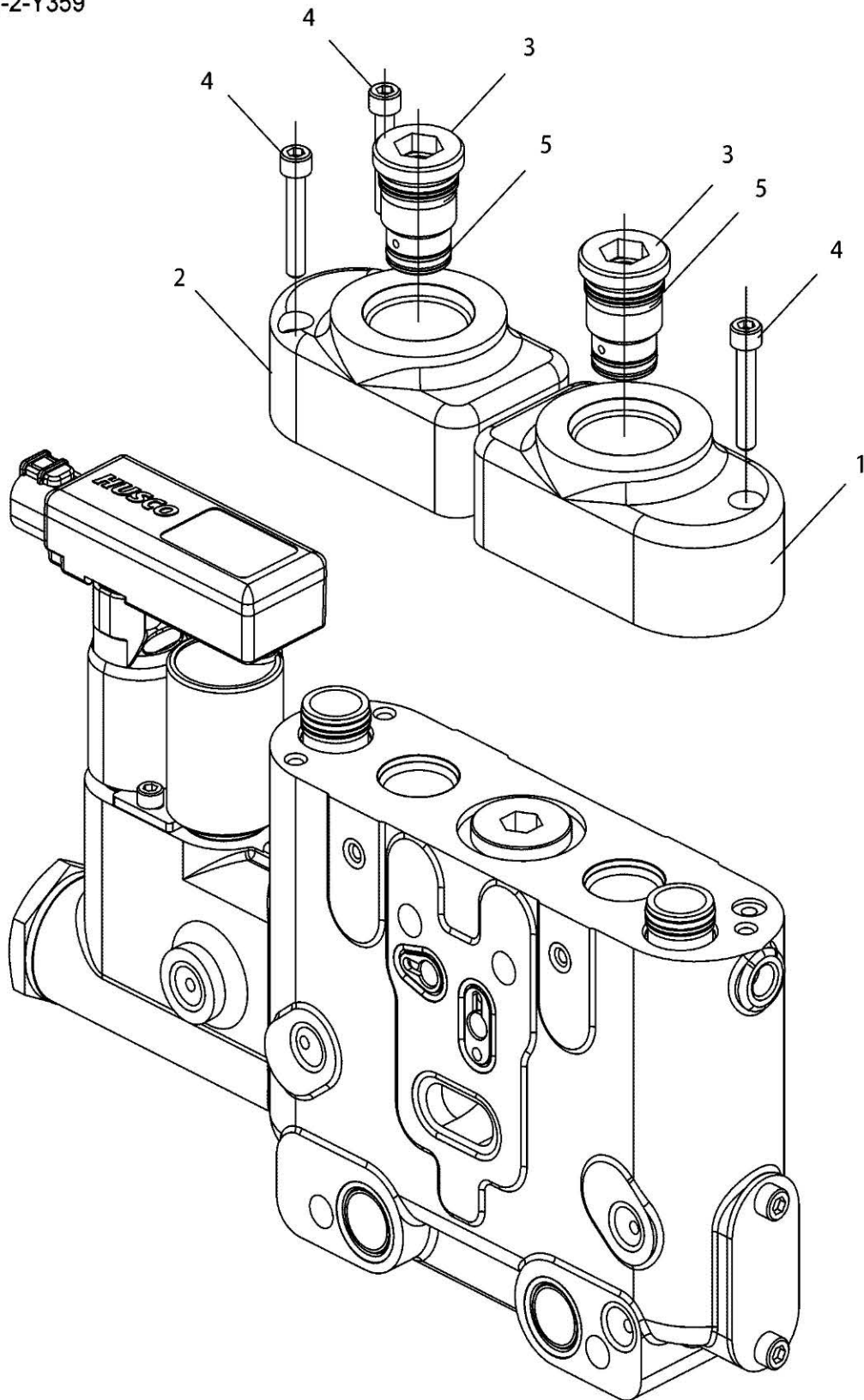
530198D1-02-W628



530198D1 - REMOTE COUPLER VALVE ASSEMBLY

ITEM	PART NUMBER	QTY	DESCRIPTION COMMENTS	TECHNICAL SPECIFICATION
1	527335D1	1	COUPLER KIT SERVICED ONLY AS A KIT. SEE PAGE 08-0038	1/2"
2	527336D1	1	SEAL KIT SERVICED ONLY AS A KIT.	1/2"
3	527338D1	1	HANDLE COUPLER SEE PAGE 08-0039	

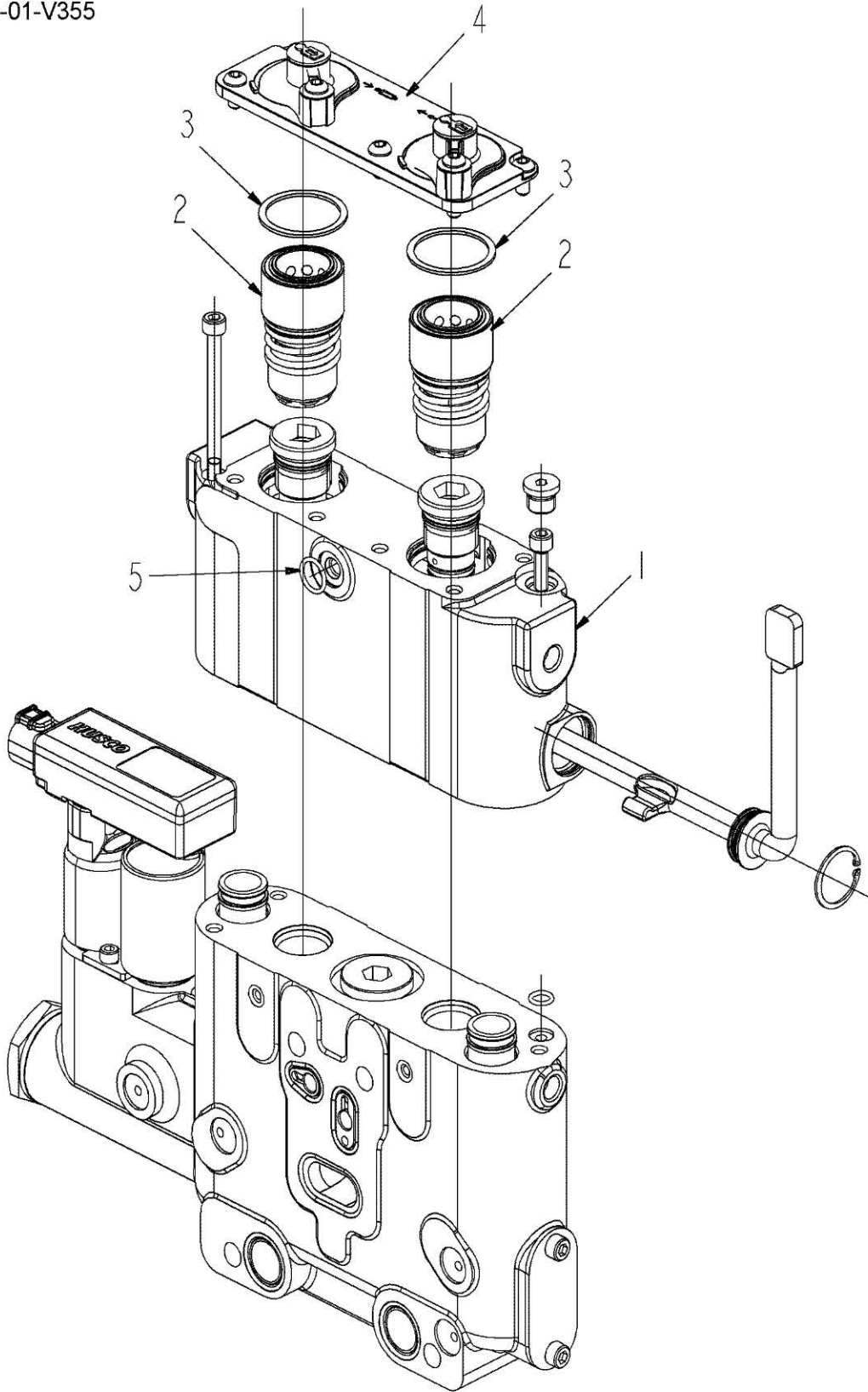
533387D1-2-Y359



533387D1 - THREADED COUPLER CONVERSION KIT

ITEM	PART NUMBER	QTY	DESCRIPTION COMMENTS	TECHNICAL SPECIFICATION
1	530647D1		KIT, COUPLING THREADED	
2	530652D1		KIT, COUPLING COUPLER	
3	532449D1		RELIEF VALVE SEAL KIT SEE PAGE 08-0045	
4	400070X1		HEX SOCKET HEAD BOLT	M6 X 1 X 35MM, CL10.9
5	532042D1		RELIEF VALVE SEAL KIT SEE PAGE 08-0046	

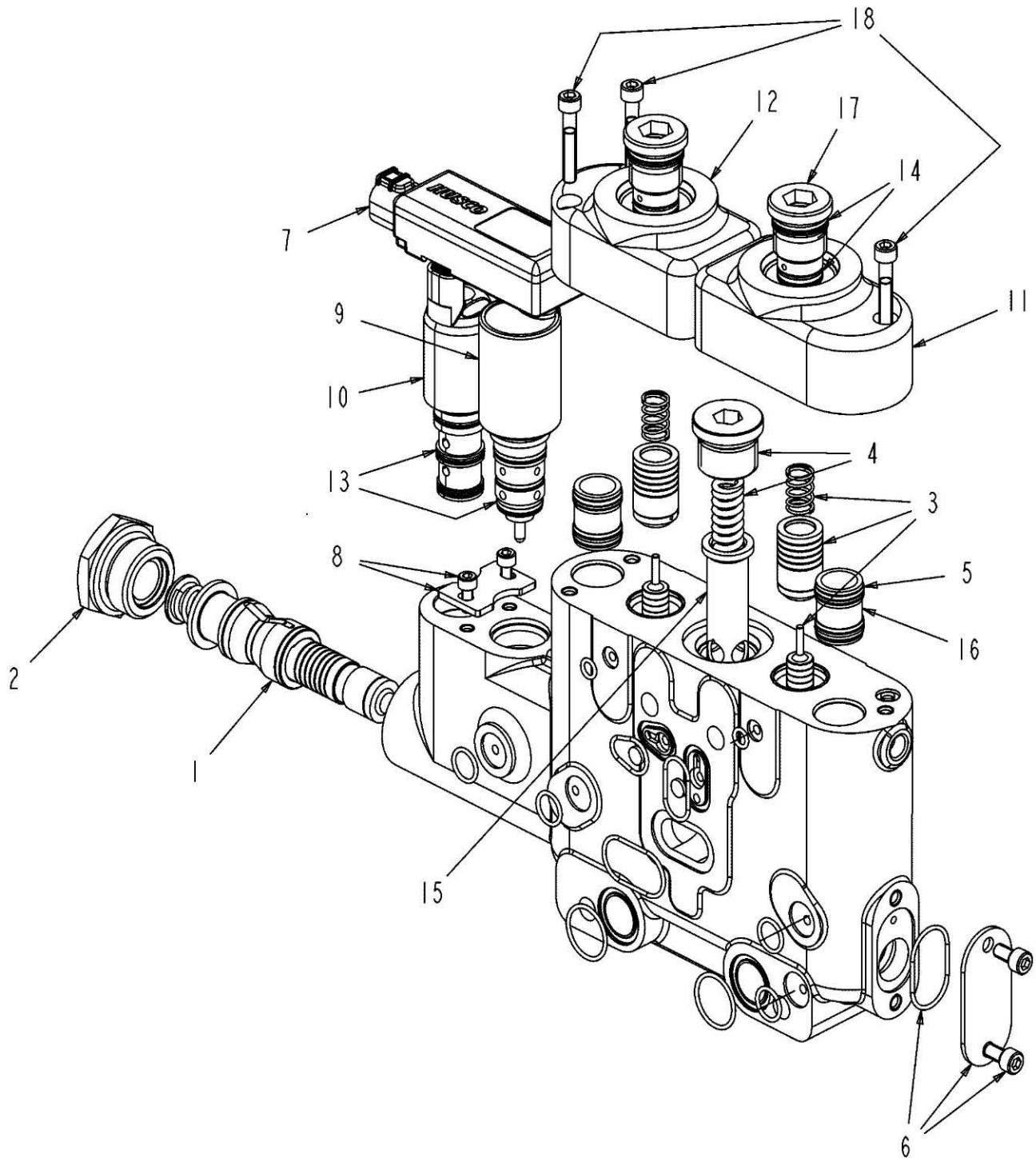
527343D1-01-V355



527343D1 - 1/2 INCH TOP AND MIDDLE IMPLEMENT VALVE CONVERSION KIT

ITEM	PART NUMBER	QTY	DESCRIPTION COMMENTS	TECHNICAL SPECIFICATION
1	NS	1	NON-SERVICEABLE PART	
2	NS	2	NON-SERVICEABLE PART	
3	NS	2	NON-SERVICEABLE PART	
4	NS	1	NON-SERVICEABLE PART	
5	NS	1	NON-SERVICEABLE PART	

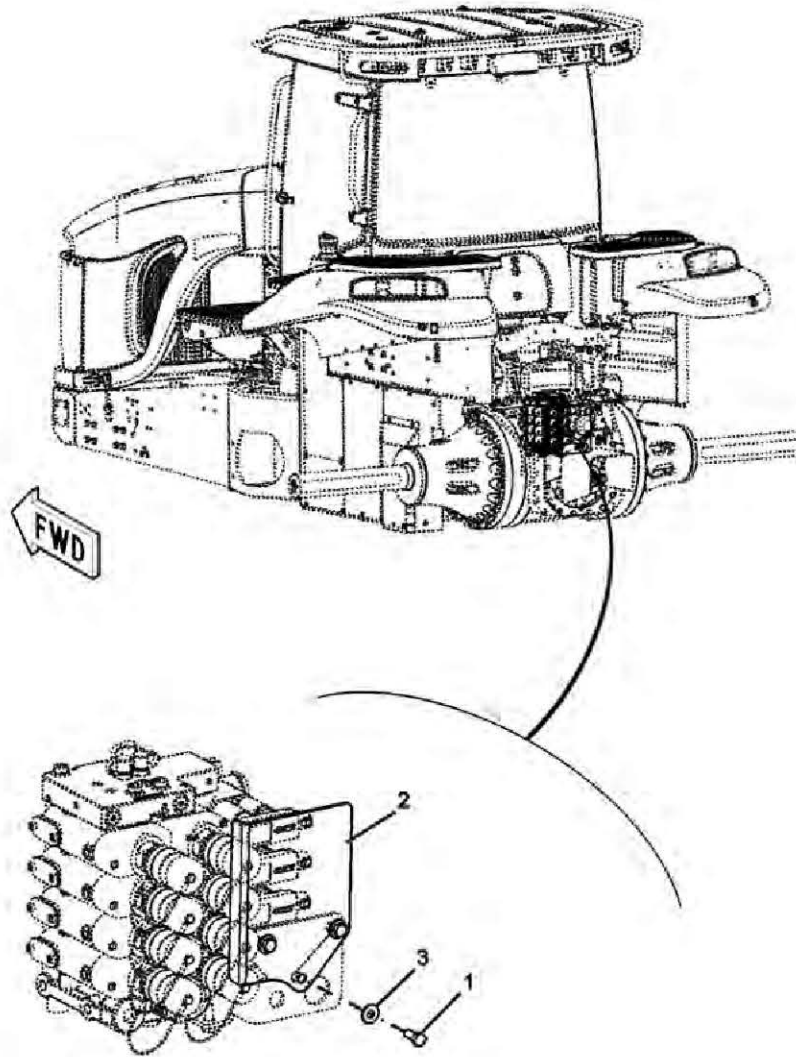
546618D1-2-AA243



546618D1 - HIGH FLOW VALVE BOTTOM WITH THREADED PORTS

ITEM	PART NUMBER	QTY	DESCRIPTION COMMENTS	TECHNICAL SPECIFICATION
1	527309D1		VALVE SERVICE KIT SERVICED ONLY AS A KIT.	
2	527331D1		HEX HEAD PLUG	
3	543028D1		POPPET VALVE KIT SEE PAGE 08-0040	
4	527333D1		KIT, SPRING SEE PAGE 08-0054	
5	527334D1		SEAL KIT KIT CAN BE USED IN BOTH WORK PORTS SERVICED AS A KIT ONLY SEE PAGE 08-0037	
6	527340D1		COVER KIT PLATE	W/SEAL
7	521912D1	1	VALVE CONTROL SEE PAGE 09-0018	
	402438X1	2	SEAL	
8	527342D1		CLAMP KIT	
9	527365D1		PROPORTIONAL CARTRIDGE THIS KIT SERVICED ONLY AS A COMPLETE PACKAGE SEE PAGE 08-0021	3/4"
10	527366D1		SOLENOID DIRECTIONAL SEE PAGE 08-0022	
11	530647D1		KIT, COUPLING THREADED	
12	530652D1		KIT, COUPLING COUPLER	
13	532040D1		VALVE SEAL KIT	
14	532042D1		RELIEF VALVE SEAL KIT SEE PAGE 08-0046	
15	532045D1		SPOOL KIT COMPENSATOR	
16	532399D1		SLEEVE VALVE	
17	532449D1		RELIEF VALVE SEAL KIT SEE PAGE 08-0045	
18	400070X1		HEX SOCKET HEAD BOLT	M6 X 1 X 35MM, CL10.9

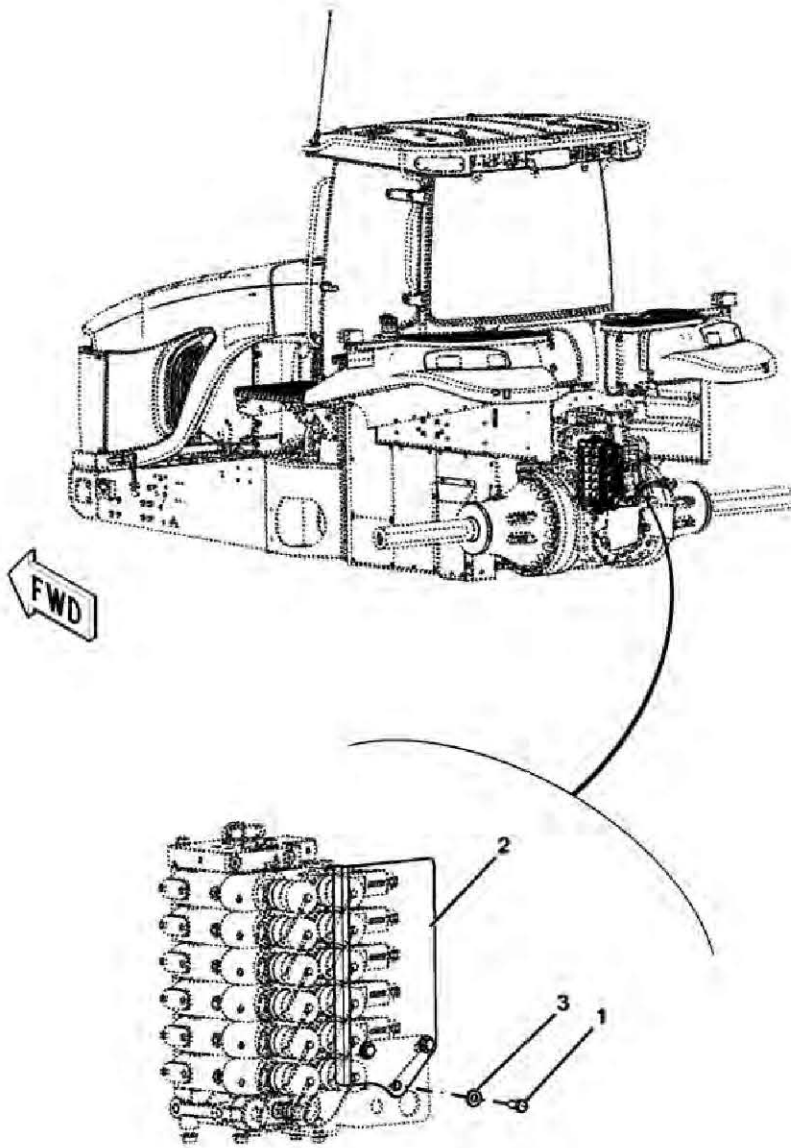
569510D1-1-AA243



569510D1 - VALVE COVER GROUP

ITEM	PART NUMBER	QTY	DESCRIPTION COMMENTS	TECHNICAL SPECIFICATION
1	400039X1	3	HEXAGONAL HEAD BOLT	M10 X 1.5 X 25MM, CL10.9
2	569509D1	1	BRACKET	
3	CH7X-7729	3	FLAT WASHER	11MM X 25MM X 3MM

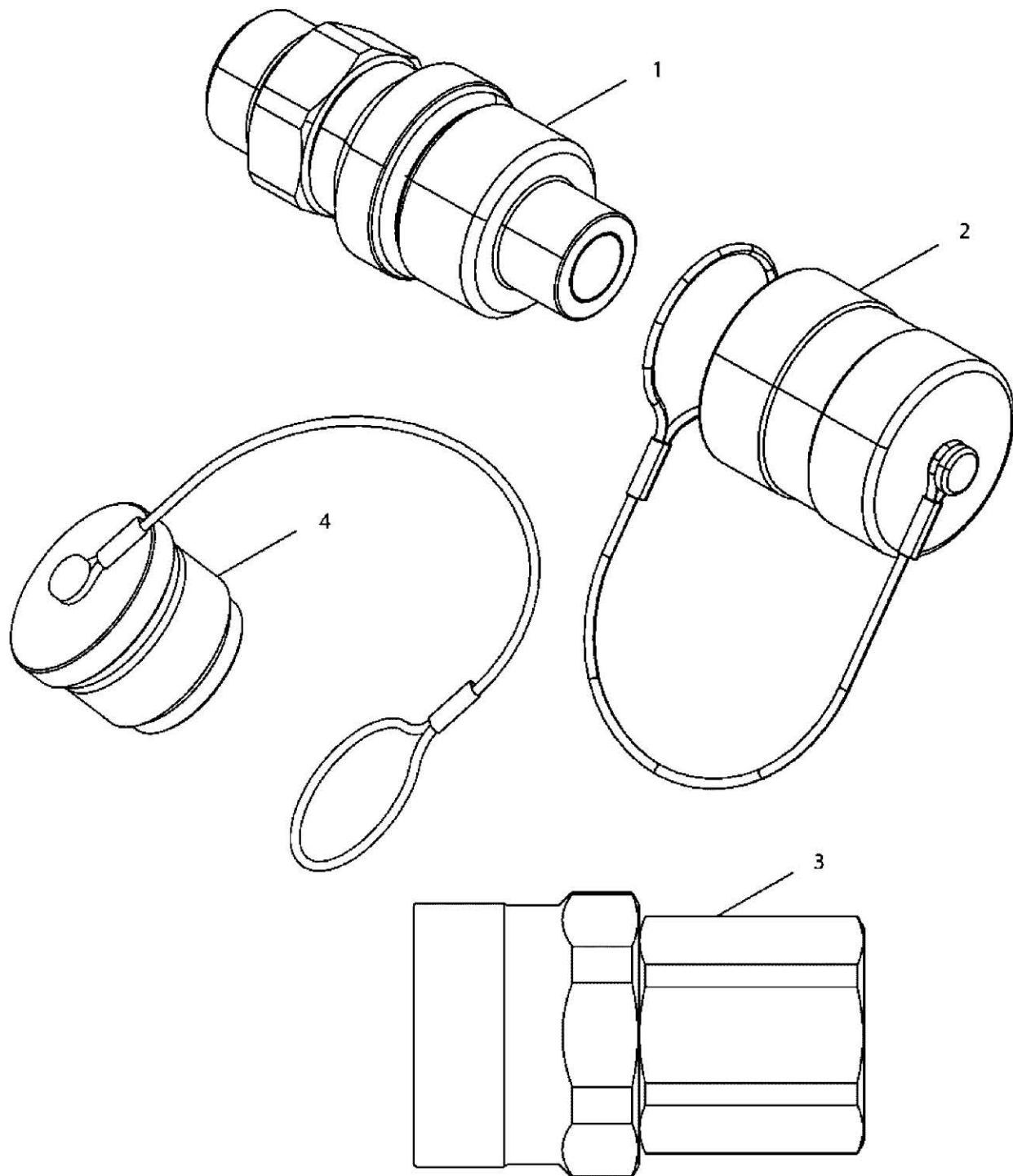
569512D1-1-AA243



569512D1 - VALVE COVER GROUP

ITEM	PART NUMBER	QTY	DESCRIPTION COMMENTS	TECHNICAL SPECIFICATION
1	400039X1	3	HEXAGONAL HEAD BOLT	M10 X 1.5 X 25MM, CL10.9
2	569511D1	1	BRACKET	
3	CH7X-7729	3	FLAT WASHER	11MM X 25MM X 3MM

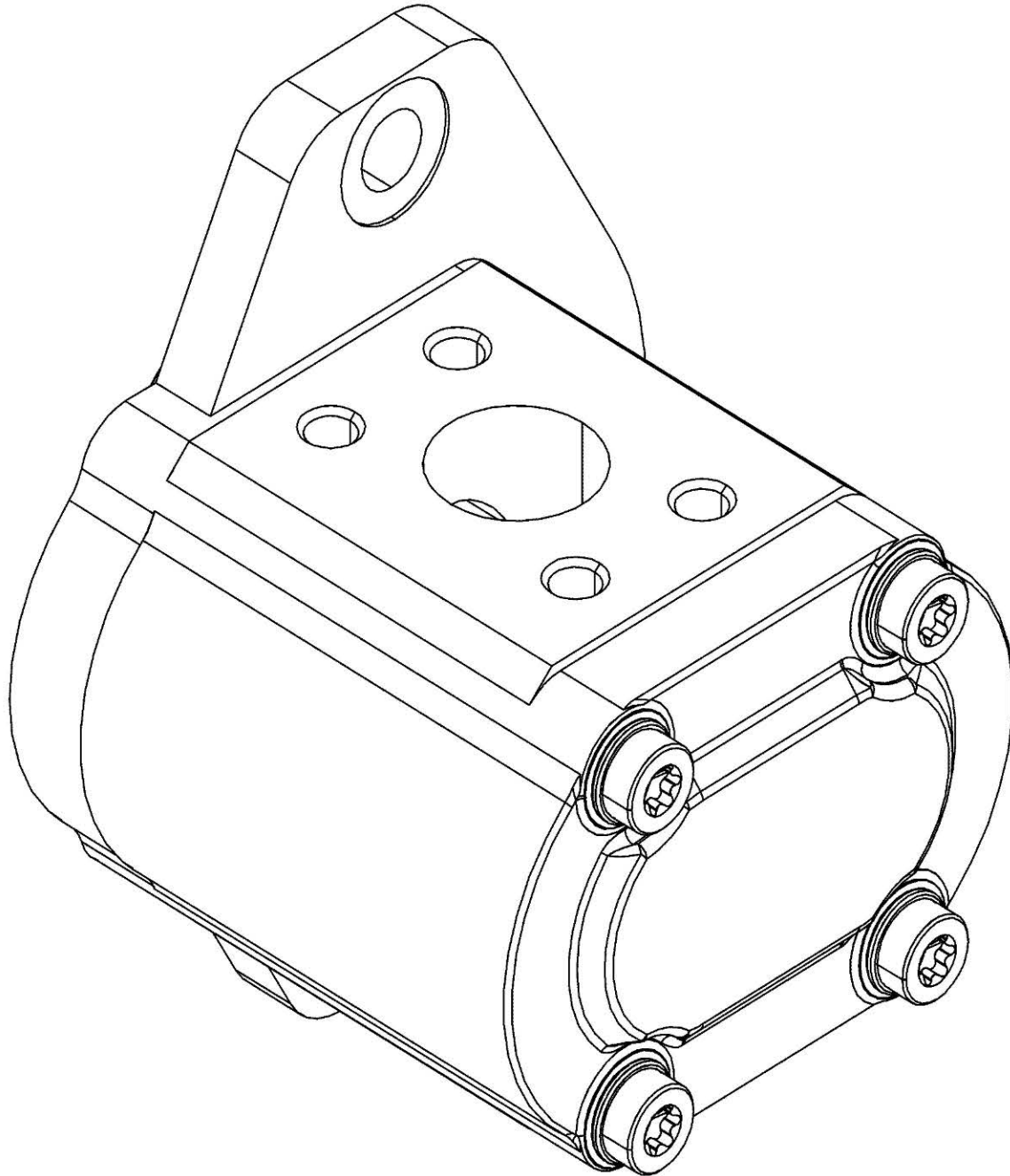
569518D1-02-AA297-01



569518D1 - MALE COUPLER GROUP, VEP 15

ITEM	PART NUMBER	QTY	DESCRIPTION COMMENTS	TECHNICAL SPECIFICATION
1	546609D1	1	COUPLER AND ADAPTER KIT	
	400376X1	1	O-RING	29.74MM ID X 2.95MM
	CH4J-0522	1	O-RING	37.69MM ID X 3.53MM
2	546616D1	1	VALVE CAP	
3	546610D1		FEMALE COUPLER	3/4 BODY
4	546617D1	1	DUST PLUG	M45X3 MALE THD 3/4 BODY
	CH4J-0522	1	O-RING	37.69MM ID X 3.53MM

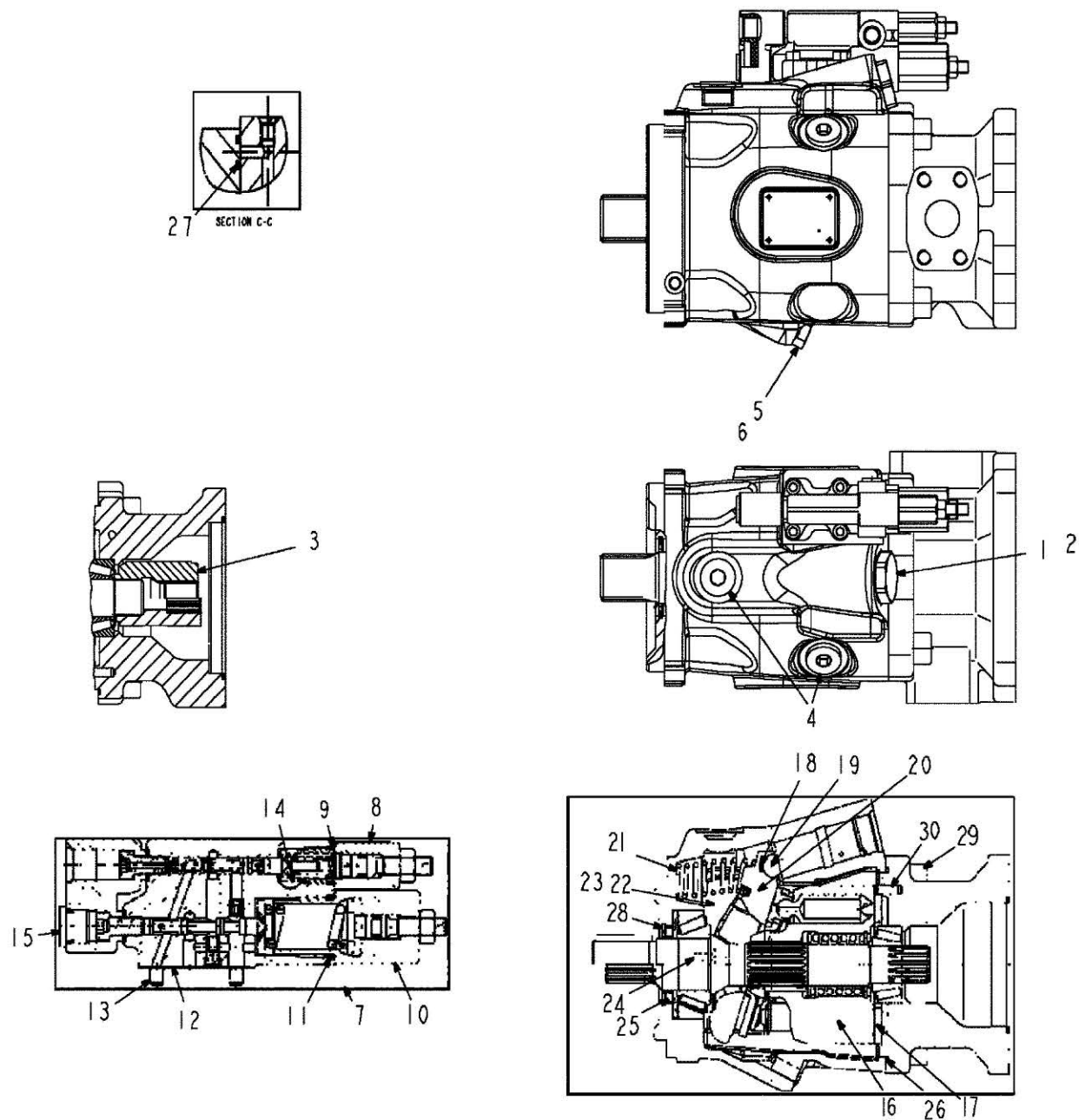
505637D1-03-W376



505637D1 - HYDRAULIC GEAR PUMP, 36CC

ITEM	PART NUMBER	QTY	DESCRIPTION COMMENTS	TECHNICAL SPECIFICATION
	520624D1	1	SHAFT SEAL	
	520840D1	1	SEAL KIT INTERNAL	

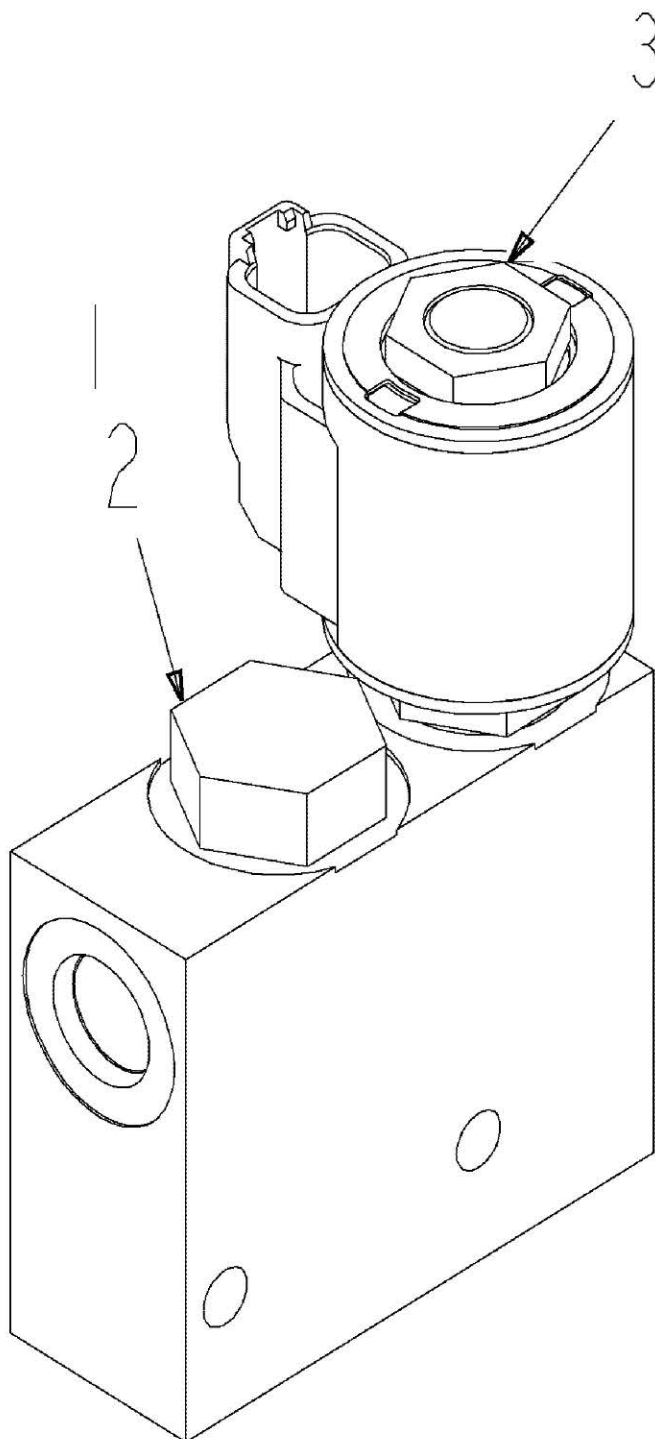
520271D1-03-W376



520271D1 - HYDRAULIC PISTON PUMP, 85CC

ITEM	PART NUMBER	QTY	DESCRIPTION COMMENTS	TECHNICAL SPECIFICATION
1	531057D1	1	CONTROL KIT PISTON, IMP	
	520603D1	1	PISTON CONTROL	
	520622D1	1	BEARING O-RING	
2	520625D1	1	O-RING	
3	520616D1	1	COUPLING	
4	400369X1	2	SOCKET HEAD PLUG	-10 STOR
	400319X1	1	O-RING	19.18MM ID X 2.46MM
5	520604D1	1	PLUG	
6	520605D1	1	O-RING	
7	520606D1	1	CONTROL VALVE SEE PAGE 08-0073	
8	520620D1	1	ADJUSTMENT VALVE	
9	CH033-6043	1	O-RING	14MM ID X 1.78MM
10	520623D1	1	ADJUSTMENT VALVE ADJUSTMENT	
11	CH6V-8352	1	O-RING SEAL	23.47 X 2.62
12	513630D1	1	GASKET	
13	400246X1	4	HEX SOCKET HEAD BOLT	M6 X 1.0 X 30MM, CL12.9
14	400947X1	1	HEX PLUG	7/16-20
	400361X1	1	O-RING	8.92MM ID X 1.83MM
15	CH162-0177	1	PLUG	9/16"-18
	400318X1	1	O-RING	11.89MM ID X 1.98MM
16	520607D1	1	ROTARY TRANS	
17	520608D1	1	DISTRIBUTOR PLATE	
18	520609D1	1	SPRING	
19	520610D1	1	BALL	
20	520611D1	1	PLATE	
21	520613D1	1	SPRING	
22	520617D1	1	BEARING	
23	520618D1	1	BEARING	
24	520619D1	2	SCREW	M5 X 16MM
25	CH168-7319	25	SEAL	28MM ID X 40MM OD X 6MM
26	CH117-8801	1	O-RING SEAL	126.67 X 2.62
27	CH168-3504	2	SEAL	7.65MM ID X 1.68MM SQ
28	CH180-6213	1	INTERNAL RETAINING RING	56.20MM OD X 2MM
29	CH095-0687	4	HEX SOCKET HEAD BOLT	M14 X 2 X 35MM
30	CH9X-8979	1	DOWEL	

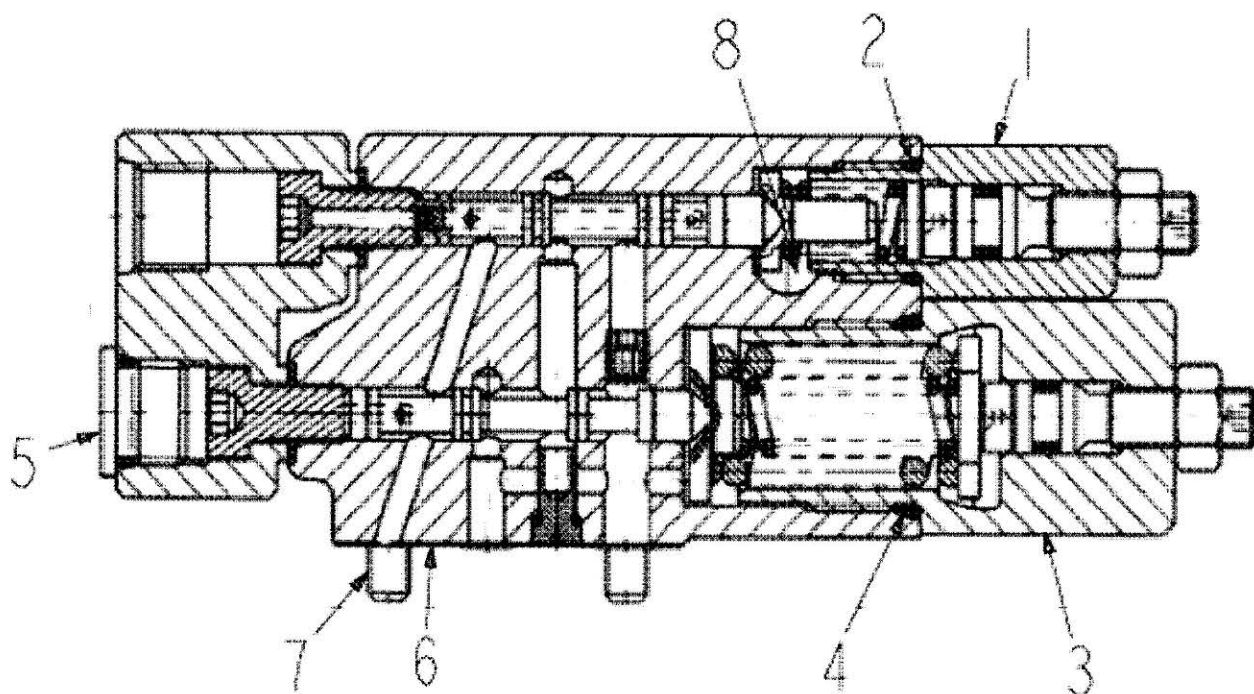
523899D1-01-T297



523899D1 - LOAD SHUTTLE BLOCKING VALVE ASSEMBLY

ITEM	PART NUMBER	QTY	DESCRIPTION COMMENTS	TECHNICAL SPECIFICATION
1	AG714778	1	LOADER AG726312 IS ORIFICE ADDED UNDER LOAD SHUTTLE IN 1254 BLOCKS THE SEAL KITS FOR THIS LOAD SHUTTLE ARE AG714832 WHICH IS A BUNA KIT OR AG713329 WHICH IS A POLY KIT.	
	AG714832	1	SEAL KIT	
	AG713329	1	SEAL KIT	
2	500292D1	1	SEAL KIT	
3	524028D1	1	CARTRIDGE VALVE SEE PAGE 08-0074	12 VDC
	522780D1	1	SEAL KIT	
	502459D1	1	HEX NUT	1/2"-20
	71442740	1	COIL	E 08 SIZE ZENER DT04

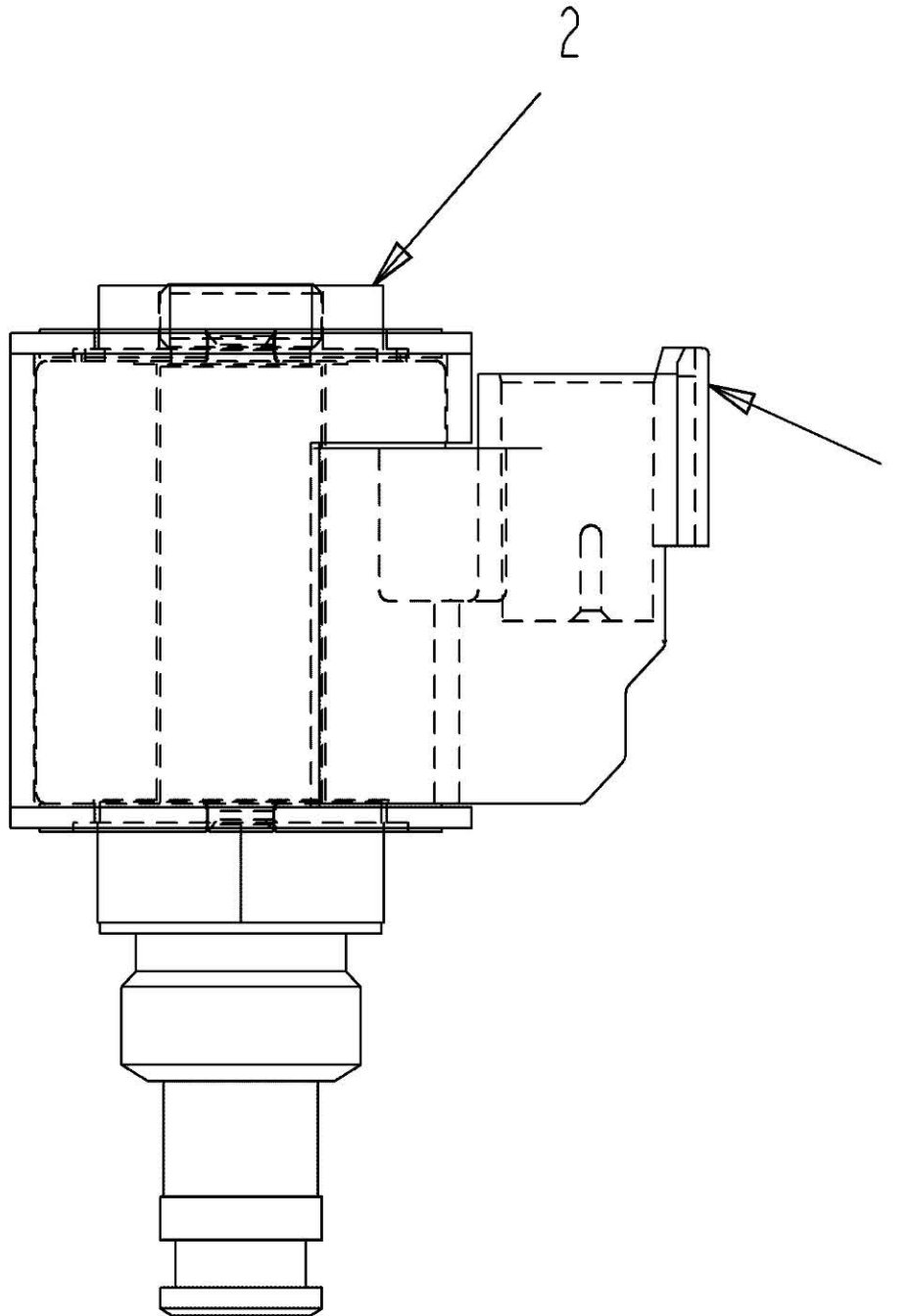
520606D1-01-R504



520606D1 - PUMP CONTROL VALVE GROUP

ITEM	PART NUMBER	QTY	DESCRIPTION COMMENTS	TECHNICAL SPECIFICATION
1	520620D1	1	ADJUSTMENT VALVE	
2	CH033-6043	1	O-RING	14MM ID X 1.78MM
3	520623D1	1	ADJUSTMENT VALVE	
4	CH6V-8352	1	O-RING SEAL	23.47 X 2.62
5	CH162-0177	1	PLUG	9/16"-18
	400318X1	1	O-RING	11.89MM ID X 1.98MM
6	513630D1	1	GASKET	
7	400246X1	4	HEX SOCKET HEAD BOLT	M6 X 1.0 X 30MM, CL12.9
8	400947X1	1	HEX PLUG	7/16-20
	400361X1	1	O-RING	8.92MM ID X 1.83MM

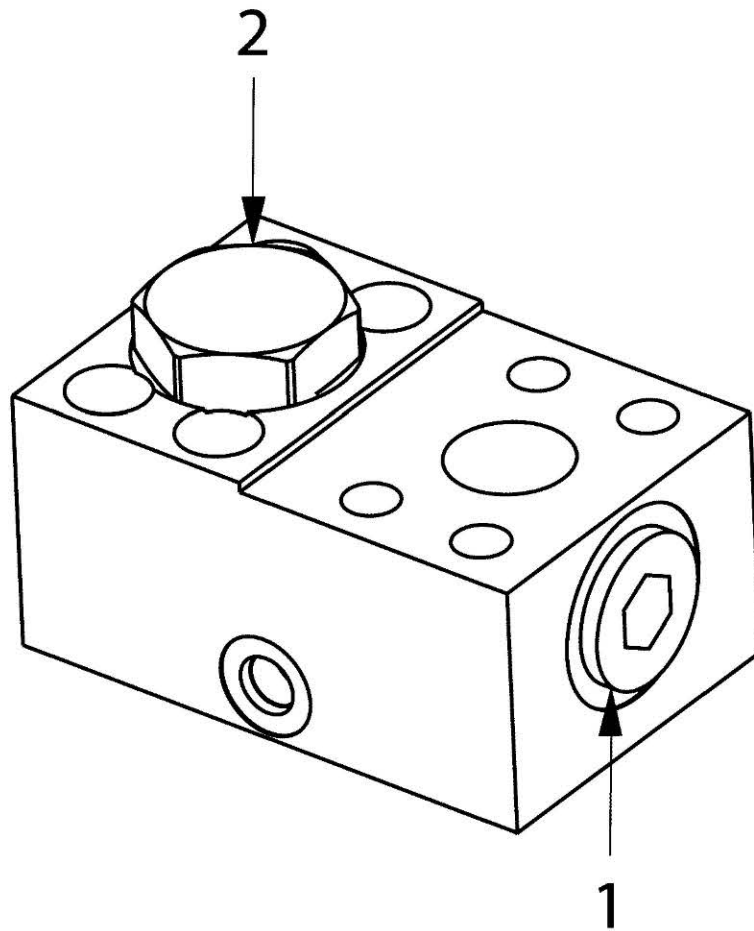
524028D1-01-T297



524028D1 - SOLENOID VALVE ASSEMBLY, NORMALLY OPEN

ITEM	PART NUMBER	QTY	DESCRIPTION COMMENTS	TECHNICAL SPECIFICATION
1	71442740	1	COIL	E 08 SIZE ZENER DT04
2	502459D1	1	HEX NUT	1/2"-20
	522780D1	1	SEAL KIT NOT SHOWN	

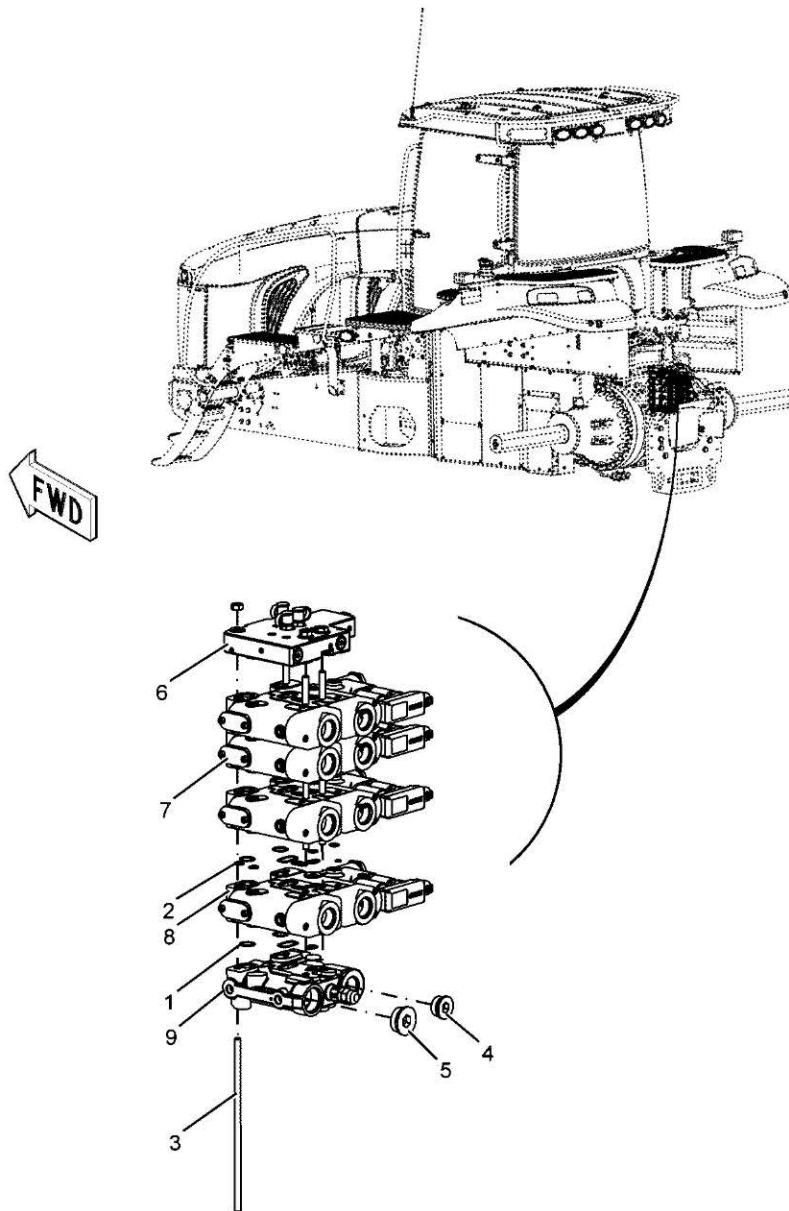
538954D1-1-AA580



538954D1 - CHECK VALVE ASSEMBLY - IMPLEMENT

ITEM	PART NUMBER	QTY	DESCRIPTION COMMENTS	TECHNICAL SPECIFICATION
1	401336X1	1	PLUG	20 ORFS (2), 90D
	400416X1	1	O-RING	23.47MM ID X 2.95MM
2	538951D1	1	CHECK VALVE	
	AG721907	1	SEAL KIT	

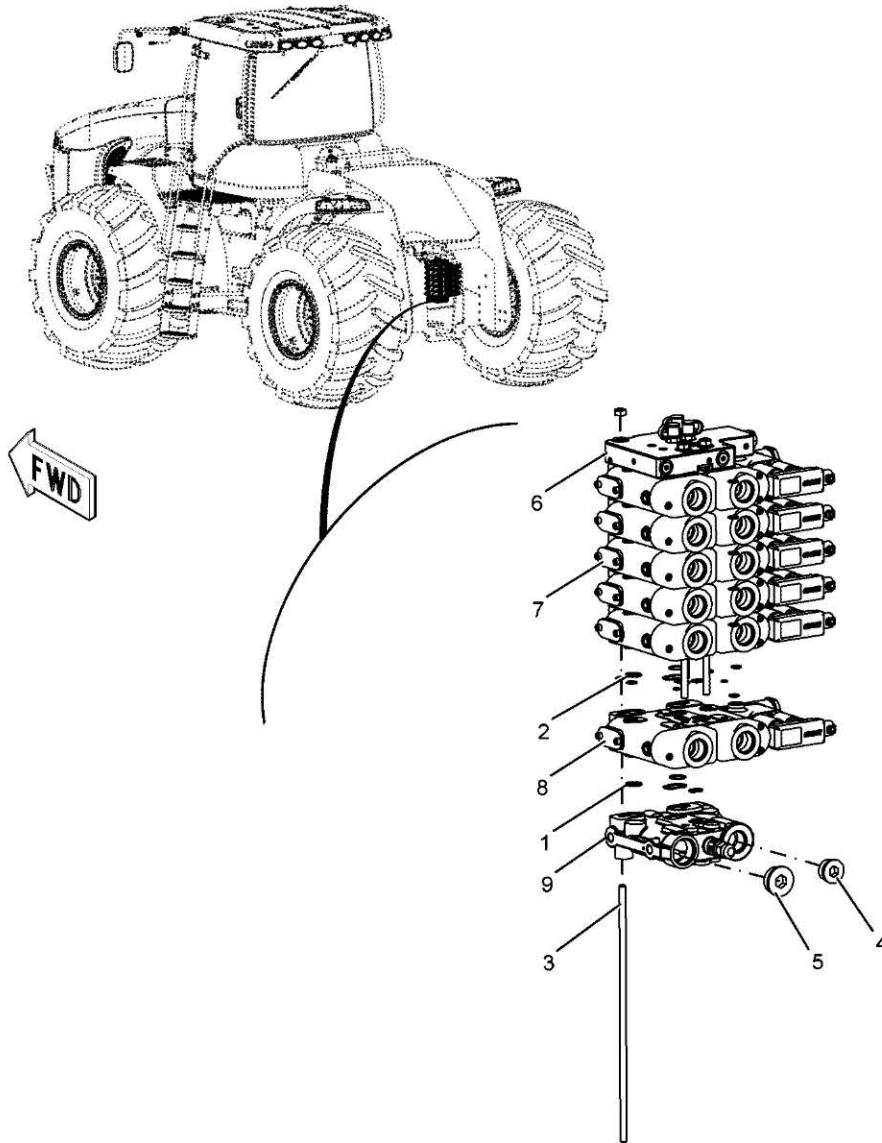
546602D1-2-AA243



546602D1 - 4 BANK VALVE GROUP, HIGH FLOW, THREADED PORT

ITEM	PART NUMBER	QTY	DESCRIPTION COMMENTS	TECHNICAL SPECIFICATION
1	527312D1	1	SEAL KIT PARTS ARE SUPPLIED ONLY IN KIT.	
2	527367D1	1	SEAL KIT PARTS ARE SUPPLIED ONLY IN KIT.	
3	527356D1	1	KIT, ROD SERVICED ONLY AS A KIT.	
4	400370X1	1	HEX SOCKET HEAD PLUG	1-5/16"-12, -16 STOR
	400376X1	1	O-RING	29.74MM ID X 2.95MM
5	CH183-3902	1	PLUG	1 5/8"-12, 20 STOR
	CH183-2317	1	O-RING	
6	522106D1	1	END COVER STACK SEE PAGE 08-0006	
7	546604D1	1	VALVE SEE PAGE 08-0078	2 PORT, 5/16-12
8	546618D1	1	VALVE SEE PAGE 08-0066	2 PORT, 5/16-12
9	522104D1	1	HYDRAULIC VALVE IMPLEMENT INLET SEE PAGE 08-0005	

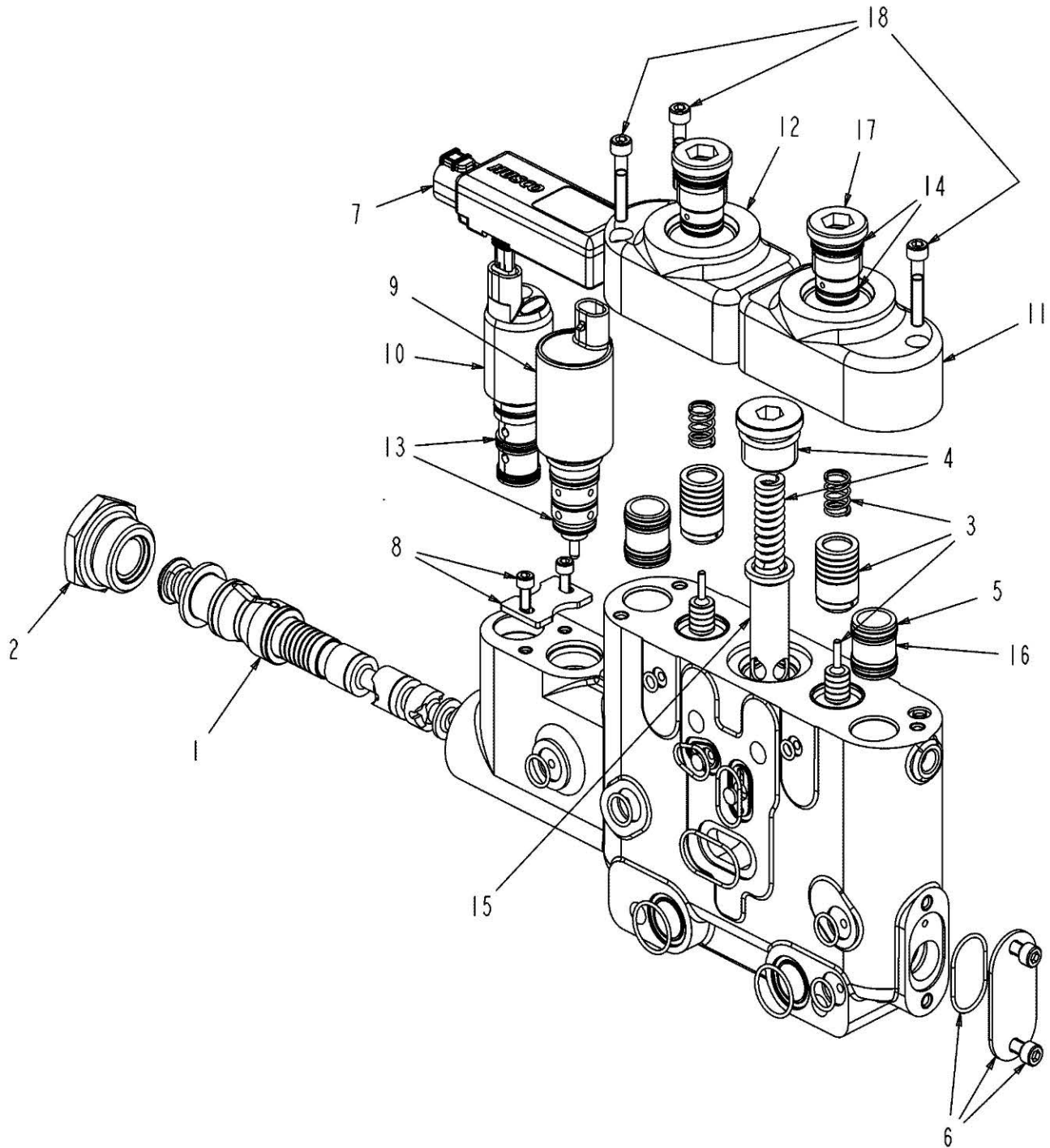
546603D1-2-AA243



546603D1 - 6 BANK VALVE GROUP, HIGH FLOW, THREADED PORT

ITEM	PART NUMBER	QTY	DESCRIPTION COMMENTS	TECHNICAL SPECIFICATION
1	527312D1	1	SEAL KIT PARTS ARE SUPPLIED ONLY IN KIT.	
2	527367D1	1	SEAL KIT PARTS ARE SUPPLIED ONLY IN KIT.	
3	527360D1	1	KIT, ROD SERVICED ONLY AS A KIT.	
4	400370X1	1	HEX SOCKET HEAD PLUG	1-5/16"-12, -16 STOR
	400376X1	1	O-RING	29.74MM ID X 2.95MM
5	CH183-3902	1	PLUG	1 5/8"-12, 20 STOR
	CH183-2317	1	O-RING	
6	522106D1	1	END COVER STACK SEE PAGE 08-0006	
7	546604D1	1	VALVE SEE PAGE 08-0078	2 PORT, 5/16-12
8	546618D1	1	VALVE THREADED PORTS SEE PAGE 08-0066	2 PORT, 5/16-12
9	522104D1	1	HYDRAULIC VALVE IMPLEMENT INLET SEE PAGE 08-0005	

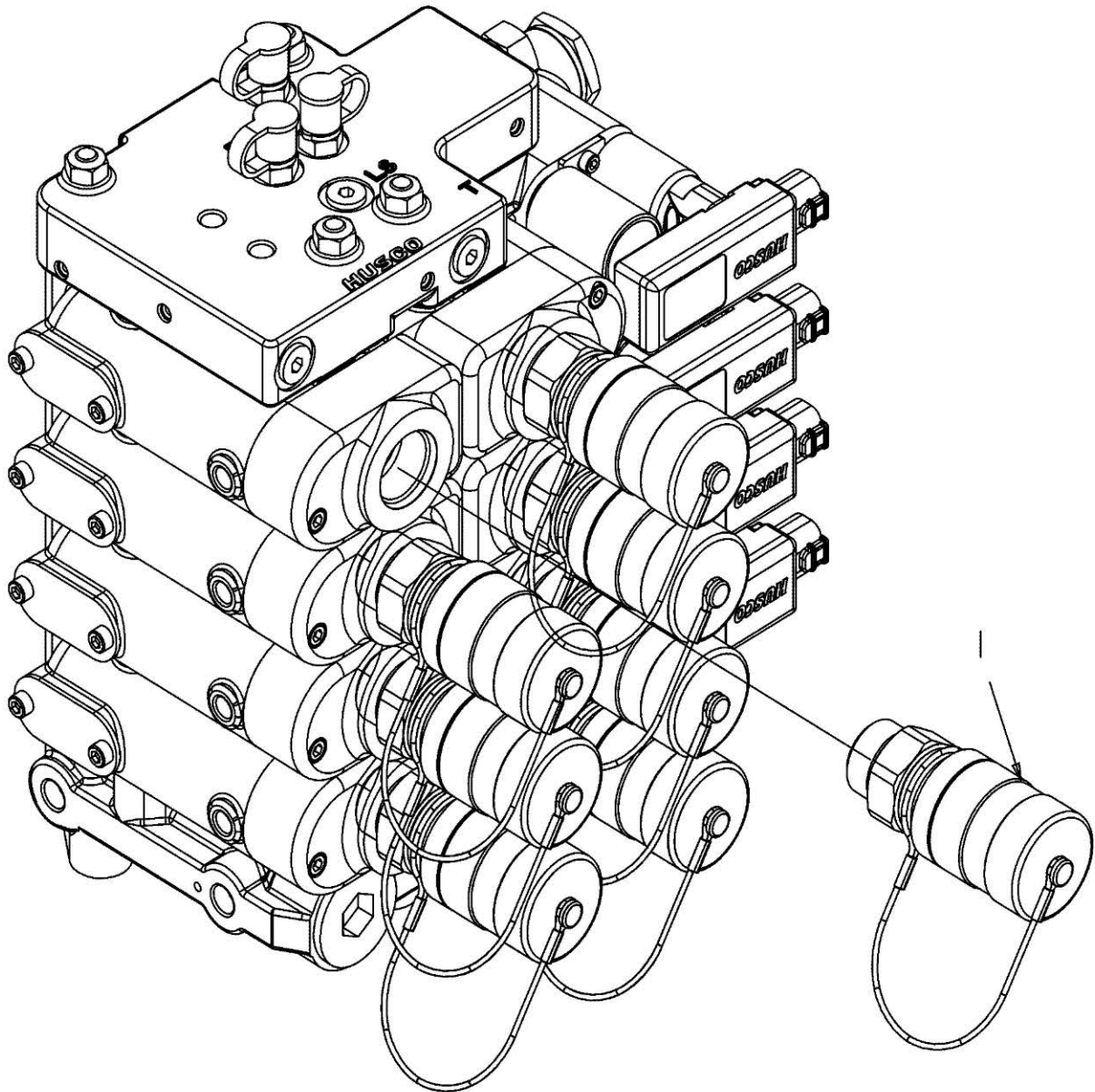
546604D1-2-AA243



546604D1 - HIGH FLOW VALVE WITH THREADED PORTS

ITEM	PART NUMBER	QTY	DESCRIPTION COMMENTS	TECHNICAL SPECIFICATION
1	527309D1	1	VALVE SERVICE KIT SERVICED ONLY AS A KIT. SEE PAGE 08-0017	
2	527331D1	1	HEX HEAD PLUG	
3	543028D1	1	POPPET VALVE KIT SEE PAGE 08-0040	
4	527333D1	1	KIT, SPRING SEE PAGE 08-0054	
5	527334D1	1	SEAL KIT KIT CAN BE USED IN BOTH WORK PORTS SERVICED AS A KIT ONLY SEE PAGE 08-0037	
6	527340D1	1	COVER KIT PLATE	W/SEAL
7	521912D1	1	VALVE CONTROL SEE PAGE 09-0018	
8	527342D1	1	CLAMP KIT	
9	527365D1	1	PROPORTIONAL CARTRIDGE THIS KIT SERVICED ONLY AS A COMPLETE PACKAGE SEE PAGE 08-0021	3/4"
10	527366D1	1	SOLENOID DIRECTIONAL SEE PAGE 08-0022	
11	530647D1	1	KIT, COUPLING THREADED	
12	530652D1	1	KIT, COUPLING COUPLER	
13	532040D1	1	VALVE SEAL KIT VALVE	
14	532042D1	1	RELIEF VALVE SEAL KIT SEE PAGE 08-0046	
15	532045D1	1	SPOOL KIT COMPENSATOR	
16	532399D1	1	SLEEVE VALVE	
17	532449D1	1	RELIEF VALVE SEAL KIT SEE PAGE 08-0046	
18	400070X1	1	HEX SOCKET HEAD BOLT	M6 X 1 X 35MM, CL10.9

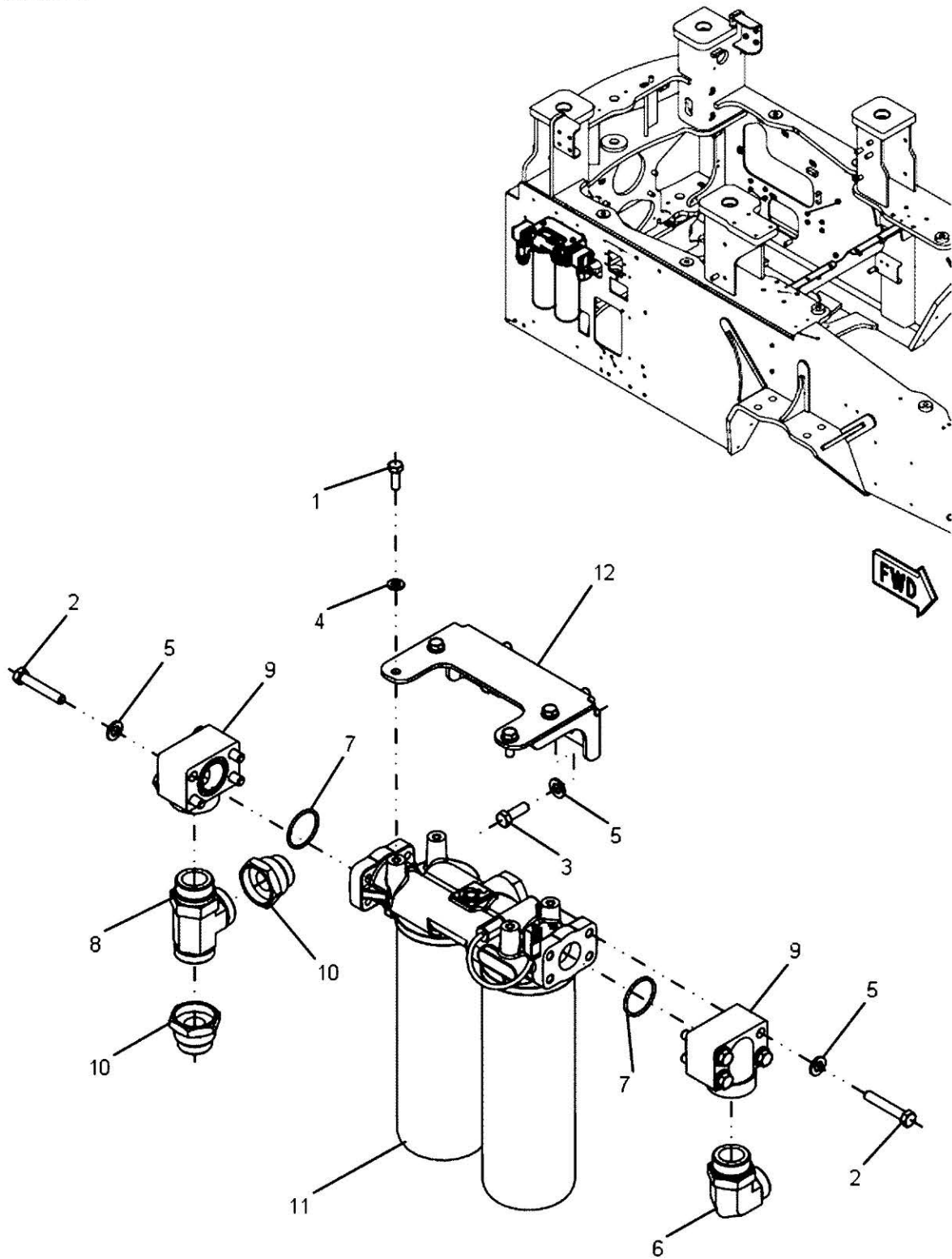
546607D1-2-AA243



546607D1 - HIGH FLOW STUCCHI 4 VALVE THREADED COUPLER GROUP

ITEM	PART NUMBER	QTY	DESCRIPTION COMMENTS	TECHNICAL SPECIFICATION
1	569518D1	8	MALE COUPLER SEE PAGE 08-0069	M45X3 MALE THD 3/4 BODY

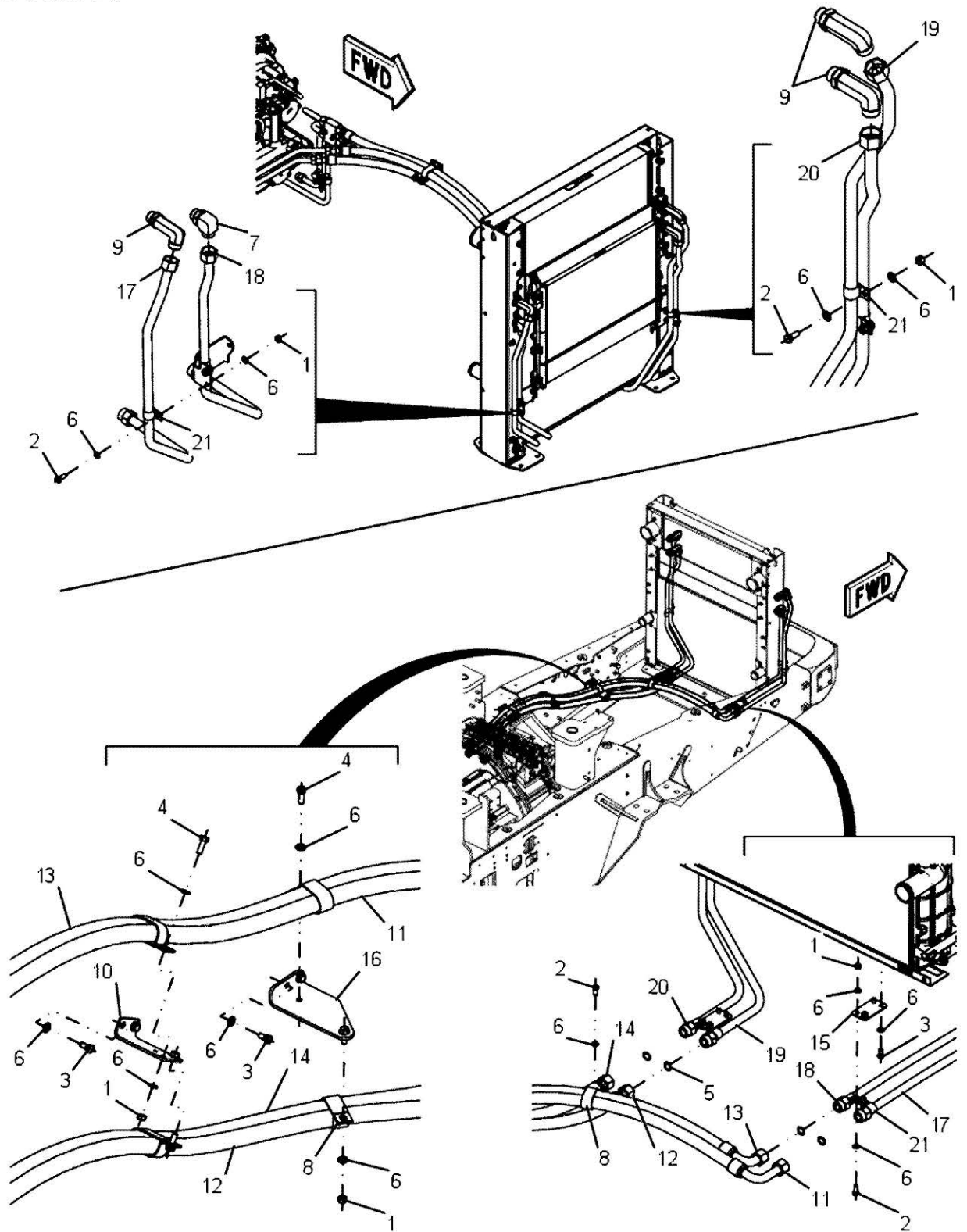
564188D1-3



564188D1 - HYDRAULIC FILTER GROUP - IMPLEMENT

ITEM	PART NUMBER	QTY	DESCRIPTION COMMENTS	TECHNICAL SPECIFICATION
1	400058X1	4	HEXAGONAL HEAD BOLT	M10 X 1.5 X 30MM
2	400062X1	8	HEXAGONAL HEAD BOLT	M12 X 1.75 X 70MM, CL10.9
3	400064X1	4	HEXAGONAL HEAD BOLT	M12 X 1.75MM X 35MM, CL10.9
4	400287X1	4	FLAT WASHER	11MM X 21MM X 2.5MM
5	400357X1	12	FLAT WASHER	M12 X 25.5 X 3MM
6	401021X1	1	ELBOW FITTING	24 MO-R X 20 O-RFS. 90D
	400365X1	1	O-RING	33.57MM OD X 1.78MM
	CH6K-6307	1	O-RING	43.69MM ID X 3MM
7	401094X1	2	O-RING	47.22MM ID X 3.53MM
8	402135X1	1	TEE FITTING	2 X 1-1/2" ORFS X 1-1/2" STOR
	CH6K-6307	1	O-RING	43.69MM ID X 3MM
	401111X1	2	O-RING	37.8MM ID X 1.78MM DIA
9	402620X1	2	ELBOW FITTING	-24 FLANGE X -24 STOR
10	402661X1	2	REDUCER	1-1/2" ORFS X 1-1/4" ORFS
	400365X1	1	O-RING	33.57MM OD X 1.78MM
11	557982D1	1	PRESSURE SWITCH SEE PAGE 09-0020	
	566098D1	1	HYDRAULIC FILTER ASSEMBLY	
	534039D1	2	FILTER ELEMENT	
	400360X1	1	O-RING SEAL	7.65MM X 1.78MM
	400318X1	1	O-RING	11.89MM ID X 1.98MM
	400562X1	2	ELECTRICAL CONNECTOR	16-18 AWG
	400555X1	-	SLEEVE BULK: 140 MM	
	400484X1	1	CONNECTOR RECEPTACLE	
	400511X1	1	LOCK	
12	577442D1	1	FILTER BRACKET	

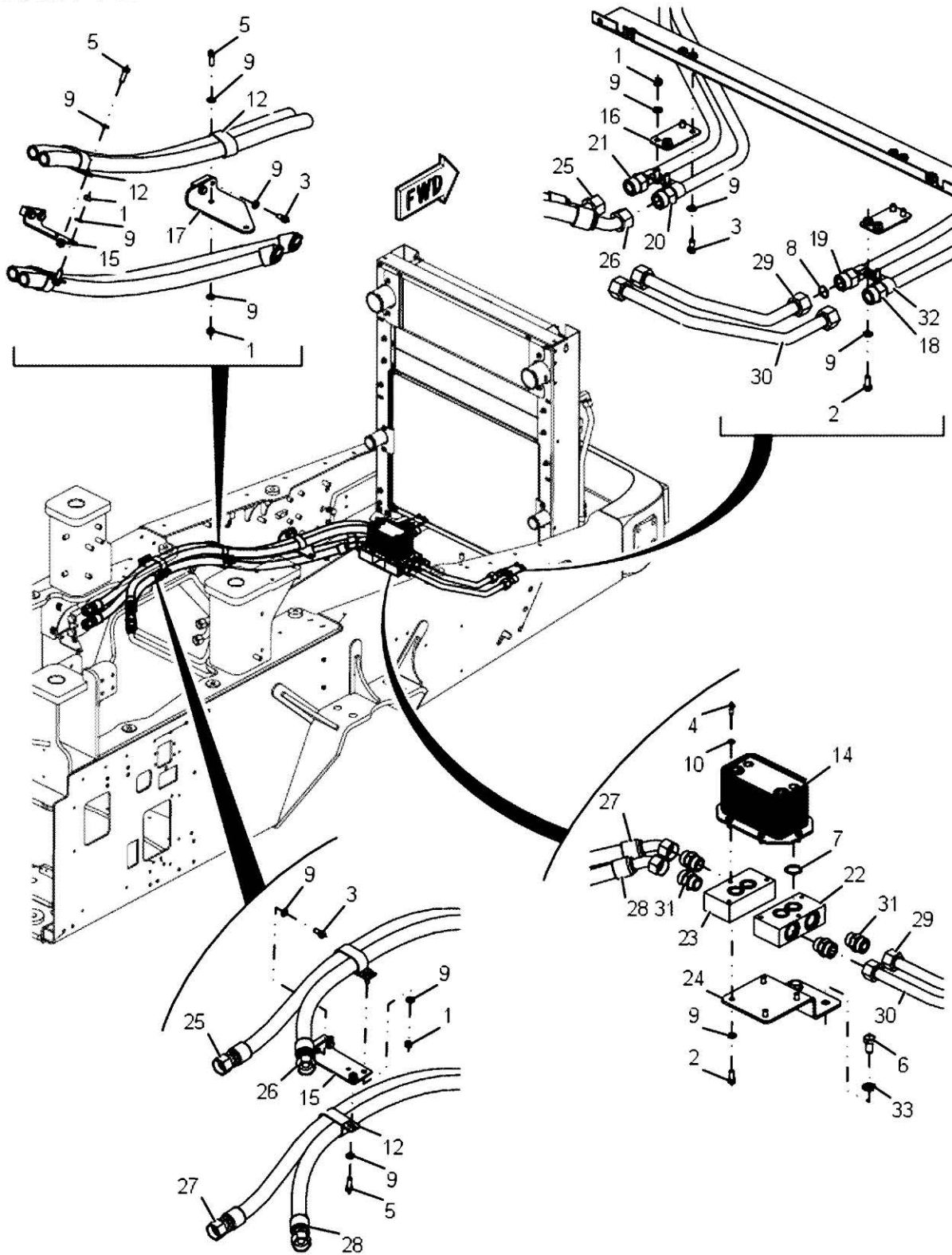
574235D1-3



574235D1 - HYDRAULIC COOLER - LINES

ITEM	PART NUMBER	QTY	DESCRIPTION COMMENTS	TECHNICAL SPECIFICATION
1	7774664	14	HEX NUT	M10 X 1.5
2	400039X1	9	HEXAGONAL HEAD BOLT	M10 X 1.5 X 25MM, CL10.9
3	400040X1	10	HEXAGONAL HEAD BOLT	M10 X 1.5 X 20MM, CL10.9
4	400058X1	6	HEXAGONAL HEAD BOLT	M10 X 1.5 X 30MM
5	400123X1	4	O-RING	27.22MM OD X 1.78MM
6	400287X1	39	FLAT WASHER	11MM X 21MM X 2.5MM
7	400580X1	1	ELBOW FITTING	16 STOR X 16 ORFS, 90D
	400376X1	1	O-RING	29.74MM ID X 2.95MM
	400123X1	1	O-RING	27.22MM OD X 1.78MM
8	400595X1	7	P-CLIP	38.1MM, DOUBLE
9	401294X1	3	ELBOW FITTING	90L -16STOR X -16ORFS
	400123X1	1	O-RING	27.22MM OD X 1.78MM
	400376X1	1	O-RING	29.74MM ID X 2.95MM
10	556460D2	2	BRACKET	
11	564405D1	1	HYDRAULIC HOSE	25.4MM X 2552MM
12	564406D1	1	HYDRAULIC HOSE	25.4MM X 2107MM
13	564407D1	1	HYDRAULIC HOSE	25.4MM X 2588MM
14	564408D1	1	HYDRAULIC HOSE	25.4MM X 2075MM
15	568482D2	2	BRACKET	
16	568520D2	1	BRACKET	
17	574231D1	1	COOLER HOSE	22MM X 787MM
18	574232D1	1	COOLER HOSE	22MM X 774MM
19	574233D1	1	COOLER HOSE	22MM X 759MM
20	574234D1	1	COOLER HOSE	22MM X 831MM
21	CH4S-1962	8	P-CLIP	25.4MM ID

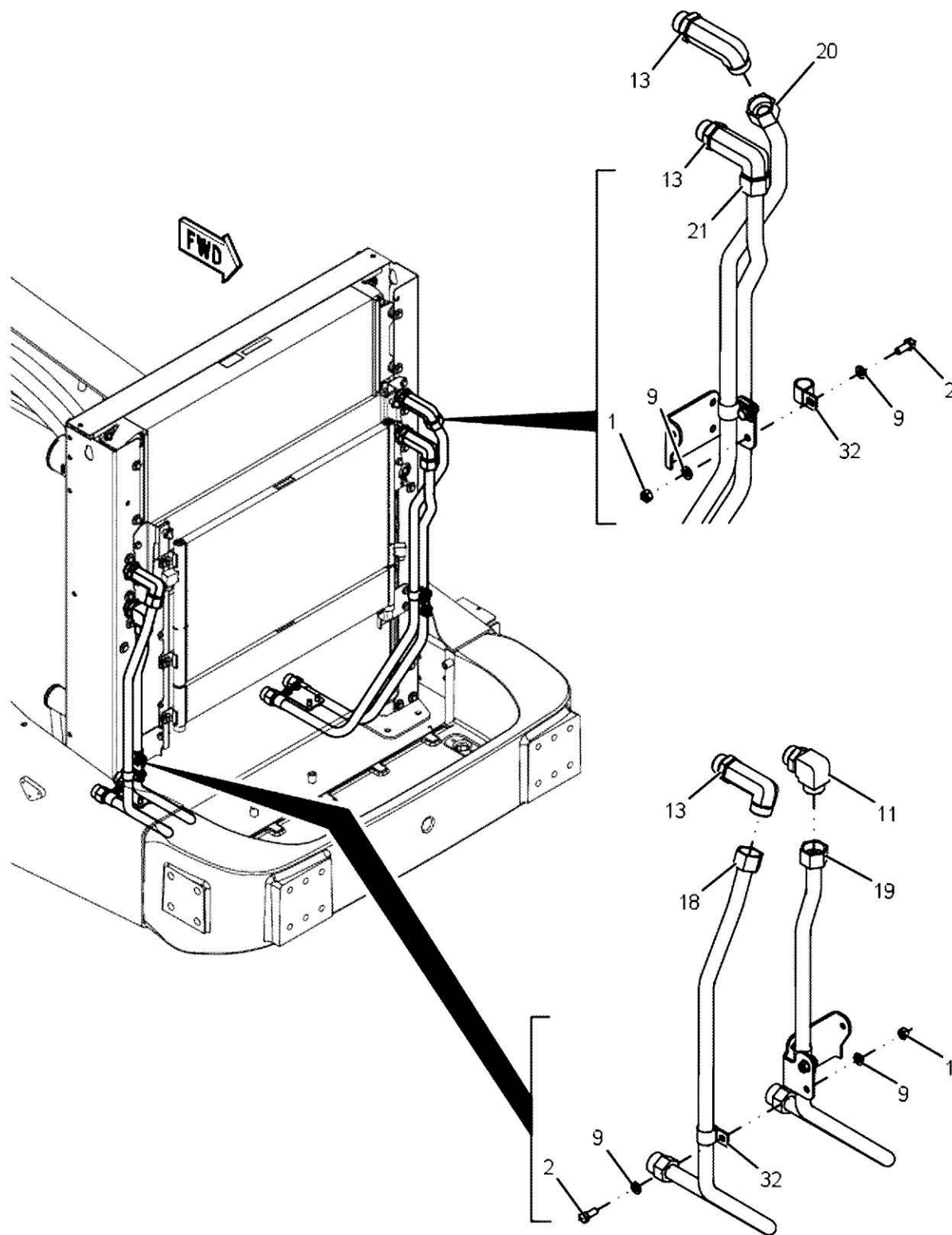
597020D1-1-01



597020D1 - HYDRAULIC GROUP - OIL COOLER / HEAT EXCHANGER

ITEM	PART NUMBER	QTY	DESCRIPTION COMMENTS	TECHNICAL SPECIFICATION
1	7774664	13	HEX NUT	M10 X 1.5
2	400039X1	12	HEXAGONAL HEAD BOLT	M10 X 1.5 X 25MM, CL10.9
3	400040X1	10	HEXAGONAL HEAD BOLT	M10 X 1.5 X 20MM, CL10.9
4	400053X1	6	HEXAGONAL HEAD BOLT	M8 X 1.25 X 20MM, CL10.9
5	400058X1	5	HEXAGONAL HEAD BOLT	M10 X 1.5 X 30MM
6	400088X1	2	HEXAGONAL HEAD BOLT	M16 X 2 X 30MM, CL9
7	400100X1	4	O-RING	32.92MM ID X 3.53MM
8	400123X1	4	O-RING	27.22MM OD X 1.78MM
9	400287X1	40	FLAT WASHER	11MM X 21MM X 2.5MM
10	400339X1	6	FLAT WASHER	9MM X 16MM X 2MM
12	400595X1	5	P-CLIP	38.1MM, DOUBLE
14	4380352M2	1	EXCHANGER	
15	556460D2	2	BRACKET	
16	568482D2	2	BRACKET	
17	568520D2	1	BRACKET	
18	574231D1	1	COOLER HOSE	22MM X 787MM
19	574232D1	1	COOLER HOSE	22MM X 774MM
20	574233D1	1	COOLER HOSE	22MM X 759MM
21	574234D1	1	COOLER HOSE	22MM X 831MM
22	593270D1	1	MANIFOLD	RH
23	593271D1	1	MANIFOLD	LH
24	593272D1	1	MOUNTING BRACKET	
25	597021D1	1	HOSE ASSY	
26	597022D1	1	HOSE ASSY	
27	597023D1	1	HOSE ASSY	
28	597024D1	1	HOSE ASSY	
29	597654D1	1	TUBE ASSY	
30	597655D1	1	TUBE ASSY	
31	CH148-8335	4	CONNECTOR	16 STOR X 16 ORFS
	400376X1	1	O-RING	29.74MM ID X 2.95MM
	400123X1	1	O-RING	27.22MM OD X 1.78MM
32	CH4S-1962	8	P-CLIP	25.4MM ID
33	CH8T-4122	2	FLAT WASHER	17MM X 32MM X 3.5MM

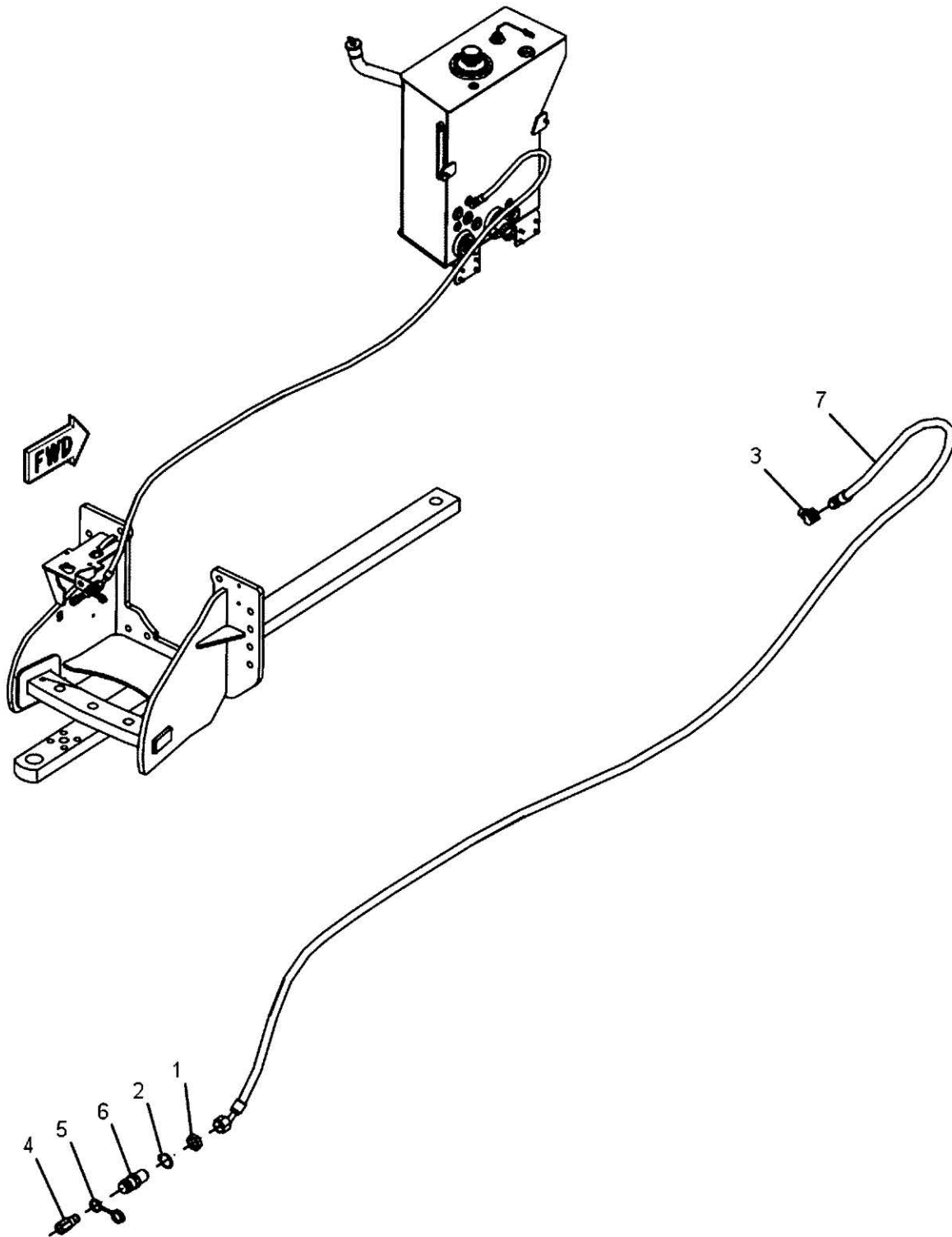
597020D1-1-02



597020D1 - HYDRAULIC GROUP - OIL COOLER / HEAT EXCHANGER

ITEM	PART NUMBER	QTY	DESCRIPTION COMMENTS	TECHNICAL SPECIFICATION
1	7774664	13	HEX NUT	M10 X 1.5
2	400039X1	12	HEXAGONAL HEAD BOLT	M10 X 1.5 X 25MM, CL10.9
9	400287X1	40	FLAT WASHER	11MM X 21MM X 2.5MM
11	400580X1	1	ELBOW FITTING	16 STOR X 16 ORFS, 90D
	400123X1	1	O-RING	27.22MM OD X 1.78MM
	400376X1	1	O-RING	29.74MM ID X 2.95MM
13	401294X1	3	ELBOW FITTING	90L -16STOR X -16ORFS
	400123X1	1	O-RING	27.22MM OD X 1.78MM
	400376X1	1	O-RING	29.74MM ID X 2.95MM
18	574231D1	1	COOLER HOSE	22MM X 787MM
19	574232D1	1	COOLER HOSE	22MM X 774MM
20	574233D1	1	COOLER HOSE	22MM X 759MM
21	574234D1	1	COOLER HOSE	22MM X 831MM
32	CH4S-1962	8	P-CLIP	25.4MM ID

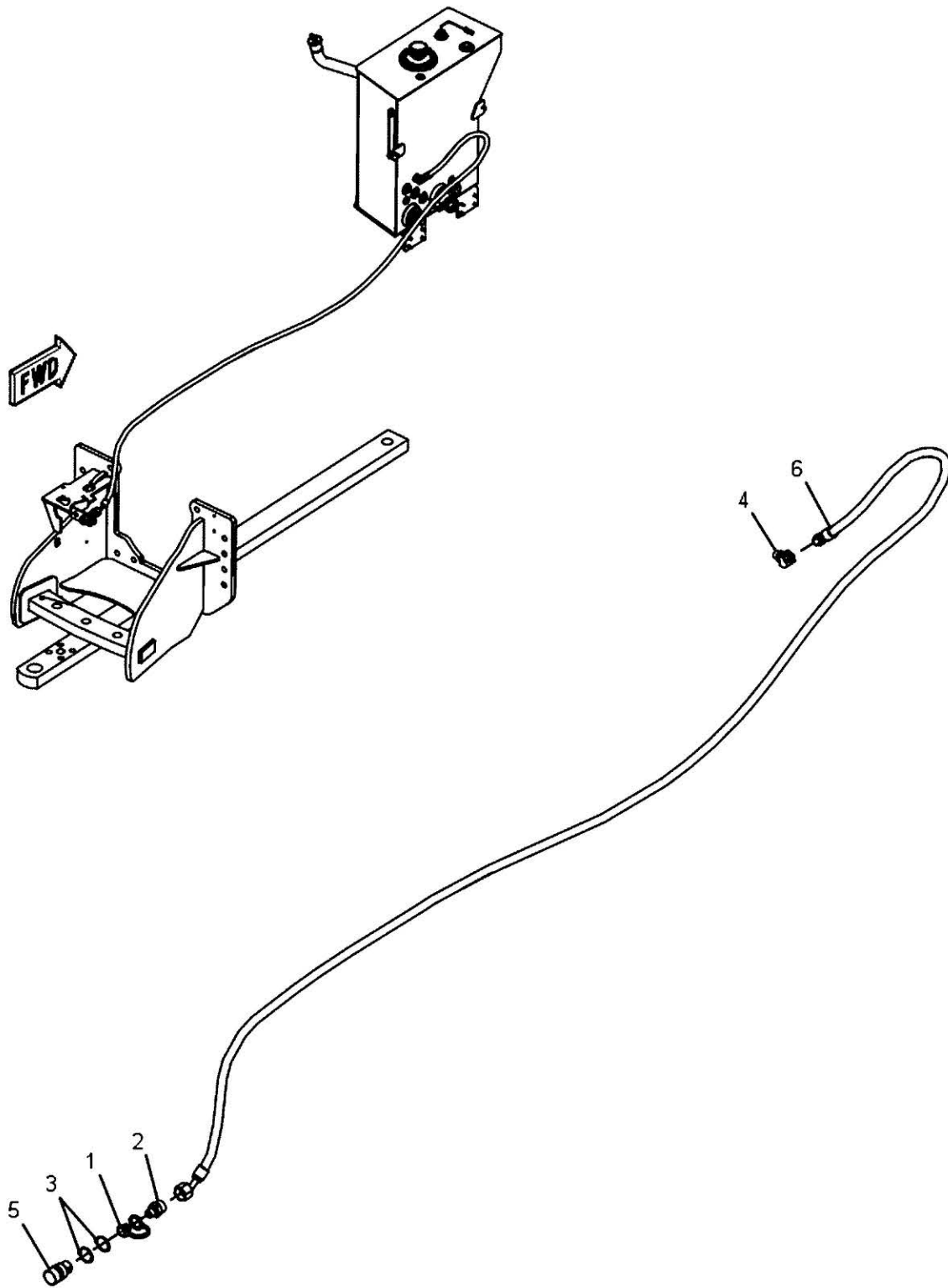
555516D1-2-



55516D1 - CASE DRAIN GROUP, FLAT FACE - DRAWBAR

ITEM	PART NUMBER	QTY	DESCRIPTION COMMENTS	TECHNICAL SPECIFICATION
1	400961X1	1	HEX NUT	1-3/16"-12
2	400968X1	1	SNAPRING	
3	400981X1	1	ELBOW FITTING	-8STOR X -8ORFS, 45D
4	502472D1	1	NIPPLE	-6 FFOR
5	502473D1	1	DUST CAP	
6	502475D1	1	COUPLER	
7	571698D1	1	DRAIN HOSE	12.7MM X 3963MM

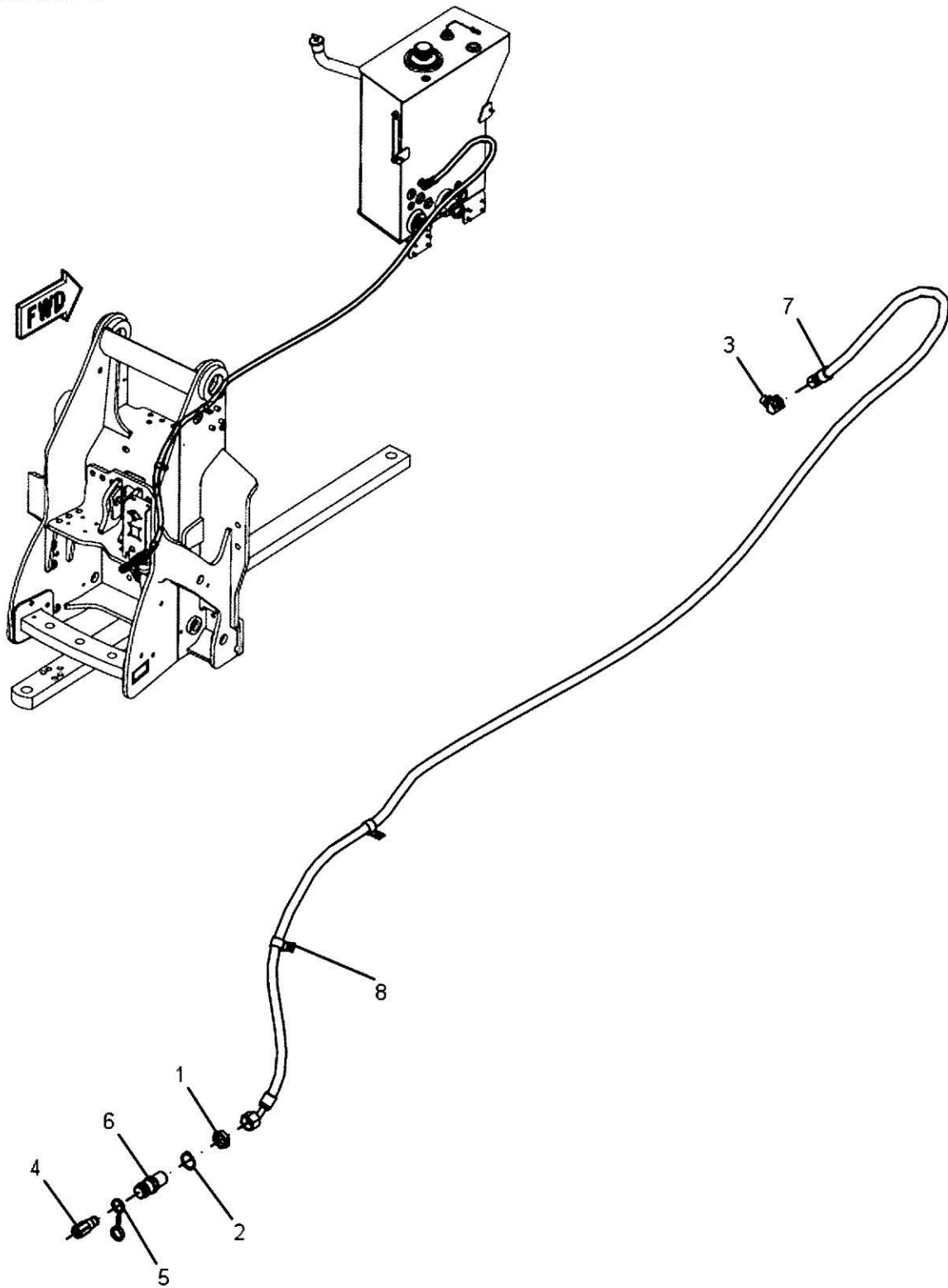
555517D1-2-



555517D1 - CASE DRAIN GROUP, PIONEER - DRAWBAR

ITEM	PART NUMBER	QTY	DESCRIPTION COMMENTS	TECHNICAL SPECIFICATION
1	400564X1	1	PLUG	
2	400963X1	1	CONNECTOR	8 STOR X -12 ORFS
3	400968X1	2	SNAPRING	
4	400981X1	1	ELBOW FITTING	-8STOR X -8ORFS, 45D
	CH3K-0360	1	O-RING	16.36MM ID X 2.21MM
	CH6V-8398	1	O-RING	16.03MM OD X 1.78MM
5	502471D1	1	COUPLER	
6	571698D1	1	DRAIN HOSE	12.7MM X 3963MM

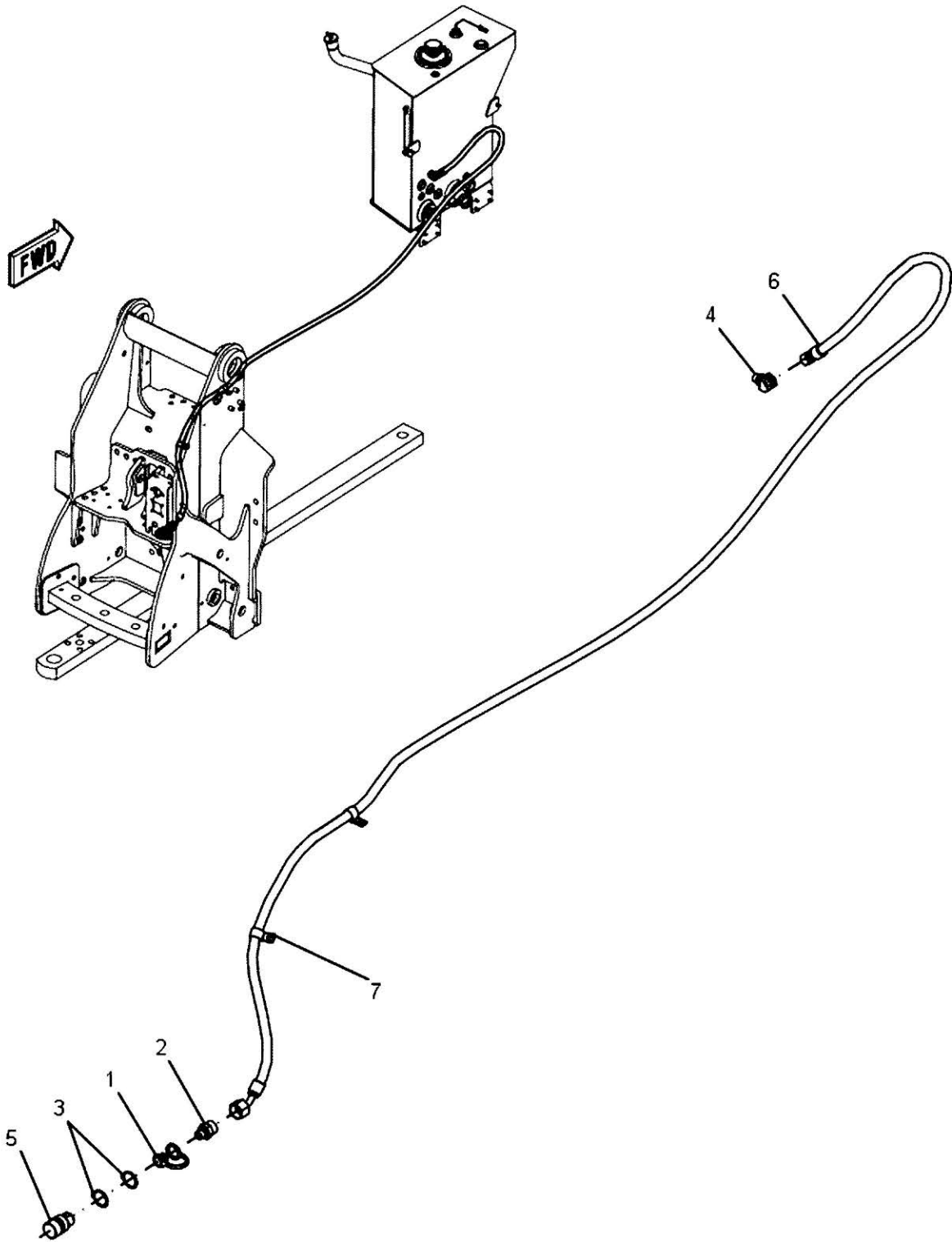
555518D1-2-



555518D1 - CASE DRAIN ARRANGEMENT, FLAT FACE, HITCH

ITEM	PART NUMBER	QTY	DESCRIPTION COMMENTS	TECHNICAL SPECIFICATION
1	400961X1	1	HEX NUT	1-3/16"-12
2	400968X1	1	SNAPRING	
3	400981X1	1	ELBOW FITTING	-8STOR X -8ORFS, 45D
	CH3K-0360	1	O-RING	16.36MM ID X 2.21MM
	CH6V-8398	1	O-RING	16.03MM OD X 1.78MM
4	502472D1	1	NIPPLE	-6 FFOR
5	502473D1	1	DUST CAP	
6	502475D1	1	COUPLER	
7	553589D1	1	DRAIN HOSE	12.7MM X 4028MM
8	CH6D-4244	2	P-CLIP	

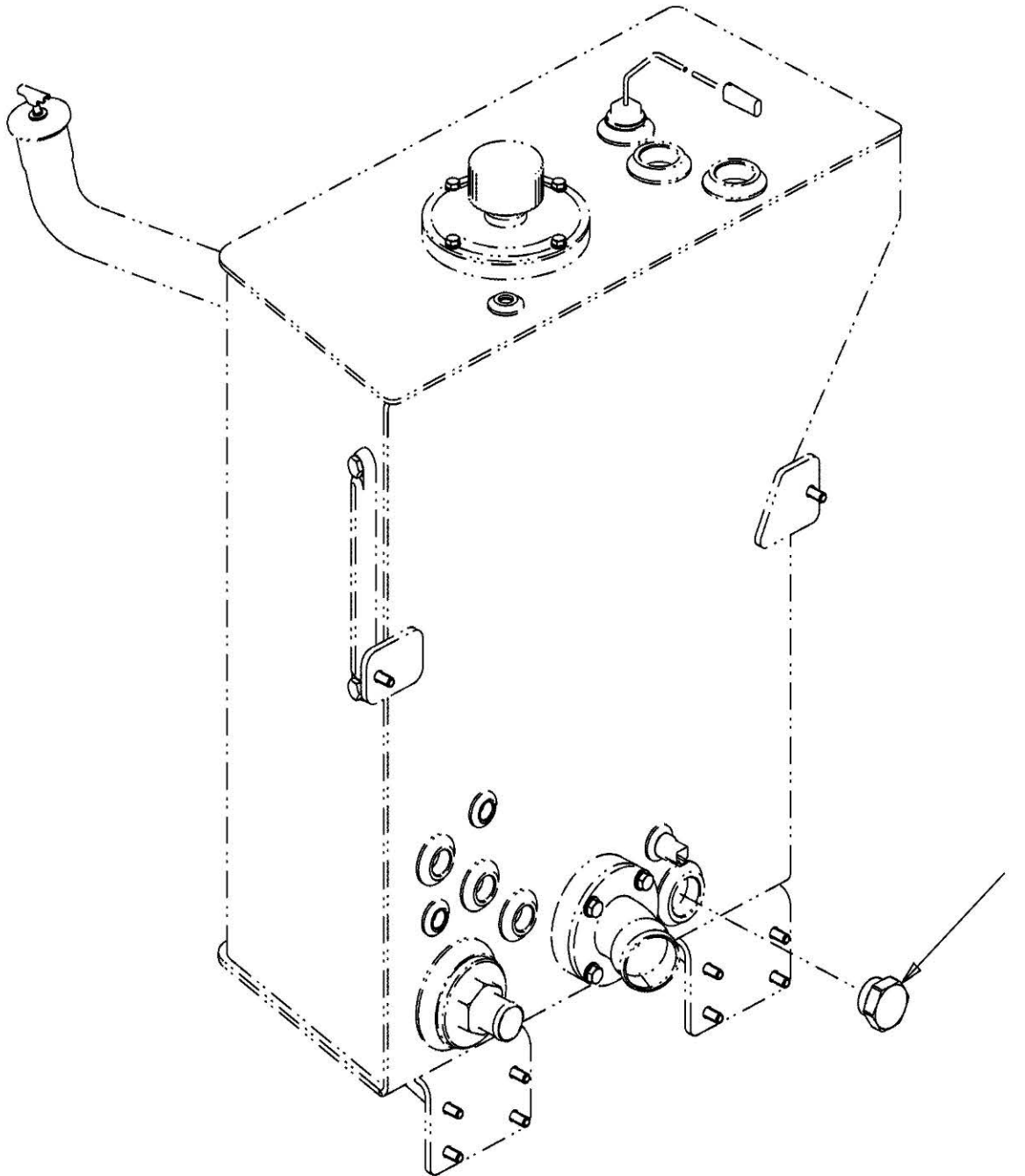
555519D1-2-



55519D1 - CASE DRAIN ARRANGEMENT, PIONEER, HITCH

ITEM	PART NUMBER	QTY	DESCRIPTION COMMENTS	TECHNICAL SPECIFICATION
1	400564X1	1	PLUG	
2	400963X1	1	CONNECTOR	8 STOR X -12 ORFS
3	400968X1	2	SNAPRING	
4	400981X1	1	ELBOW FITTING	-8STOR X -8ORFS, 45D
	CH3K-0360	1	O-RING	16.36MM ID X 2.21MM
	CH6V-8398	1	O-RING	16.03MM OD X 1.78MM
5	502471D1	1	COUPLER	
6	553589D1	1	DRAIN HOSE	12.7MM X 4028MM
7	CH6D-4244	2	P-CLIP	

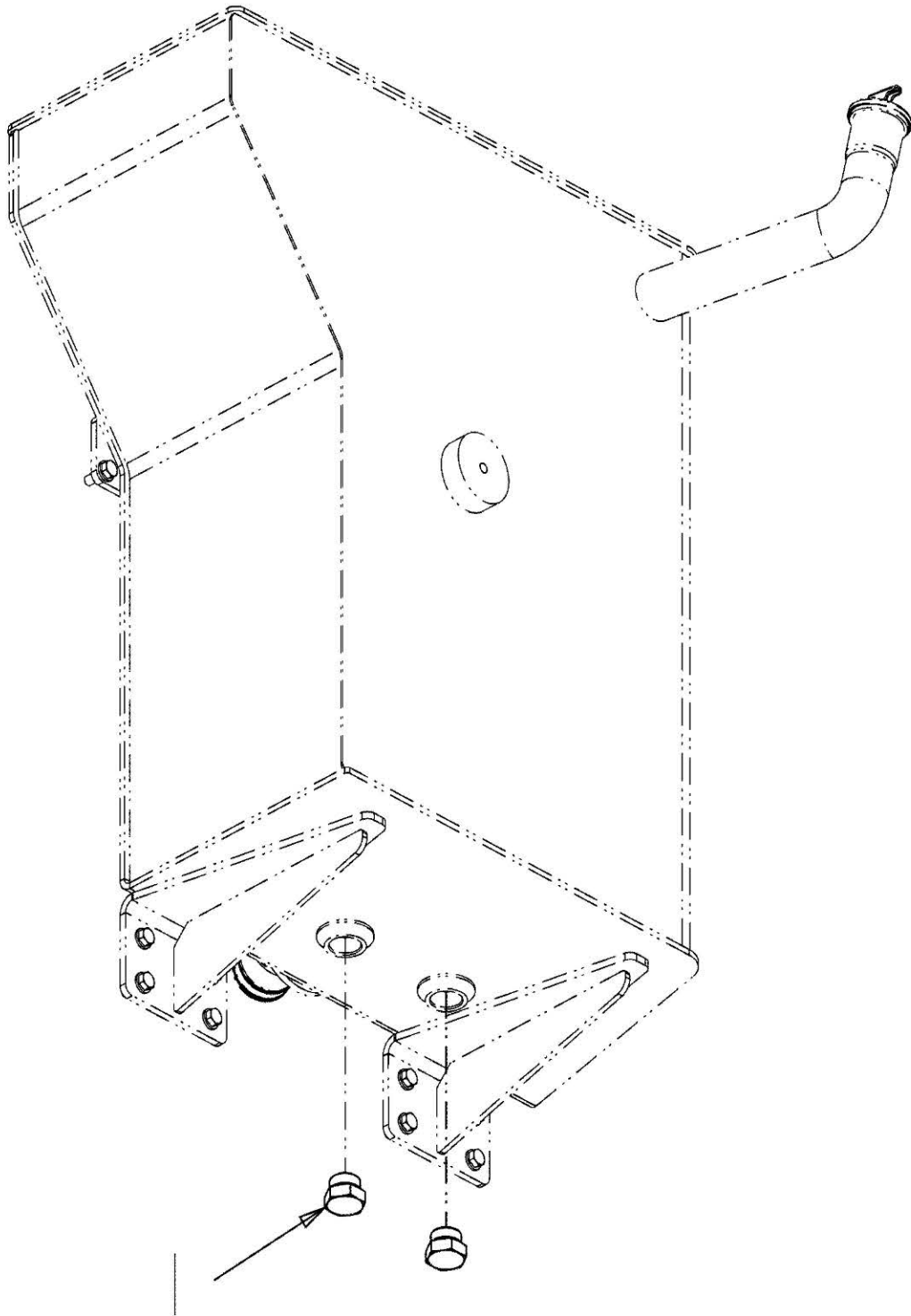
553811D1-2-AA756-



553811D1 - PLUG GROUP

ITEM	PART NUMBER	QTY	DESCRIPTION COMMENTS	TECHNICAL SPECIFICATION
1	400586X1	1	PLUG	

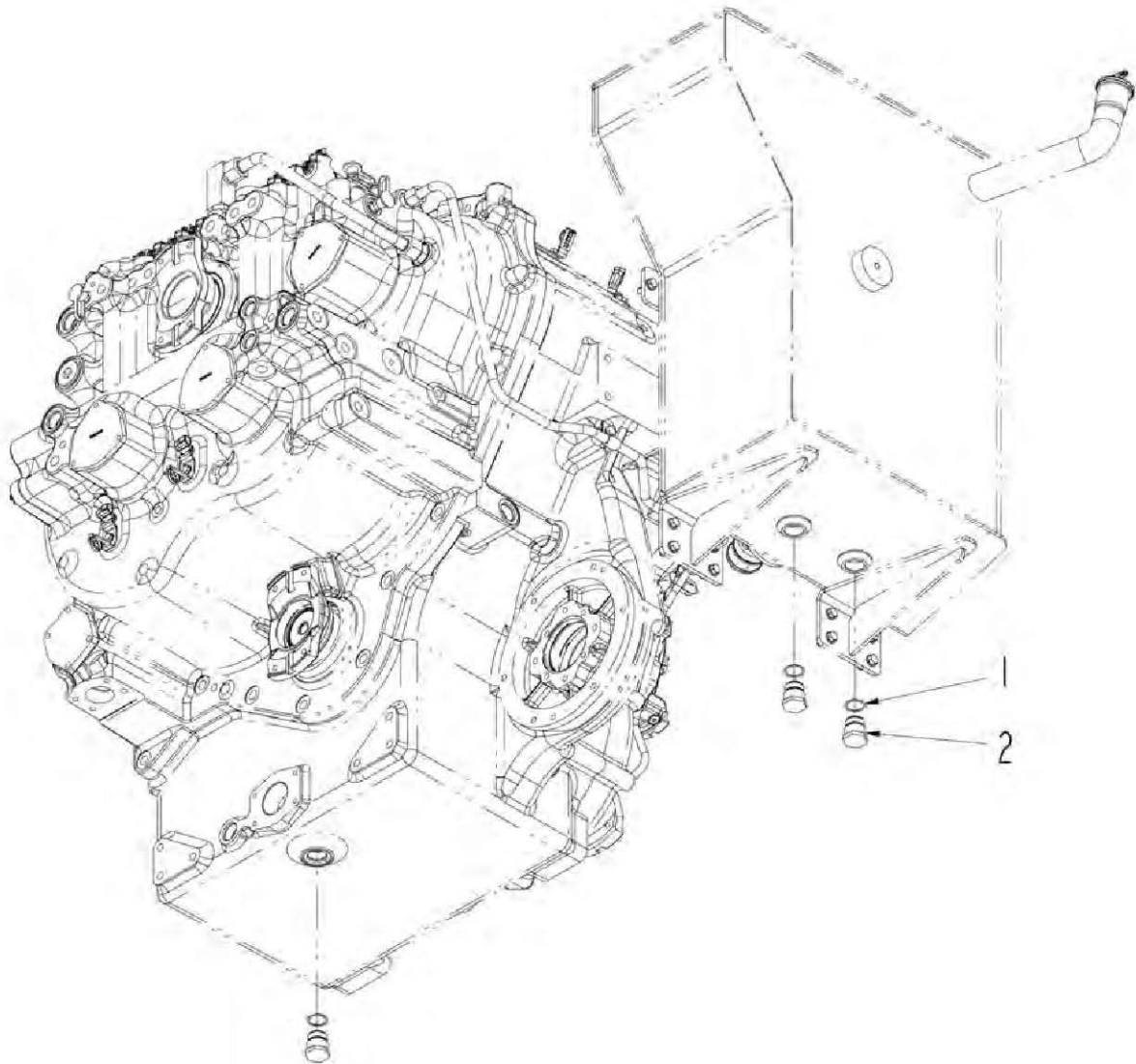
553814D1-3-AA686-



553814D1 - HYDRAULIC PLUMBING - PLUG

ITEM	PART NUMBER	QTY	DESCRIPTION COMMENTS	TECHNICAL SPECIFICATION
1	CH164-4180	2	PLUG	1 5/16"-12, 16 STOR

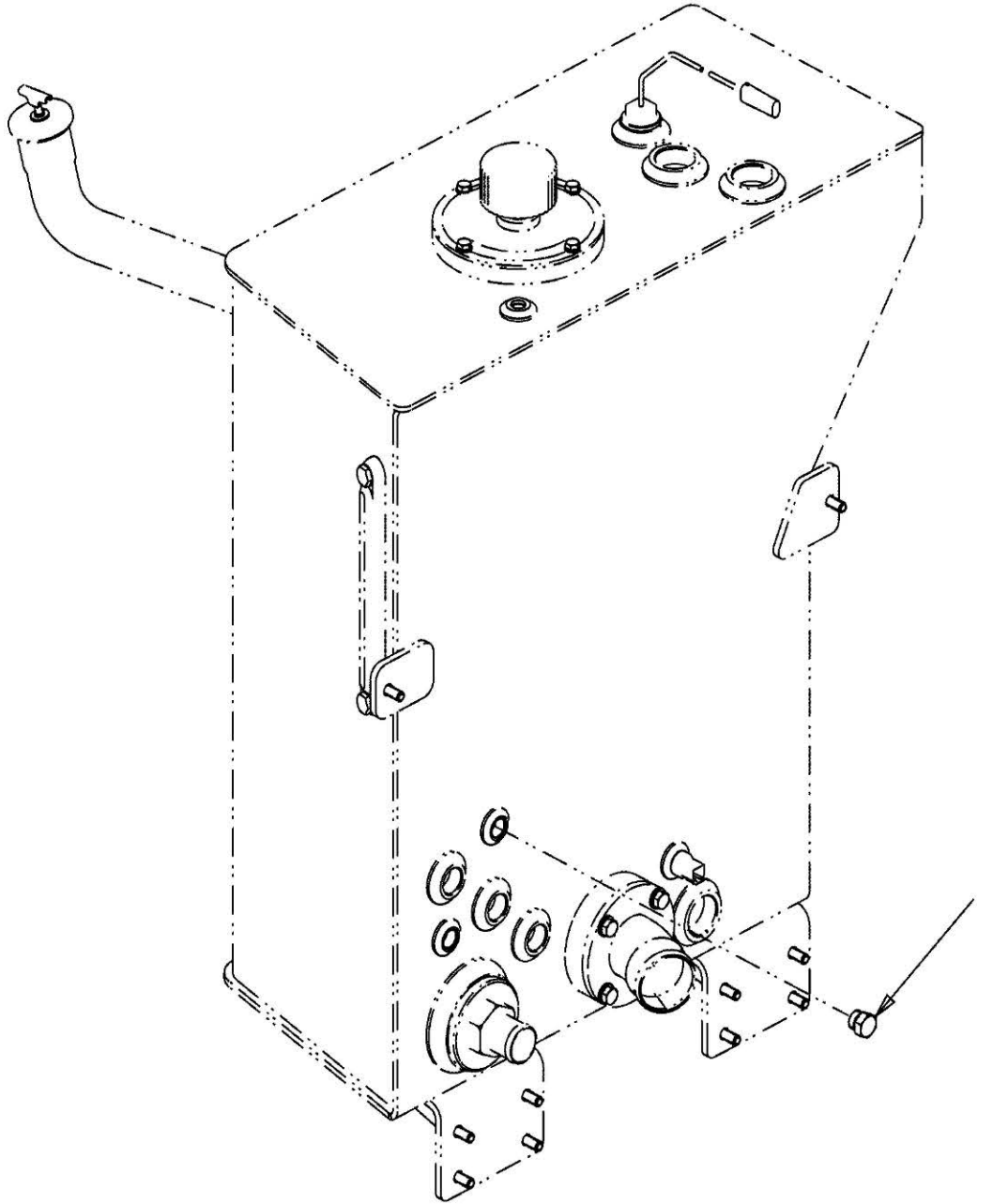
553815D1-2



553815D1 - HYDRAULIC OIL TANK - PLUG

ITEM	PART NUMBER	QTY	DESCRIPTION COMMENTS	TECHNICAL SPECIFICATION
1	400376X1	3	O-RING	29.74MM ID X 2.95MM
2	CH173-0566	3	DRAIN PIPE	

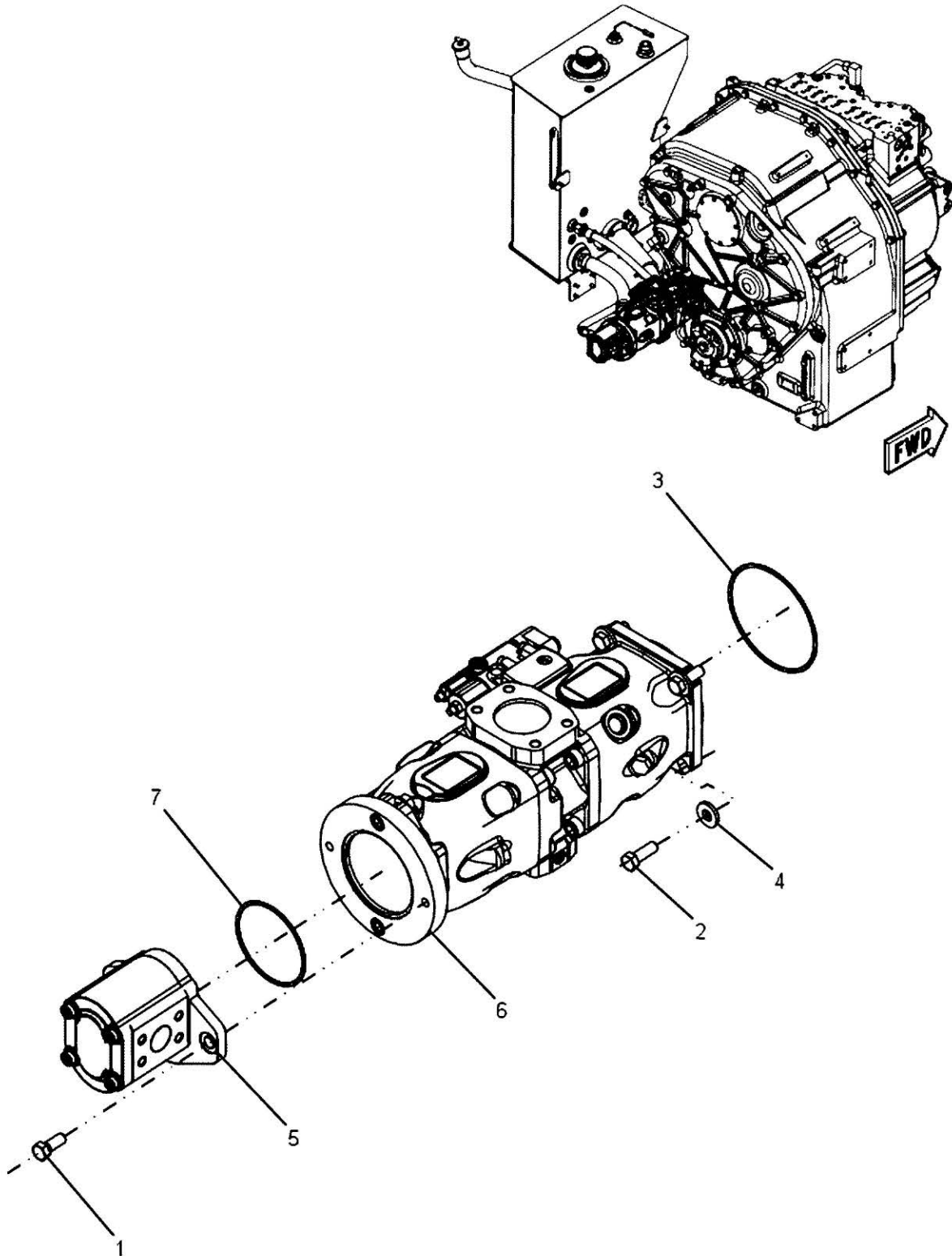
555515D1-2-AA756-



55515D1 - PLUG INSTALLATION WITHOUT IMPLEMENT CASE DRAIN

ITEM	PART NUMBER	QTY	DESCRIPTION COMMENTS	TECHNICAL SPECIFICATION
1	CH148-8411	1	HEX HEAD PLUG	-8 STOR

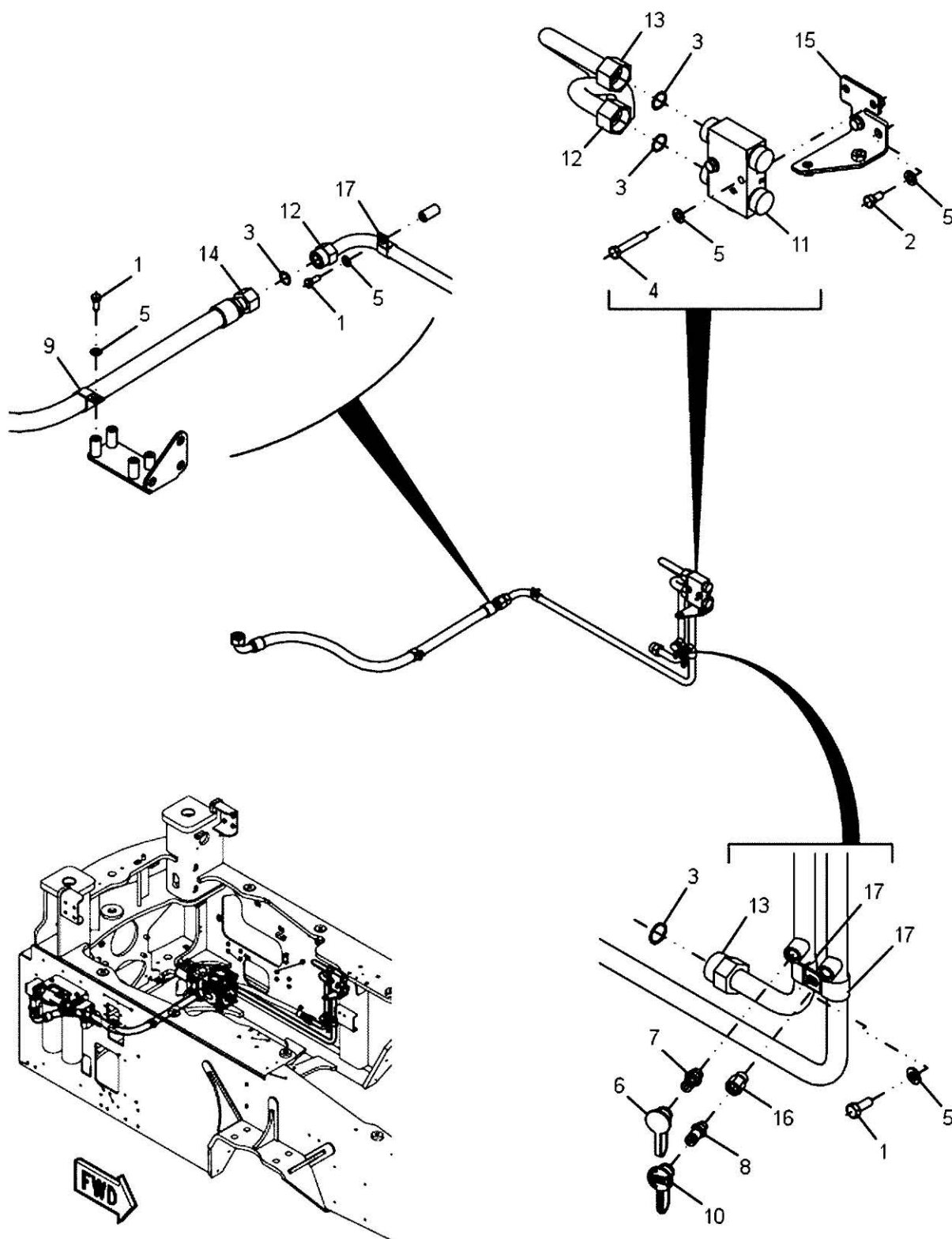
560399D1-2-



560399D1 - HYDRAULIC PUMP - 126 CC

ITEM	PART NUMBER	QTY	DESCRIPTION COMMENTS	TECHNICAL SPECIFICATION
1	400041X1	2	HEXAGONAL HEAD BOLT	M12 X 1.75 X 30MM, CL10.9
2	400064X1	4	HEXAGONAL HEAD BOLT	M12 X 1.75MM X 35MM, CL10.9
3	400101X1	1	O-RING	126.6MM ID X 3.5MM
4	400381X1	4	FLAT WASHER	13.5MM X 30MM X 4MM
5	505637D1	1	HYDRAULIC PUMP SEE PAGE 08-0070	
	520840D1	1	SEAL KIT	
	520624D1	1	SHAFT SEAL	
6	566108D1	1	HYDRAULIC PISTON PUMP SEE PAGE 08-0100	
7	CH2H-3934	1	O-RING	98.02MM ID X 3.53MM

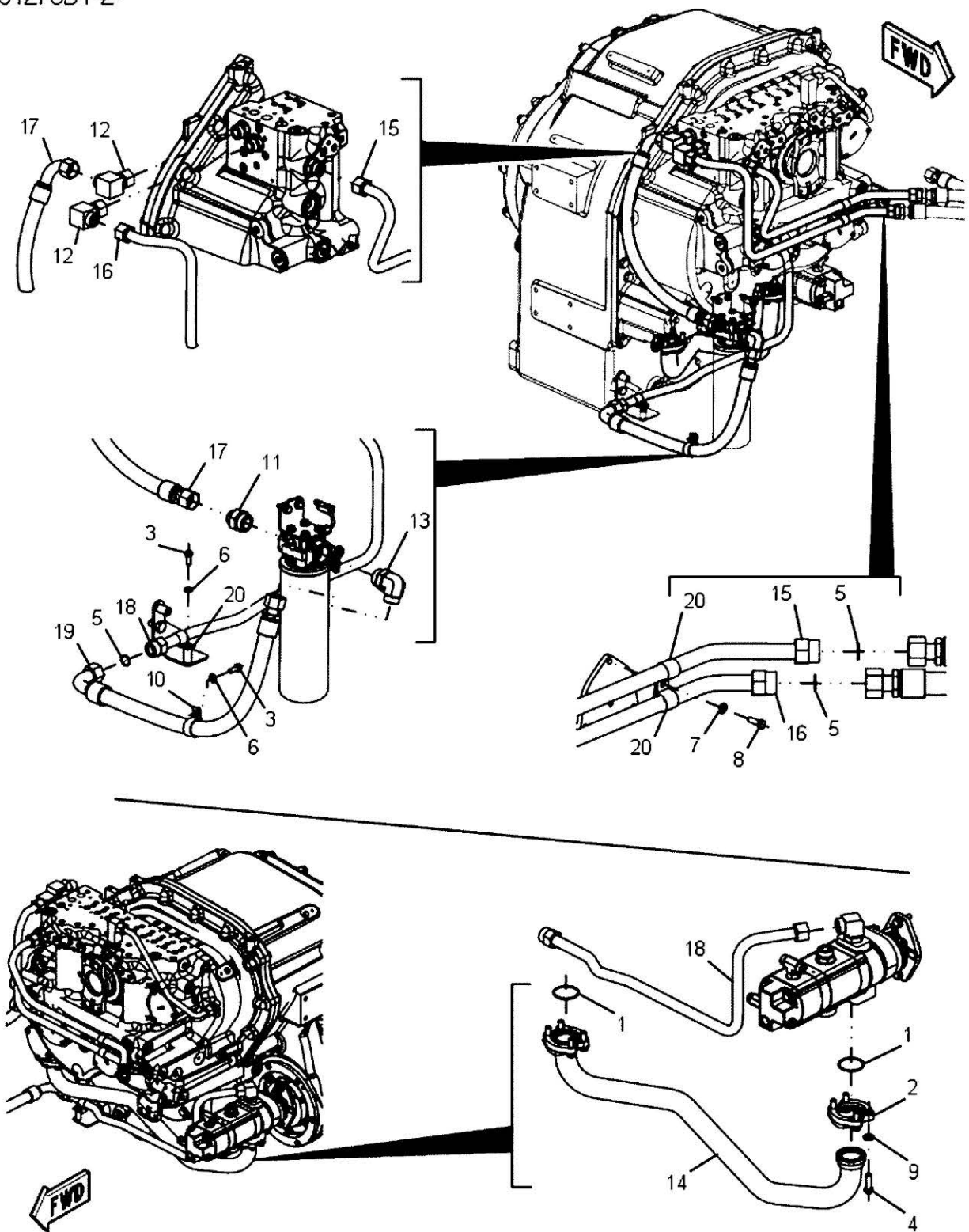
564190D1-2-



564190D1 - COOLER LINES GROUP - IMPLEMENT

ITEM	PART NUMBER	QTY	DESCRIPTION COMMENTS	TECHNICAL SPECIFICATION
1	400039X1	2	HEXAGONAL HEAD BOLT	M10 X 1.5 X 25MM, CL10.9
2	400040X1	2	HEXAGONAL HEAD BOLT	M10 X 1.5 X 20MM, CL10.9
3	400123X1	4	O-RING	27.22MM OD X 1.78MM
4	400239X1	2	HEXAGONAL HEAD BOLT	M10 X 1.5 X 60MM, CL10.9
5	400287X1	6	FLAT WASHER	11MM X 21MM X 2.5MM
6	400323X1	1	DUST CAP	12.6MM OD
7	400324X1	1	QUICK COUPLER NIPPLE	9/16"-18, -6 STOR
8	400577X1	1	VALVE	
9	400689X1	1	P-CLIP	38.1MM OD X 22MM
10	402234X1	1	DUST CAP	
11	560483D1	1	MANIFOLD	
12	562782D1	1	RETURN HOSE	21.18MM X 996.5MM
13	562783D1	1	SUPPLY HOSE	21.18MM X 286.5MM
14	564512D1	1	HYDRAULIC HOSE	25.4MM X 1445MM
15	565965D1	1	BRACKET	
16	CH148-8305	1	ADAPTER FITTING	6 STOR X 4 STOR
	400318X1	1	O-RING	11.89MM ID X 1.98MM
17	CH4S-1962	3	P-CLIP	25.4MM ID

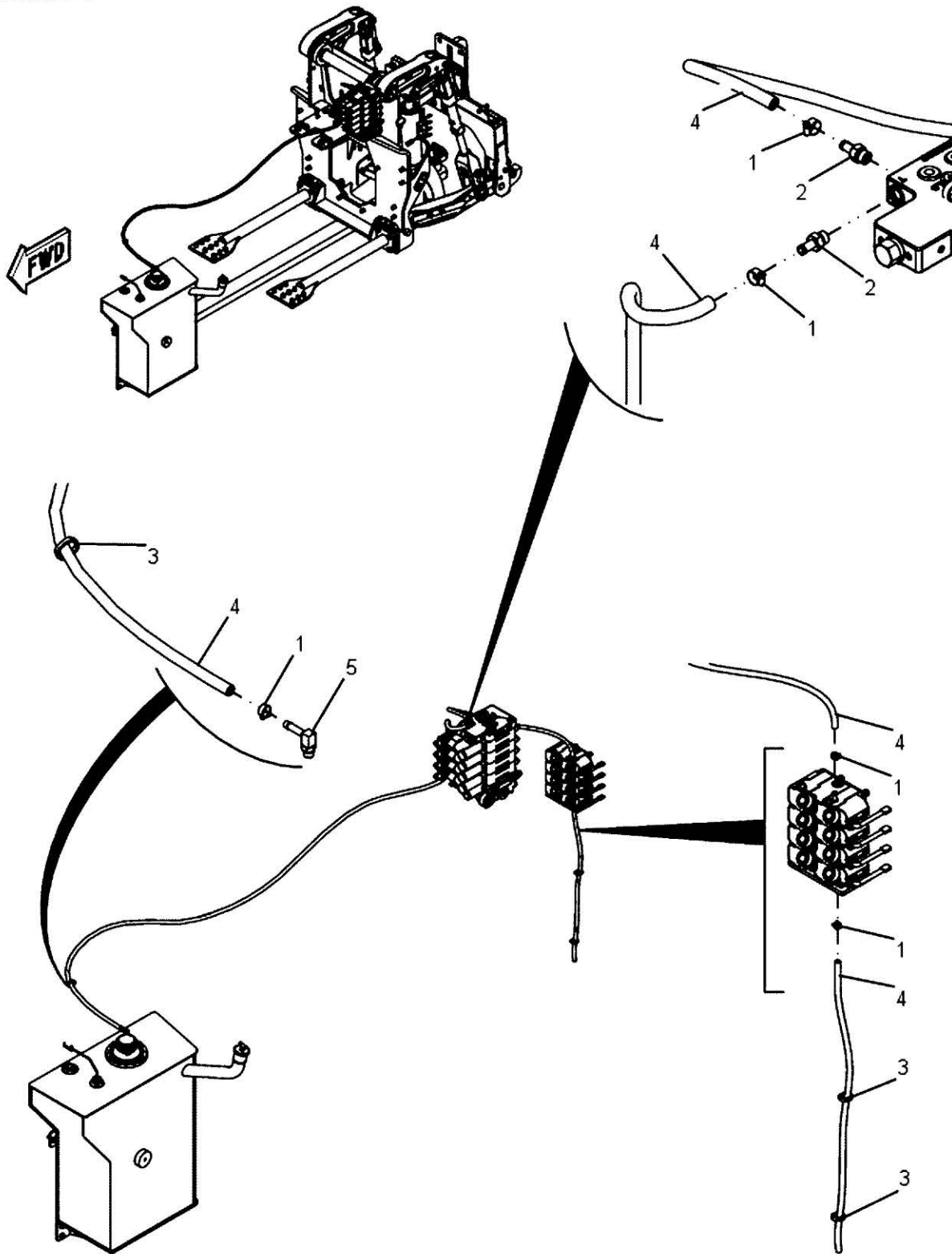
564278D1-2-



564278D1 - TRANSMISSION LINES GROUP

ITEM	PART NUMBER	QTY	DESCRIPTION COMMENTS	TECHNICAL SPECIFICATION
1	AG519528	2	SPLIT FLANGE O-RING	
2	AG519529	4	FLANGE	
3	400039X1	2	HEXAGONAL HEAD BOLT	M10 X 1.5 X 25MM, CL10.9
4	400050X1	8	HEXAGONAL HEAD BOLT	M12 X 1.75 X 40MM, CL10.9
5	400123X1	3	O-RING	27.22MM OD X 1.78MM
6	400287X1	2	FLAT WASHER	11MM X 21MM X 2.5MM
7	400339X1	1	FLAT WASHER	9MM X 16MM X 2MM
8	400341X1	1	HEXAGONAL HEAD BOLT	M8 X 1.25 X 25MM
9	400357X1	8	FLAT WASHER	M12 X 25.5 X 3MM
10	400689X1	1	P-CLIP	38.1MM OD X 22MM
11	401002X1	1	ADAPTER	1-1/4" MO-R X 1" ORFS
	400123X1	1	O-RING	27.22MM OD X 1.78MM
	400593X1	1	O-RING	37.46MM ID X 3MM
12	401078X1	2	ELBOW FITTING	1" ORFS X 1" F ORFS, 90D
	400123X1	1	O-RING	27.22MM OD X 1.78MM
13	401290X1	1	ELBOW FITTING	20 ORFS (2), 90D
	400123X1	1	O-RING	27.22MM OD X 1.78MM
	400593X1	1	O-RING	37.46MM ID X 3MM
14	506259D1	1	TUBE	
15	507531D1	1	TUBE	
16	507532D1	1	TUBE	
17	564953D1	1	SUPPLY HOSE	25.4MM X 765MM
18	564960D1	1	SUPPLY HOSE	21.18MM X 643.2MM
19	564962D1	1	SUPPLY HOSE	25.4MM X 893MM
20	CH4S-1962	3	P-CLIP	25.4MM ID

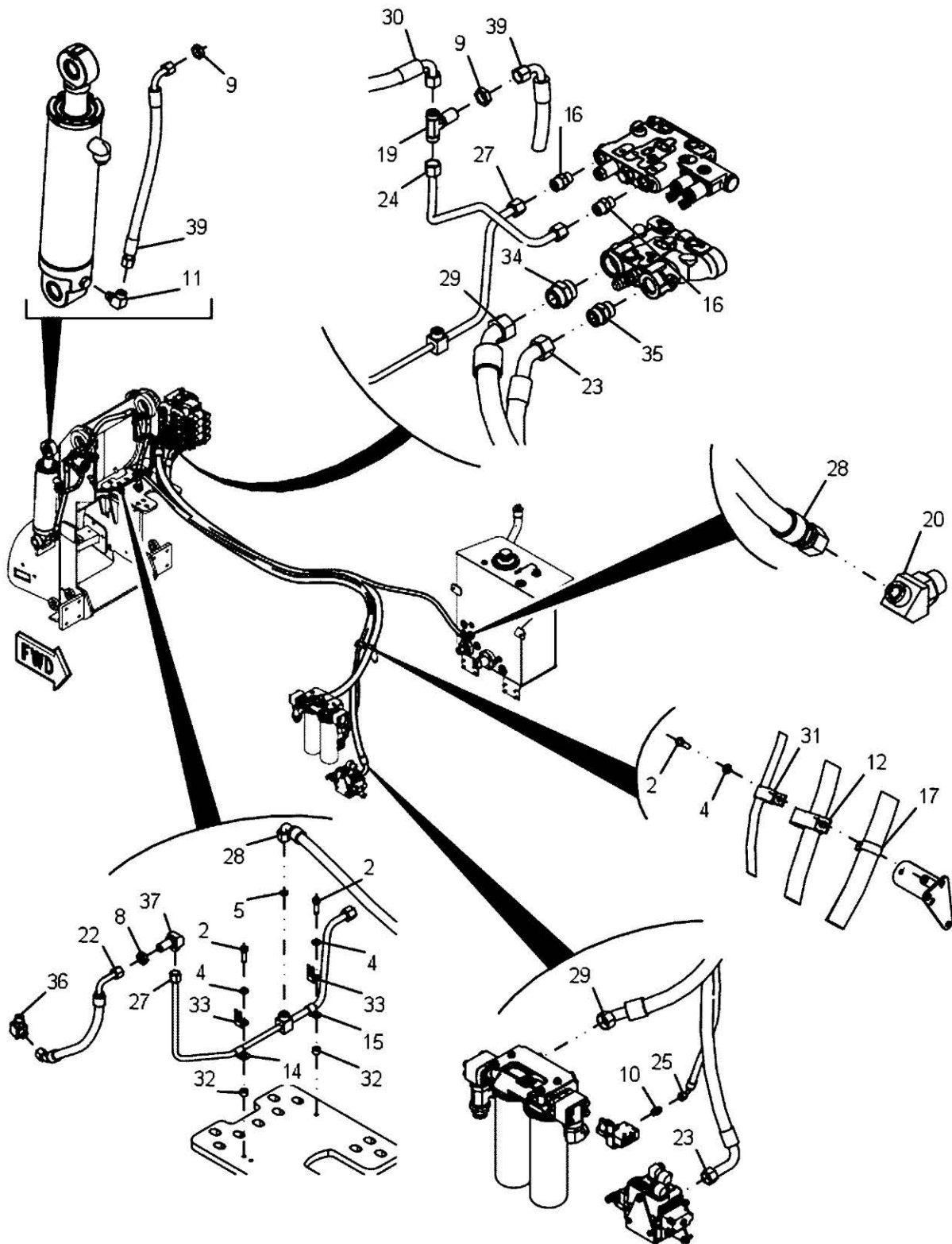
553585D1-3



553585D1 - IMPLEMENT VALVE DRAIN LINES

ITEM	PART NUMBER	QTY	DESCRIPTION COMMENTS	TECHNICAL SPECIFICATION
1	AG561025	5	HOSE CLAMP	8MM-17MM, MINI
2	401786X1	2	CONNECTOR	6STOR X 9.52
	400318X1	1	O-RING	11.89MM ID X 1.98MM
3	402294X1	3	CABLE TIE	390MM X 7.6MM
4	CH5P-1442	-	BULK HIGH TEMPERATUR HOSE BULK: 556.2 MM	9.52MM ID
5	CH5P-4924	1	ELBOW FITTING	90 DEGREE 6 STOR X 9.52 BARB
	400318X1	1	O-RING	11.89MM ID X 1.98MM

565514D1-3-01



565514D1 - IMPLEMENT LINES GROUP, VALVE WITH HITCH

ITEM	PART NUMBER	QTY	DESCRIPTION COMMENTS	TECHNICAL SPECIFICATION
2	400059X1	3	HEXAGONAL HEAD BOLT	M10 X 1.5 X 35MM, CL10.9
4	400287X1	4	FLAT WASHER	11MM X 21MM X 2.5MM
5	400322X1	1	O-RING	19.28MM OD X 1.78MM
8	400348X1	1	HEX NUT	13/16-16 THD
9	400349X1	2	HEX NUT	1"-14
10	400367X1	1	CONNECTOR FITTING	-6 STOR X -6 ORFS
	400318X1	1	O-RING	11.89MM ID X 1.98MM
	400378X1	1	O-RING	12.83MM OD X 1.78MM
11	400412X1	2	ELBOW FITTING	-8 STOR X -10 ORFS
	400322X1	1	O-RING	19.28MM OD X 1.78MM
	CH3K-0360	1	O-RING	16.36MM ID X 2.21MM
12	400595X1	1	P-CLIP	38.1MM, DOUBLE
14	400621X1	1	P-CLIP	12.7MM ID
15	400702X1	1	P-CLIP	15.8MM ID
16	401403X1	2	ADAPTER FITTING	10 STOR X -10 ORFS
	400319X1	1	O-RING	19.18MM ID X 2.46MM
	400322X1	1	O-RING	19.28MM OD X 1.78MM
17	401412X1	1	P-CLIP	44.45MM ID
19	401739X1	1	TEE FITTING	
	400322X1	3	O-RING	19.28MM OD X 1.78MM
20	401887X1	1	ELBOW FITTING	1-1/16-12 MORB X 1-14 MORFS
	400322X1	1	O-RING	19.28MM OD X 1.78MM
	400416X1	1	O-RING	23.47MM ID X 2.95MM
22	521065D1	1	HOSE	
23	524832D1	1	HOSE	
24	524916D1	1	TUBE	
25	524919D1	1	HOSE	
27	530158D1	1	TUBE ASSY	
28	553584D1	1	RETURN HOSE	15.88MM X 3214MM
29	565515D1	1	RETURN HOSE	31.75MM X 3472MM
30	576945D1	1	HOSE	15.9MM X 492MM
31	CH100-4336	1	P-CLIP	20.62MM ID, DOUBLE
32	CH114-5785	2	SPACER	10.5 IDX19 ODX11.5 ZN
33	CH132-5789	2	LADDER CLIP	47.5MM
34	CH148-8334	1	CONNECTOR	20 ORFS X 20 STOR
	400365X1	1	O-RING	33.57MM OD X 1.78MM
	400593X1	1	O-RING	37.46MM ID X 3MM
35	CH148-8335	1	CONNECTOR	16 STOR X 16 ORFS
	400123X1	1	O-RING	27.22MM OD X 1.78MM
	400376X1	1	O-RING	29.74MM ID X 2.95MM
36	CH148-8364	2	ELBOW FITTING	3/4"-16 X 13/16"-16
	CH3K-0360	1	O-RING	16.36MM ID X 2.21MM
	CH6V-8398	1	O-RING	16.03MM OD X 1.78MM
37	CH148-8375	1	BULKHEAD FITTING	90D-8 ORFS
	CH6V-8398	1	O-RING	16.03MM OD X 1.78MM

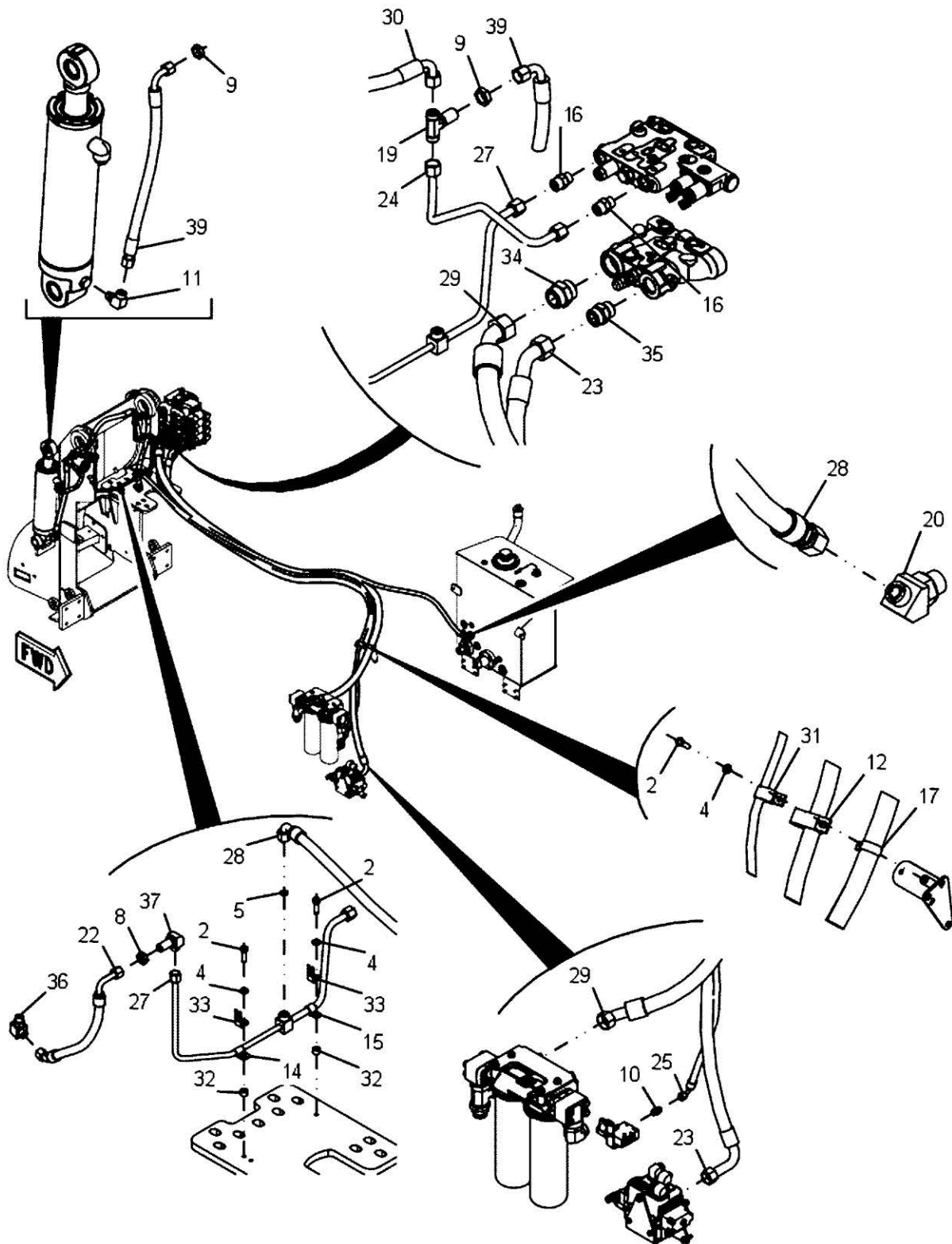
08-0096

HYDRAULIC SYSTEM

Copyright © 2016 AGCO Corporation

MT955E / MT965E / MT975E TRACTOR

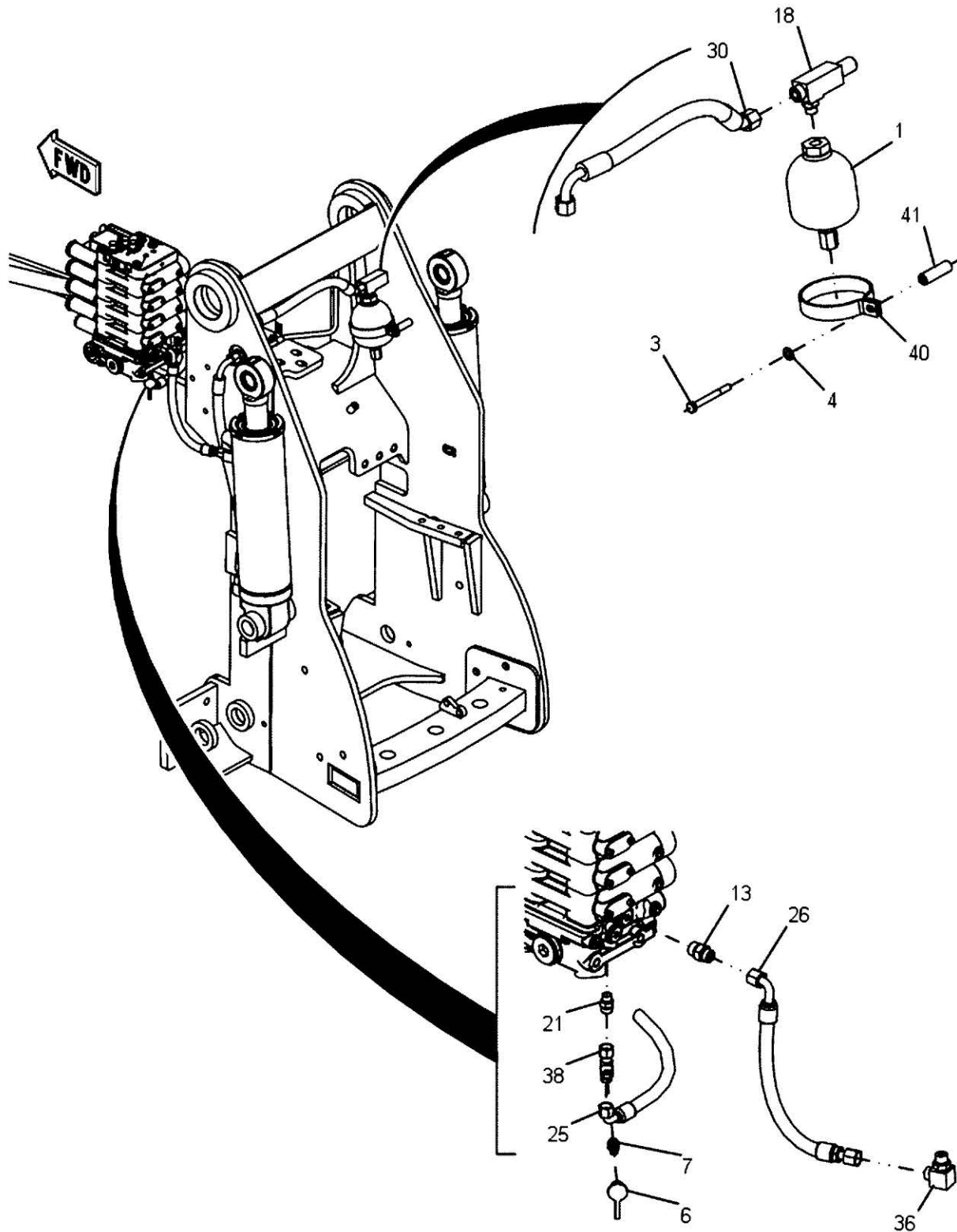
565514D1-3-01



565514D1 - IMPLEMENT LINES GROUP, VALVE WITH HITCH

ITEM	PART NUMBER	QTY	DESCRIPTION COMMENTS	TECHNICAL SPECIFICATION
39	CH197-4832	2	HOSE	

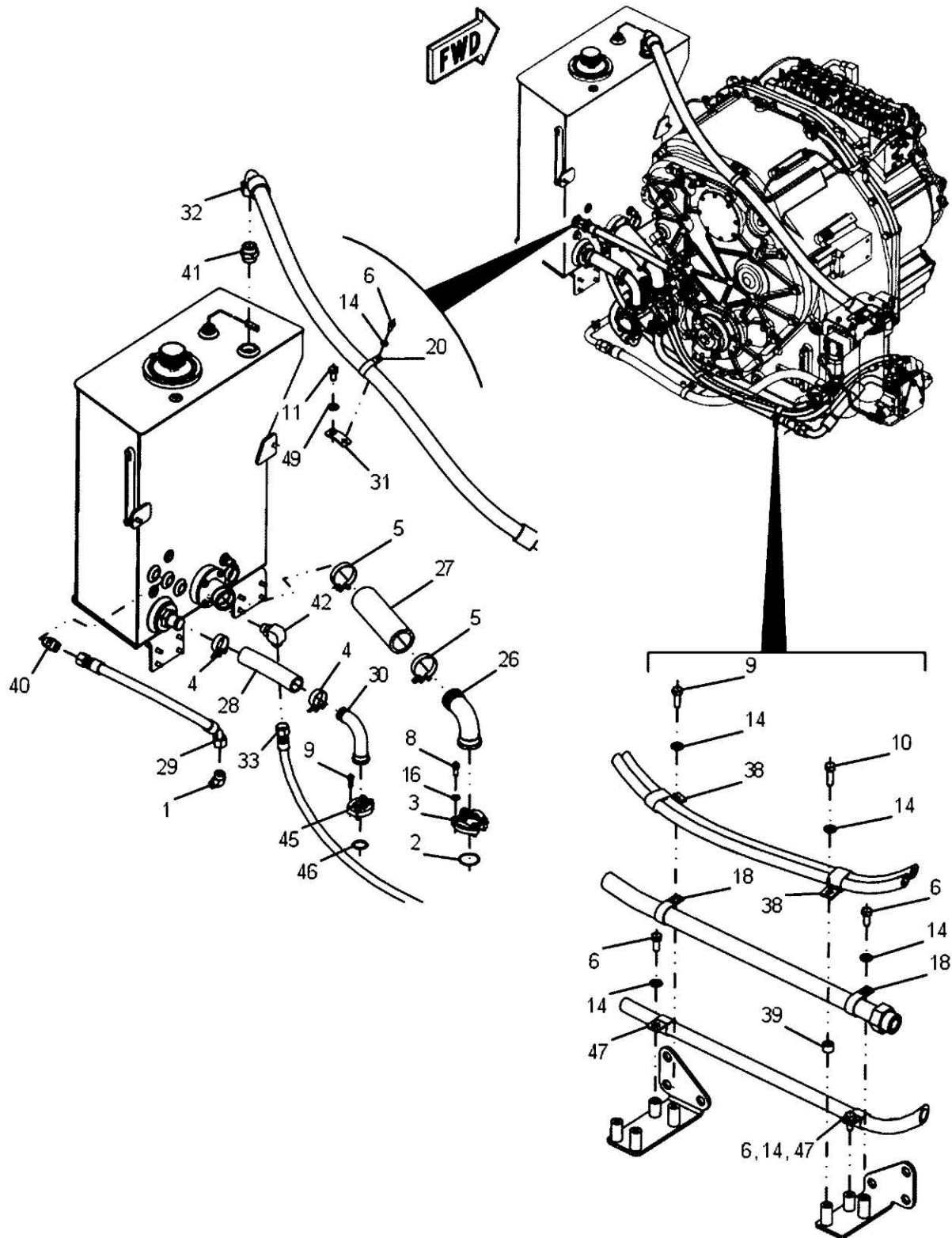
565514D1-3-02



565514D1 - IMPLEMENT LINES GROUP, VALVE WITH HITCH

ITEM	PART NUMBER	QTY	DESCRIPTION COMMENTS	TECHNICAL SPECIFICATION
1	205-8787	1	ACCUMULATOR	
3	400225X1	1	HEXAGONAL HEAD BOLT	M10 X 1.5 X 90MM, CL10.9
4	400287X1	4	FLAT WASHER	11MM X 21MM X 2.5MM
6	400323X1	1	DUST CAP	12.6MM OD
7	400324X1	1	QUICK COUPLER NIPPLE	9/16"-18, -6 STOR
	400318X1	1	O-RING	11.89MM ID X 1.98MM
13	400610X1	1	CONNECTOR FITTING	1/2" ORFS X 5/8" ORFS
	CH6V-8398	2	O-RING	16.03MM OD X 1.78MM
18	401621X1	1	TEE FITTING	
	400322X1	2	O-RING	19.28MM OD X 1.78MM
	CH3K-0360	1	O-RING	16.36MM ID X 2.21MM
21	402894X1	1	ORIFICE	-6 ORFS X -6 STOR
	400378X1		O-RING	12.83MM OD X 1.78MM
	400318X1		O-RING	11.89MM ID X 1.98MM
25	524919D1	1	HOSE	
26	528480D1	1	HYDRAULIC HOSE	
30	576945D1	1	HOSE	15.9MM X 492MM
36	CH148-8364	2	ELBOW FITTING	3/4"-16 X 13/16"-16
	CH3K-0360	1	O-RING	16.36MM ID X 2.21MM
	CH6V-8398	1	O-RING	16.03MM OD X 1.78MM
38	CH148-8424	1	TEE FITTING	-6 ORFS/6 STOR/6 ORFS
	400378X1	1	O-RING	12.83MM OD X 1.78MM
40	CH199-7718	1	CLAMP	
41	CH212-0279	1	SPACER	11.1MM ID X 10.1MM OD X 62MM

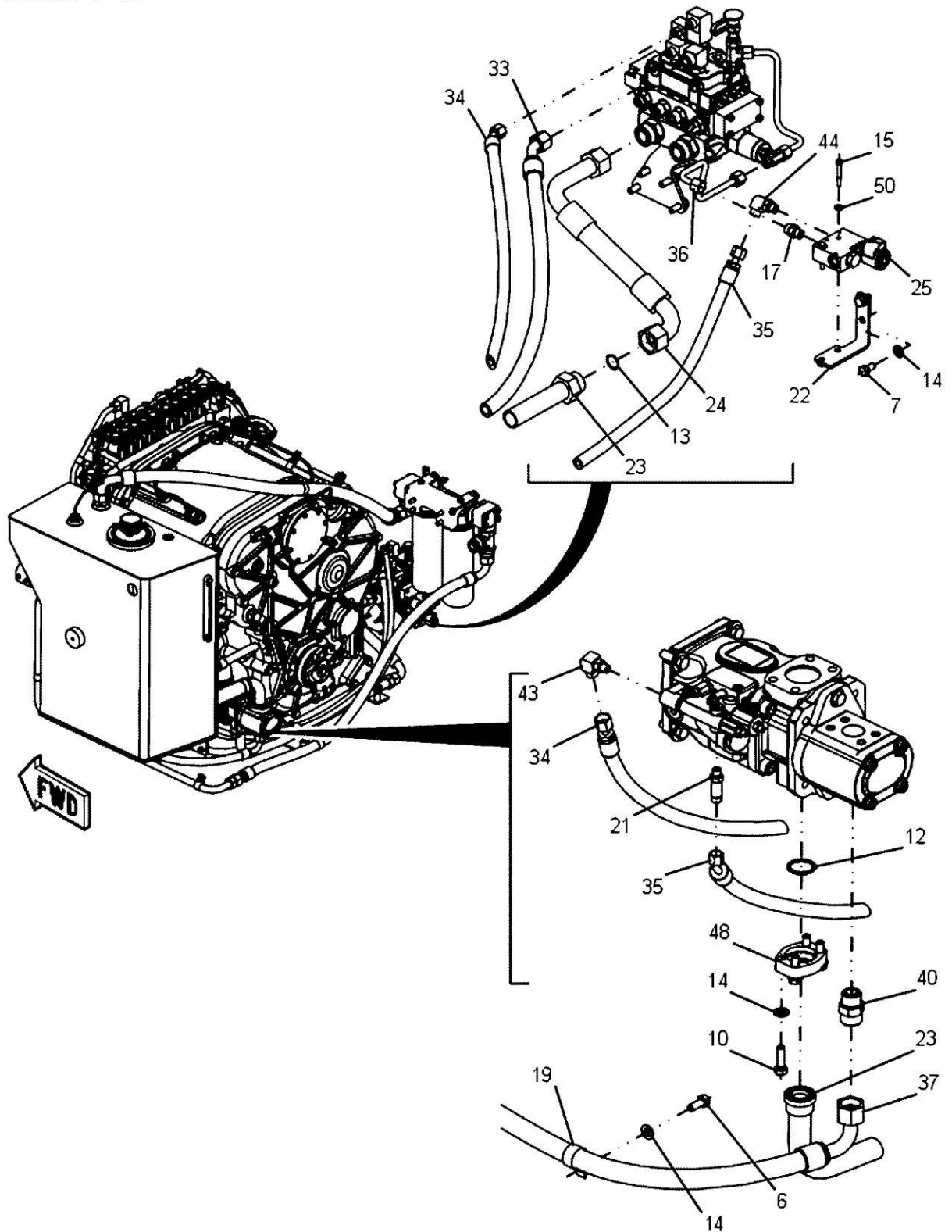
570898D1-3-01



570898D1 - IMPLEMENT LINES GROUP - LINES

ITEM	PART NUMBER	QTY	DESCRIPTION COMMENTS	TECHNICAL SPECIFICATION
1	AG128769	1	ELBOW FITTING	7/8-14 ORB X 3/4-16, 45D
2	AG519528	1	SPLIT FLANGE O-RING	
3	AG519529	2	FLANGE	
4	AG561241	2	HOSE CLAMP	1.91"-2.22", SS
5	AG561243	2	HOSE CLAMP	2-7/8"-3-3/16", SS
6	400039X1	5	HEXAGONAL HEAD BOLT	M10 X 1.5 X 25MM, CL10.9
8	400041X1	4	HEXAGONAL HEAD BOLT	M12 X 1.75 X 30MM, CL10.9
9	400058X1	5	HEXAGONAL HEAD BOLT	M10 X 1.5 X 30MM
10	400059X1	5	HEXAGONAL HEAD BOLT	M10 X 1.5 X 35MM, CL10.9
11	400088X1	1	HEXAGONAL HEAD BOLT	M16 X 2 X 30MM, CL9
14	400287X1	13	FLAT WASHER	11MM X 21MM X 2.5MM
16	400357X1	4	FLAT WASHER	M12 X 25.5 X 3MM
18	400597X1	2	P-CLIP	31.75MM ID, M10 OR 3/8"
20	401412X1	1	P-CLIP	44.45MM ID
26	552904D1	1	INLET	57.15MM ID
27	552991D1	1	SUCTION HOSE	63.5MM X 260MM
28	553113D1	1	SUCTION HOSE	38.1MM X 229MM
29	553118D1	1	DRAIN HOSE	19.04MM X 579MM
30	555599D1	1	INLET	38.1MM ID
31	557088D1	1	BRACKET	
32	561153D1	1	RETURN HOSE	31.75MM X 1717MM
33	566408D1	1	RETURN HOSE	15.9MM X 1777MM
38	CH100-4336	2	P-CLIP	20.62MM ID, DOUBLE
39	CH148-7017	1	SPACER	10.2MM ID X 19.05MM OD X 13MM
40	CH148-8327	2	ADAPTER FITTING	12 ORFS X 12 STOR, W/O-RINGS
	400366X1	1	O-RING	22.5MM OD X 1.78MM
	400416X1	1	O-RING	23.47MM ID X 2.95MM
41	CH148-8334	1	CONNECTOR	20 ORFS X 20 STOR
	400365X1	1	O-RING	33.57MM OD X 1.78MM
	400593X1	1	O-RING	37.46MM ID X 3MM
42	CH148-8347	1	ELBOW FITTING	1-1/16"-12 X 1-3/16"-12
	400366X1	1	O-RING	22.5MM OD X 1.78MM
	400416X1	1	O-RING	23.47MM ID X 2.95MM
45	CH1P-4578	2	FLANGE	
46	CH4J-0522	1	O-RING	37.69MM ID X 3.53MM
47	CH4S-1962	2	P-CLIP	25.4MM ID
49	CH8T-4122	1	FLAT WASHER	17MM X 32MM X 3.5MM

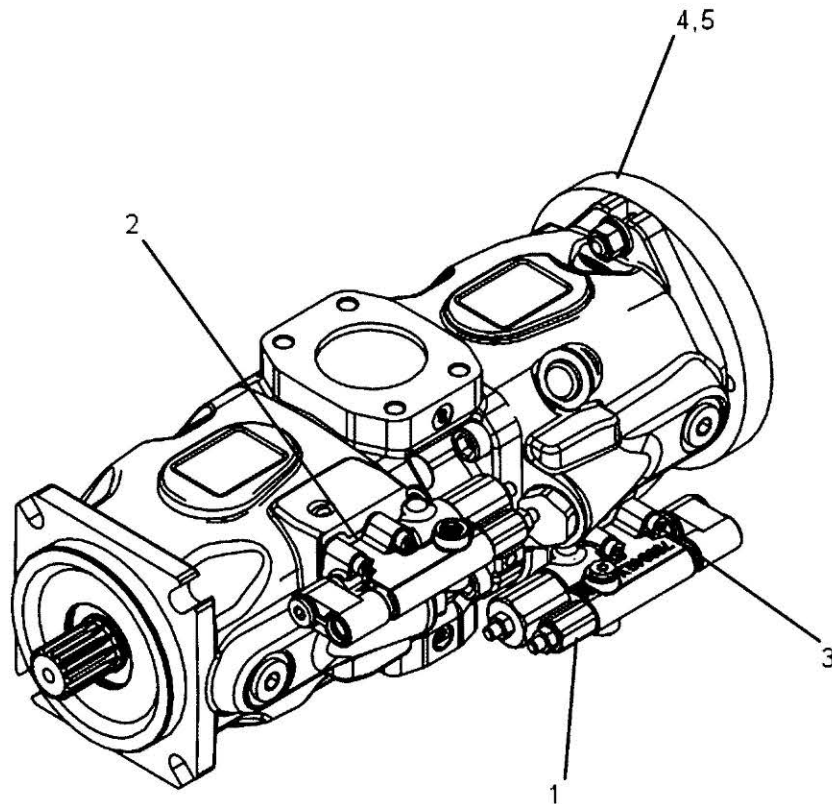
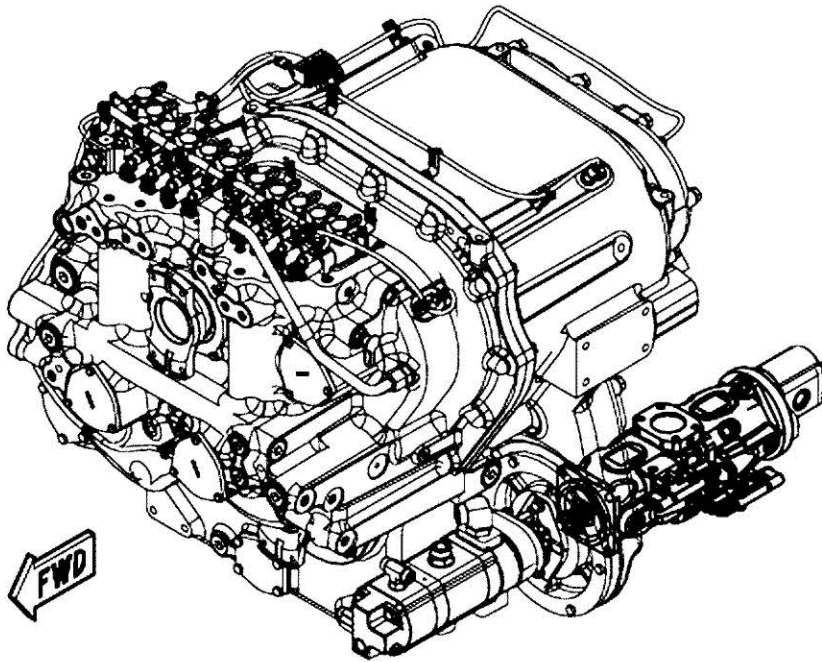
570898D1-3-02



570898D1 - IMPLEMENT LINES GROUP - LINES

ITEM	PART NUMBER	QTY	DESCRIPTION COMMENTS	TECHNICAL SPECIFICATION
6	400039X1	5	HEXAGONAL HEAD BOLT	M10 X 1.5 X 25MM, CL10.9
7	400040X1	2	HEXAGONAL HEAD BOLT	M10 X 1.5 X 20MM, CL10.9
10	400059X1	5	HEXAGONAL HEAD BOLT	M10 X 1.5 X 35MM, CL10.9
12	400100X1	1	O-RING	32.92MM ID X 3.53MM
13	400123X1	1	O-RING	27.22MM OD X 1.78MM
14	400287X1	13	FLAT WASHER	11MM X 21MM X 2.5MM
15	400307X1	2	HEXAGONAL HEAD BOLT	M6 X 1.0 X 45MM
17	400367X1	1	CONNECTOR FITTING	-6 STOR X -6 ORFS
	400318X1	1	O-RING	11.89MM ID X 1.98MM
	400378X1	1	O-RING	12.83MM OD X 1.78MM
19	400700X1	1	P-CLIP	28.58 ID
21	401443X1	1	ADAPTER	-4STOR X-4ORFS
	400377X1	1	O-RING	11.23MM OD X 1.78MM
	400361X1	1	O-RING	8.92MM ID X 1.83MM
22	513147D1	1	BRACKET	
23	513640D1	1	TUBE	
24	513678D1	1	HOSE	
25	523899D1	1	DISTRIBUTOR	
33	566408D1	1	RETURN HOSE	15.9MM X 1777MM
34	566504D1	1	SUPPLY HOSE	9.52MM X 1606MM
35	566505D1	1	PUMP HOSE	9.52MM X 1229MM
36	566506D1	1	HOSE	7.04MM X 177.7MM
37	570983D1	1	CHARGE HOSE	19.05MM X 826MM
40	CH148-8327	2	ADAPTER FITTING	12 ORFS X 12 STOR, W/O-RINGS
	400366X1	1	O-RING	22.5MM OD X 1.78MM
	400416X1	1	O-RING	23.47MM ID X 2.95MM
43	CH148-8378	1	ELBOW FITTING	9/16"-18 X 11/16"-16
	400361X1	1	O-RING	8.92MM ID X 1.83MM
	400378X1	1	O-RING	12.83MM OD X 1.78MM
44	CH148-8378	2	ELBOW FITTING	9/16"-18 X 11/16"-16
	400318X1	1	O-RING	11.89MM ID X 1.98MM
	400378X1	1	O-RING	12.83MM OD X 1.78MM
48	CH8C-3206	2	FLANGE	
50	CH8T-4205	2	FLAT WASHER	7.2MM X 14.5MM X 2MM

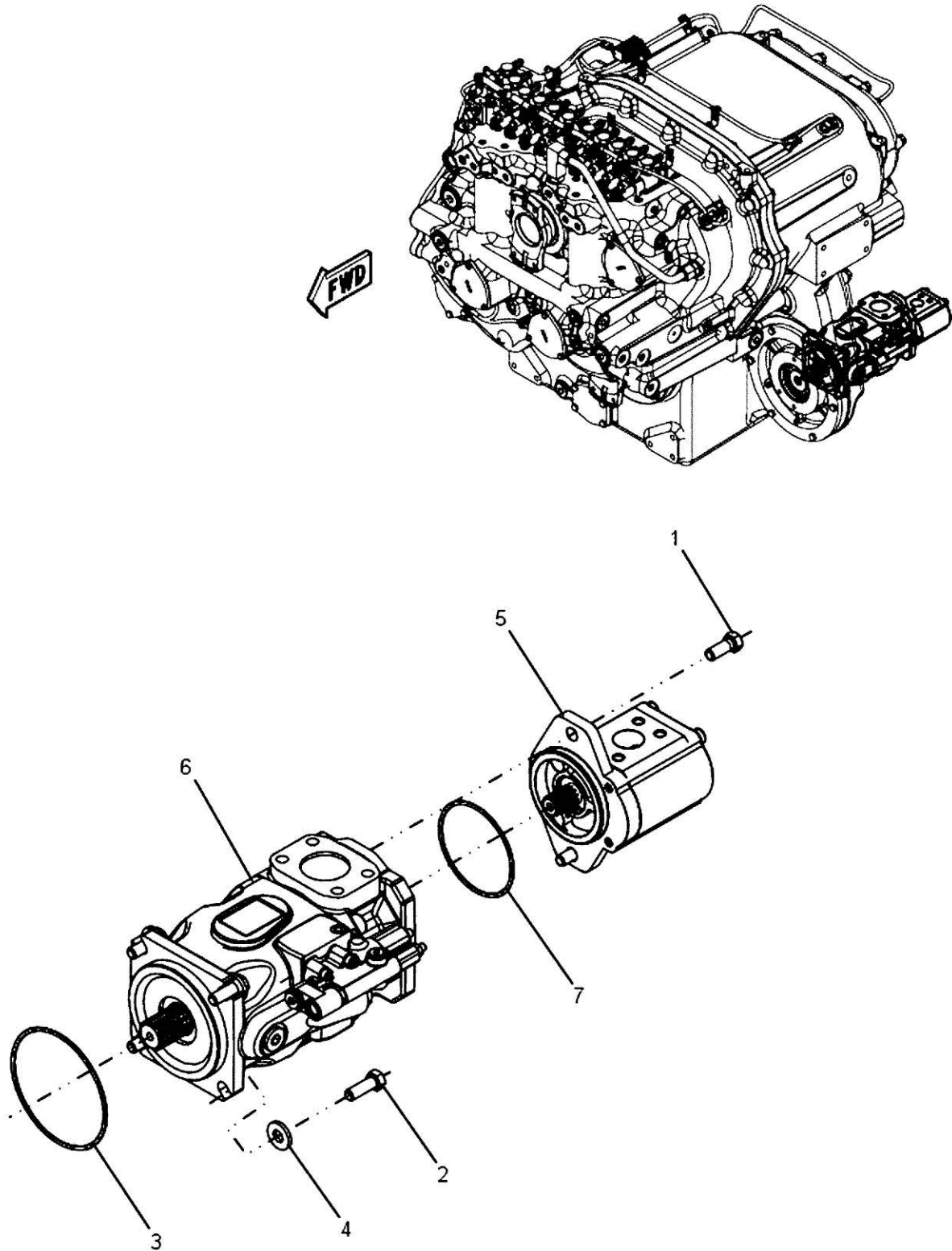
566108D1-3



566108D1 - HYDRAULIC PISTON PUMP, 126CC

ITEM	PART NUMBER	QTY	DESCRIPTION COMMENTS	TECHNICAL SPECIFICATION
1	520606D1	2	CONTROL VALVE SEE PAGE 08-0073	
2	513630D1	2	GASKET	
3	400246X1	8	HEX SOCKET HEAD BOLT	M6 X 1.0 X 30MM, CL12.9
4	CH2H-3934	1	O-RING	98.02MM ID X 3.53MM
5	572740D1	1	SEAL KIT	

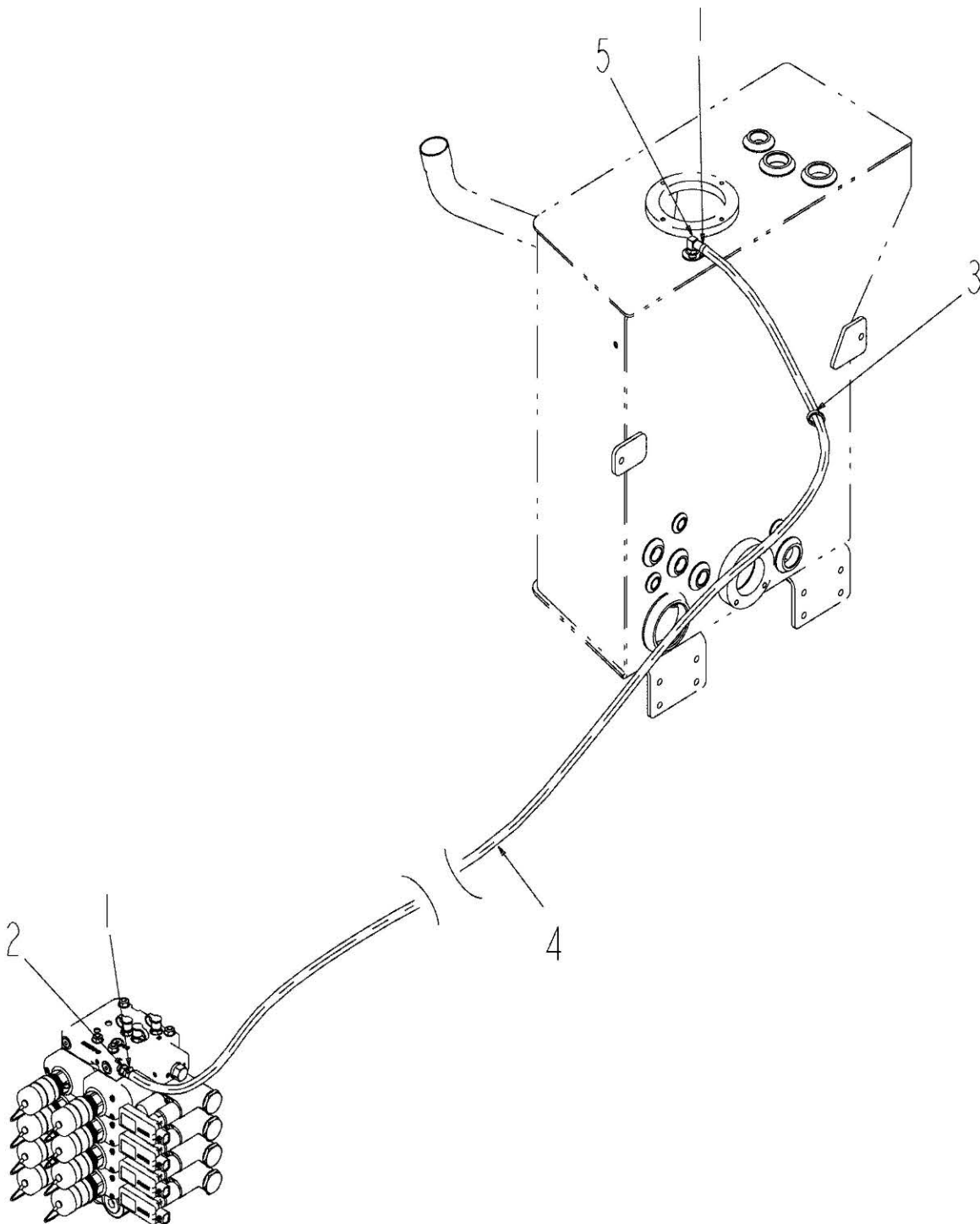
570981D1-2-



570981D1 - PUMP GROUP, 85CC

ITEM	PART NUMBER	QTY	DESCRIPTION COMMENTS	TECHNICAL SPECIFICATION
1	400041X1	2	HEXAGONAL HEAD BOLT	M12 X 1.75 X 30MM, CL10.9
2	400064X1	4	HEXAGONAL HEAD BOLT	M12 X 1.75MM X 35MM, CL10.9
3	400101X1	1	O-RING	126.6MM ID X 3.5MM
4	400381X1	4	FLAT WASHER	13.5MM X 30MM X 4MM
5	505637D1	1	HYDRAULIC PUMP SEE PAGE 08-0070	
	520624D1	1	SHAFT SEAL	
	520840D1	1	SEAL KIT	
6	520271D1	1	HYDRAULIC PUMP SEE PAGE 08-0071	
7	CH2H-3934	1	O-RING SEE PAGE 08-0071	98.02MM ID X 3.53MM

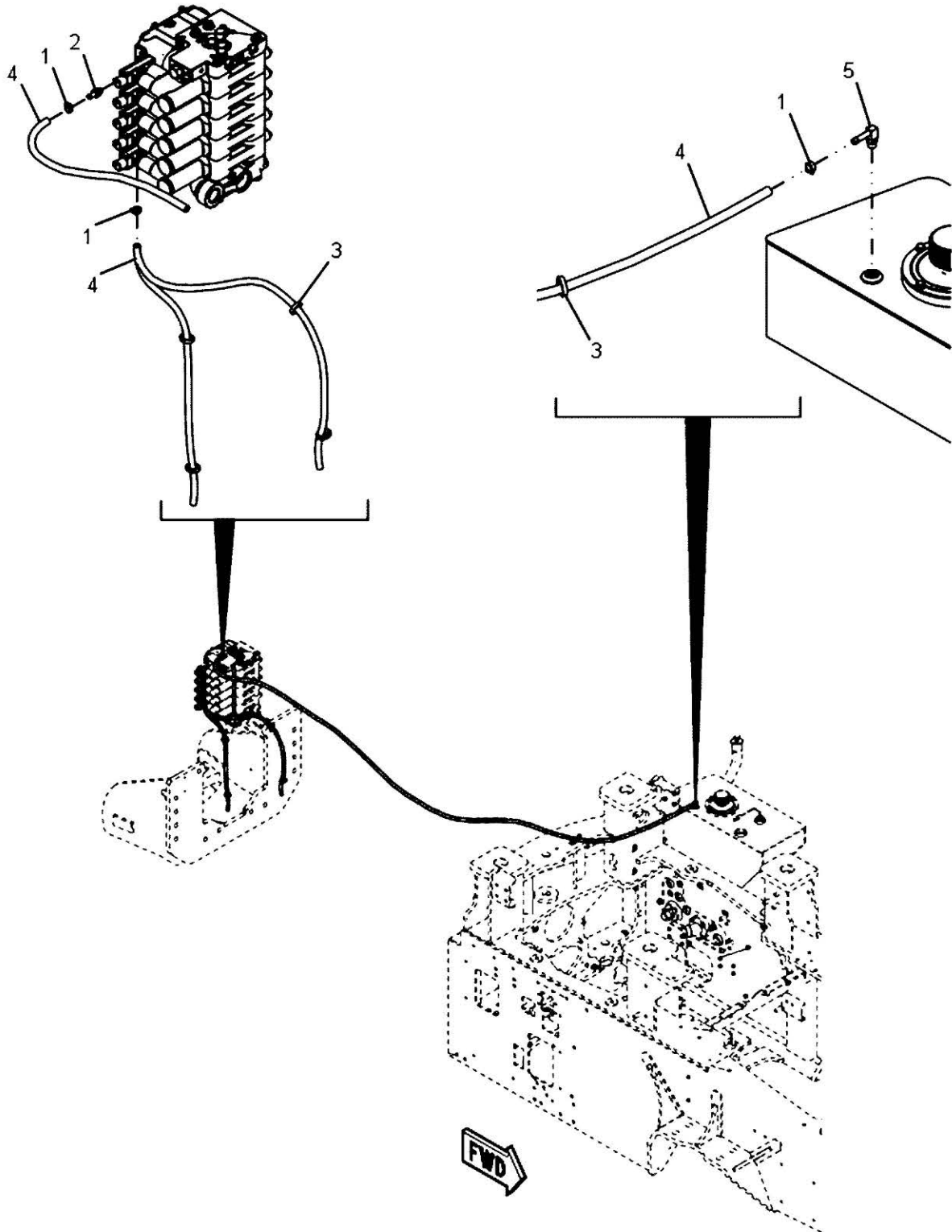
572492D1-2-AA756-



572492D1 - IMPLEMENT VALVE DRAIN LINES

ITEM	PART NUMBER	QTY	DESCRIPTION COMMENTS	TECHNICAL SPECIFICATION
1	AG561025	2	HOSE CLAMP	8MM-17MM, MINI
2	401786X1	1	CONNECTOR	6STOR X 9.52
	400318X1	1	O-RING	11.89MM ID X 1.98MM
3	402294X1	1	CABLE TIE	390MM X 7.6MM
4	CH5P-1442	-	BULK HIGH TEMPERATUR HOSE BULK: 3795 MM	9.52MM ID
5	CH5P-4924	1	ELBOW FITTING	90 DEGREE 6 STOR X 9.52 BARB
	400318X1	1	O-RING	11.89MM ID X 1.98MM

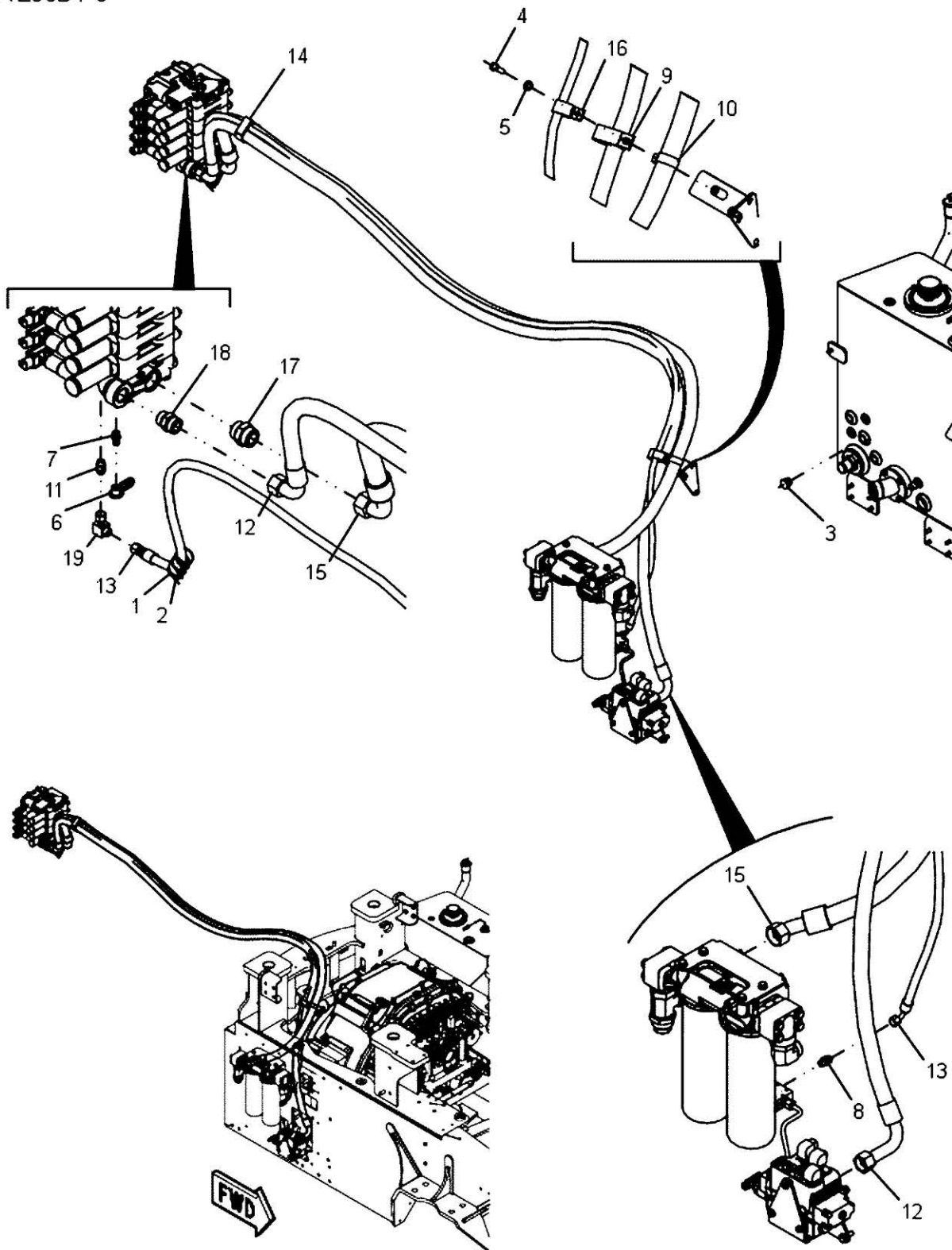
571287D1-2-



571287D1 - IMPLEMENT VALVE DRAIN LINES

ITEM	PART NUMBER	QTY	DESCRIPTION COMMENTS	TECHNICAL SPECIFICATION
1	AG561025	3	HOSE CLAMP	8MM-17MM, MINI
2	401786X1	1	CONNECTOR	6STOR X 9.52
	400318X1	1	O-RING	11.89MM ID X 1.98MM
3	402294X1	3	CABLE TIE	390MM X 7.6MM
4	CH5P-1442	-	BULK HIGH TEMPERATUR HOSE BULK:4697 MM	9.52MM ID
5	CH5P-4924	1	ELBOW FITTING	90 DEGREE 6 STOR X 9.52 BARB
	400318X1	1	O-RING	11.89MM ID X 1.98MM

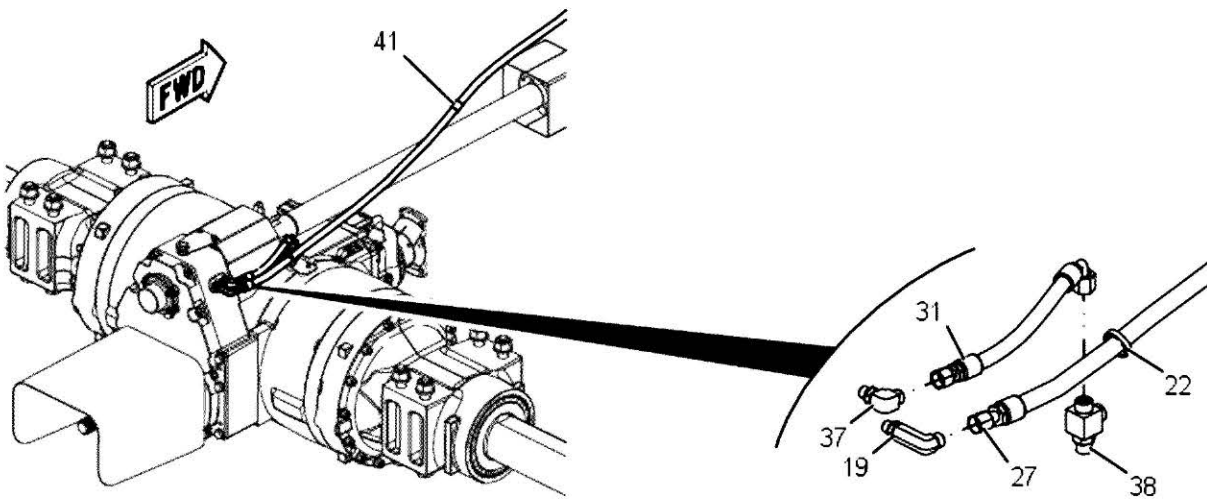
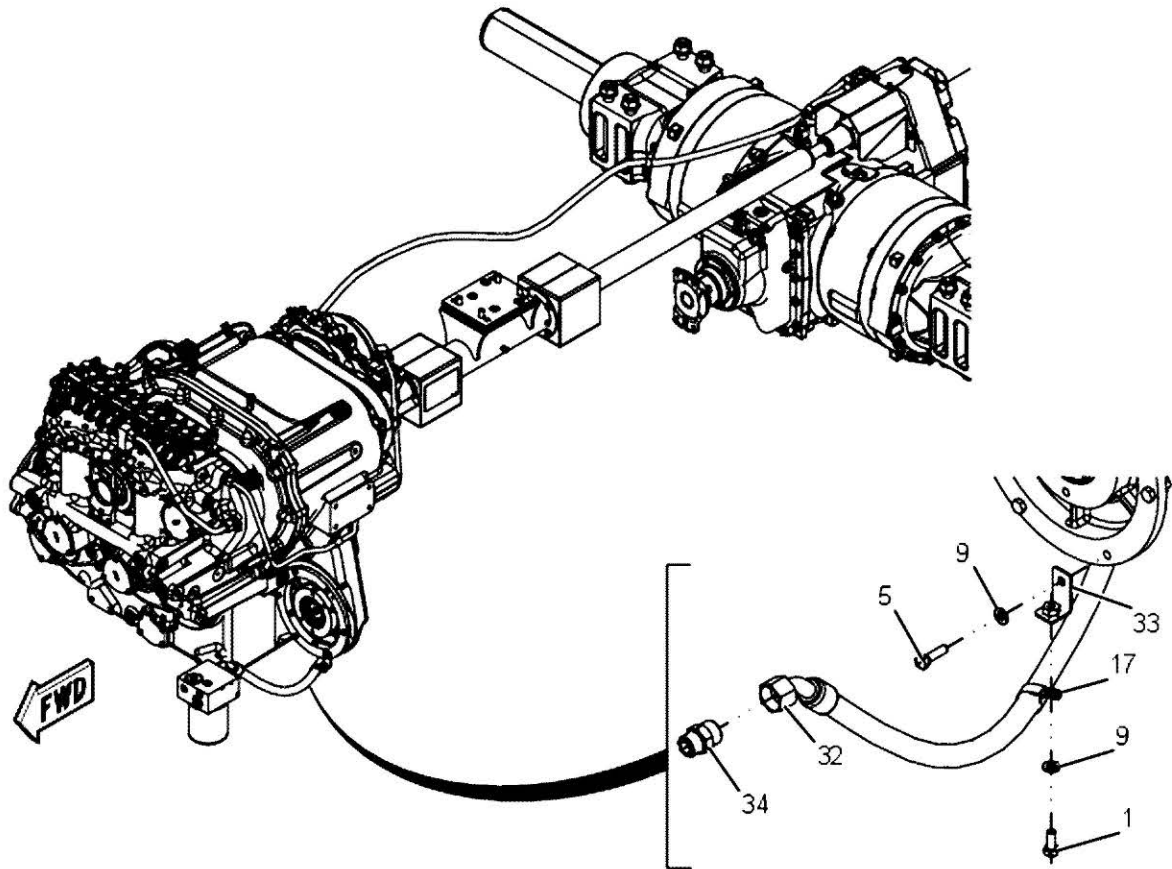
571286D1-3



571286D1 - IMPLEMENT LINES GROUP - VALVE

ITEM	PART NUMBER	QTY	DESCRIPTION COMMENTS	TECHNICAL SPECIFICATION
1	AG519862	1	HOSE PROTECTOR	4"
2	AG554278	3	CABLE TIE	11" X 1/16" X 3-1/16"
3	AG561879	1	HEX HEAD PLUG	2-5/32"-2-3/4", SS
4	400059X1	1	HEXAGONAL HEAD BOLT	M10 X 1.5 X 35MM, CL10.9
5	400287X1	1	FLAT WASHER	11MM X 21MM X 2.5MM
6	400323X1	1	DUST CAP	12.6MM OD
7	400324X1	1	QUICK COUPLER NIPPLE	9/16"-18, -6 STOR
	400318X1	1	O-RING	11.89MM ID X 1.98MM
8	400367X1	1	CONNECTOR FITTING	-6 STOR X -6 ORFS
	400378X1	1	O-RING	12.83MM OD X 1.78MM
	400318X1	1	O-RING	11.89MM ID X 1.98MM
9	400595X1	1	P-CLIP	38.1MM, DOUBLE
10	401412X1	1	P-CLIP	44.45MM ID
11	402894X1	1	ORIFICE	-6 ORFS X -6 STOR
	400318X1	1	O-RING	11.89MM ID X 1.98MM
	400378X1	1	O-RING	12.83MM OD X 1.78MM
12	523201D1	1	HOSE	
13	523203D1	1	HOSE	
14	523577D1	1	STRAP	
15	571288D1	1	RETURN HOSE	31.75MM X 3989MM
16	CH100-4336	1	P-CLIP	20.62MM ID, DOUBLE
17	CH148-8334	1	CONNECTOR	20 ORFS X 20 STOR
	400365X1	1	O-RING	33.57MM OD X 1.78MM
	400593X1	1	O-RING	37.46MM ID X 3MM
18	CH148-8335	0	CONNECTOR	16 STOR X 16 ORFS
	400123X1	1	O-RING	27.22MM OD X 1.78MM
	400376X1	1	O-RING	29.74MM ID X 2.95MM
19	CH148-8367	1	ELBOW FITTING	2X 11/16"-16
	400378X1	1	O-RING	12.83MM OD X 1.78MM

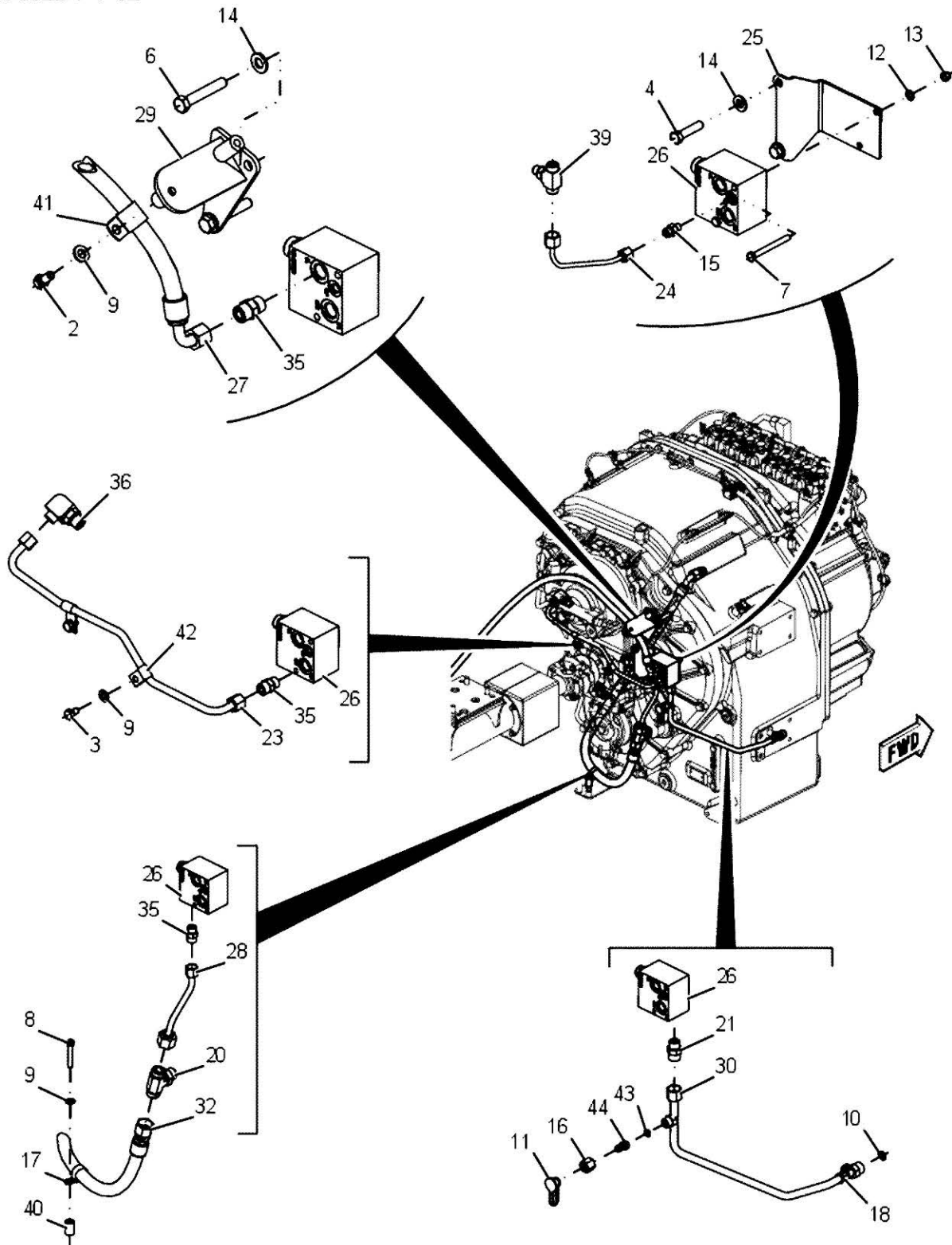
593662D1-1-01



593662D1 - IMPLEMENT LINES GROUP - PTO

ITEM	PART NUMBER	QTY	DESCRIPTION COMMENTS	TECHNICAL SPECIFICATION
1	400039X1	1	HEXAGONAL HEAD BOLT	M10 X 1.5 X 25MM, CL10.9
5	400059X1	1	HEXAGONAL HEAD BOLT	M10 X 1.5 X 35MM, CL10.9
9	400287X1	6	FLAT WASHER	11MM X 21MM X 2.5MM
17	400700X1	2	P-CLIP	28.58 ID
19	401293X1	1	ELBOW FITTING	3/8" ORFS X 3/8" STOR,90D
	400378X1	1	O-RING	12.83MM OD X 1.78MM
	400318X1	1	O-RING	11.89MM ID X 1.98MM
22	402294X1	1	CABLE TIE	390MM X 7.6MM
27	526727D1	1	HOSE	
31	574618D1	1	HYDRAULIC HOSE	10MM X 295MM
32	593641D1	1	HYDRAULIC HOSE	
33	593657D1	1	BRACKET	ASM
34	CH148-8327	1	ADAPTER FITTING	12 ORFS X 12 STOR, W/O-RINGS
	400416X1	1	O-RING	23.47MM ID X 2.95MM
	400366X1	1	O-RING	22.5MM OD X 1.78MM
37	CH148-8378	1	ELBOW FITTING	9/16"-18 X 11/16"-16
	400318X1	1	O-RING	11.89MM ID X 1.98MM
	400378X1	1	O-RING	12.83MM OD X 1.78MM
38	CH148-8428	1	TEE FITTING	06 ORFS
	CH3K-0360	1	O-RING	16.36MM ID X 2.21MM
	CH6V-8398	2	O-RING	16.03MM OD X 1.78MM
41	CH3S-8665	2	P-CLIP	22.2MM ID

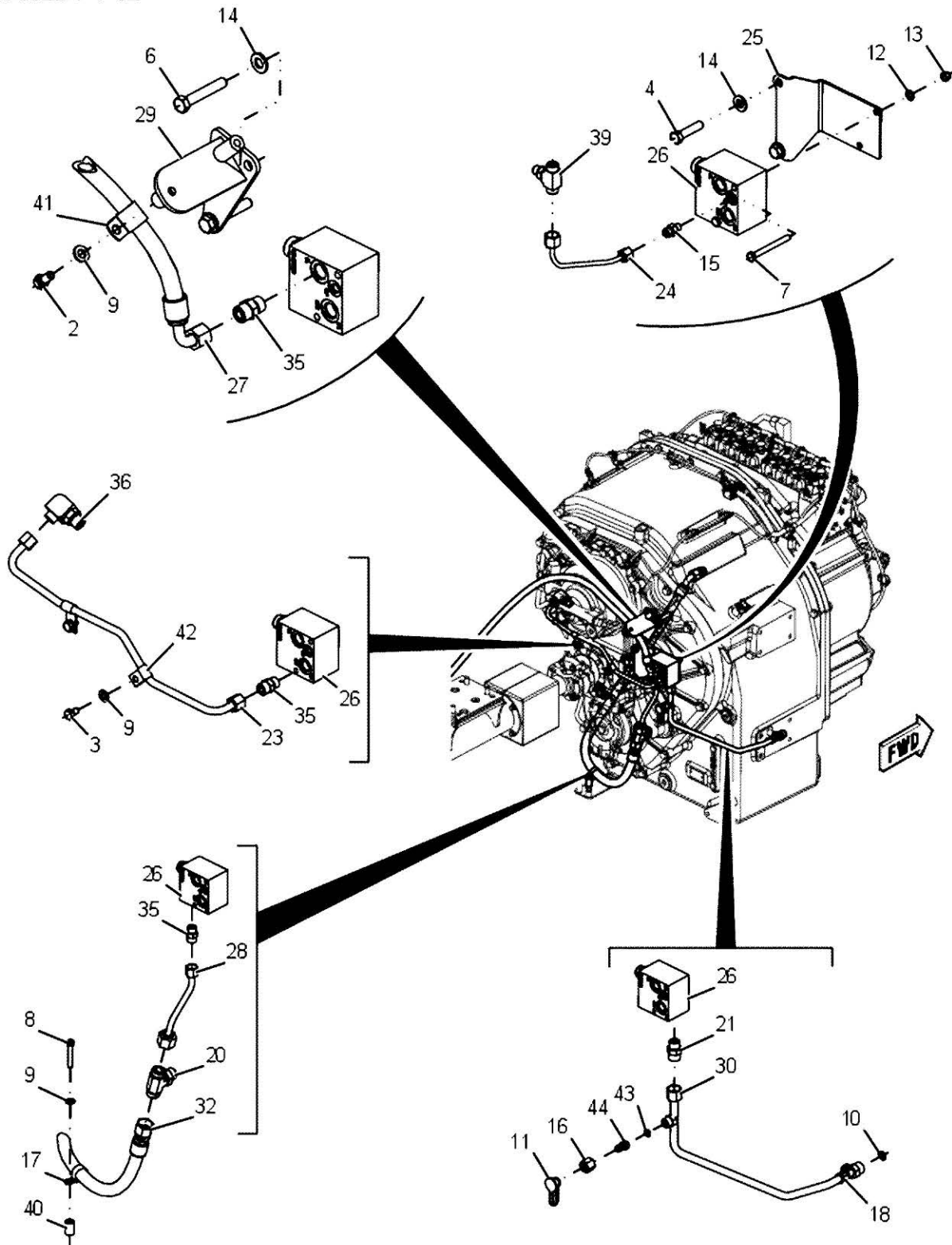
593662D1-1-02



593662D1 - IMPLEMENT LINES GROUP - PTO

ITEM	PART NUMBER	QTY	DESCRIPTION COMMENTS	TECHNICAL SPECIFICATION
2	400040X1	1	HEXAGONAL HEAD BOLT	M10 X 1.5 X 20MM, CL10.9
3	400054X1	2	HEXAGONAL HEAD BOLT	M10 X 1.5 X 16MM, CL10.9
4	400057X1	2	HEXAGONAL HEAD BOLT	M12 X 1.75 X 50MM, CL10.9
6	400062X1	2	HEXAGONAL HEAD BOLT	M12 X 1.75 X 70MM, CL10.9
7	400218X1	2	BOLT	M8 X 1.25 X 80MM, CL10.9
8	400239X1	1	HEXAGONAL HEAD BOLT	M10 X 1.5 X 60MM, CL10.9
9	400287X1	6	FLAT WASHER	11MM X 21MM X 2.5MM
10	400322X1	1	O-RING	19.28MM OD X 1.78MM
11	400323X1	1	DUST CAP	12.6MM OD
12	400339X1	2	FLAT WASHER	9MM X 16MM X 2MM
13	400340X1	2	HEX NUT	M8 X 1.25MM X 13MM
14	400357X1	4	FLAT WASHER	M12 X 25.5 X 3MM
15	400368X1	1	CONNECTOR	-4 STOR X -4 ORFS
	400377X1	1	O-RING	11.23MM OD X 1.78MM
	400361X1	1	O-RING	8.92MM ID X 1.83MM
16	400607X1	1	HEX NUT	13/16"-16, ORFS
17	400700X1	2	P-CLIP	28.58 ID
18	400702X1	1	P-CLIP	15.8MM ID
20	401303X1	1	TEE FITTING	
	400416X1	1	O-RING	23.47MM ID X 2.95MM
	400366X1	1	O-RING	22.5MM OD X 1.78MM
21	401403X1	1	ADAPTER FITTING	10 STOR X -10 ORFS
	400322X1	1	O-RING	19.28MM OD X 1.78MM
	400319X1	1	O-RING	19.18MM ID X 2.46MM
23	522340D1	1	TUBE	
24	522341D1	1	TUBE ASSY	
25	524399D1	1	BRACKET	
26	524509D1	1	VALVE PTO LUBE	
	524563D1	1	VALVE	
	524562D1	1	CONTROL VALVE	
	AG715207	1	SEAL KIT	
	AG716813	1	O-RING KIT	
27	526727D1	1	HOSE	
28	527979D1	1	TUBE	
29	535236D1	1	BRACKET	
30	574131D1	1	RETURN HOSE	12.58MM X 251MM
32	593641D1	1	HYDRAULIC HOSE	
35	CH148-8340	3	CONNECTOR	08 ORFS X 08 STOR
	CH6V-8398	1	O-RING	16.03MM OD X 1.78MM
	CH3K-0360	1	O-RING	16.36MM ID X 2.21MM
36	CH148-8372	1	ELBOW FITTING	-10 STOR X -8 ORFS
	400319X1	1	O-RING	19.18MM ID X 2.46MM
	CH6V-8398	1	O-RING	16.03MM OD X 1.78MM
39	CH148-8439	1	TEE FITTING	9/16"-18 X 2X 11/16"-16

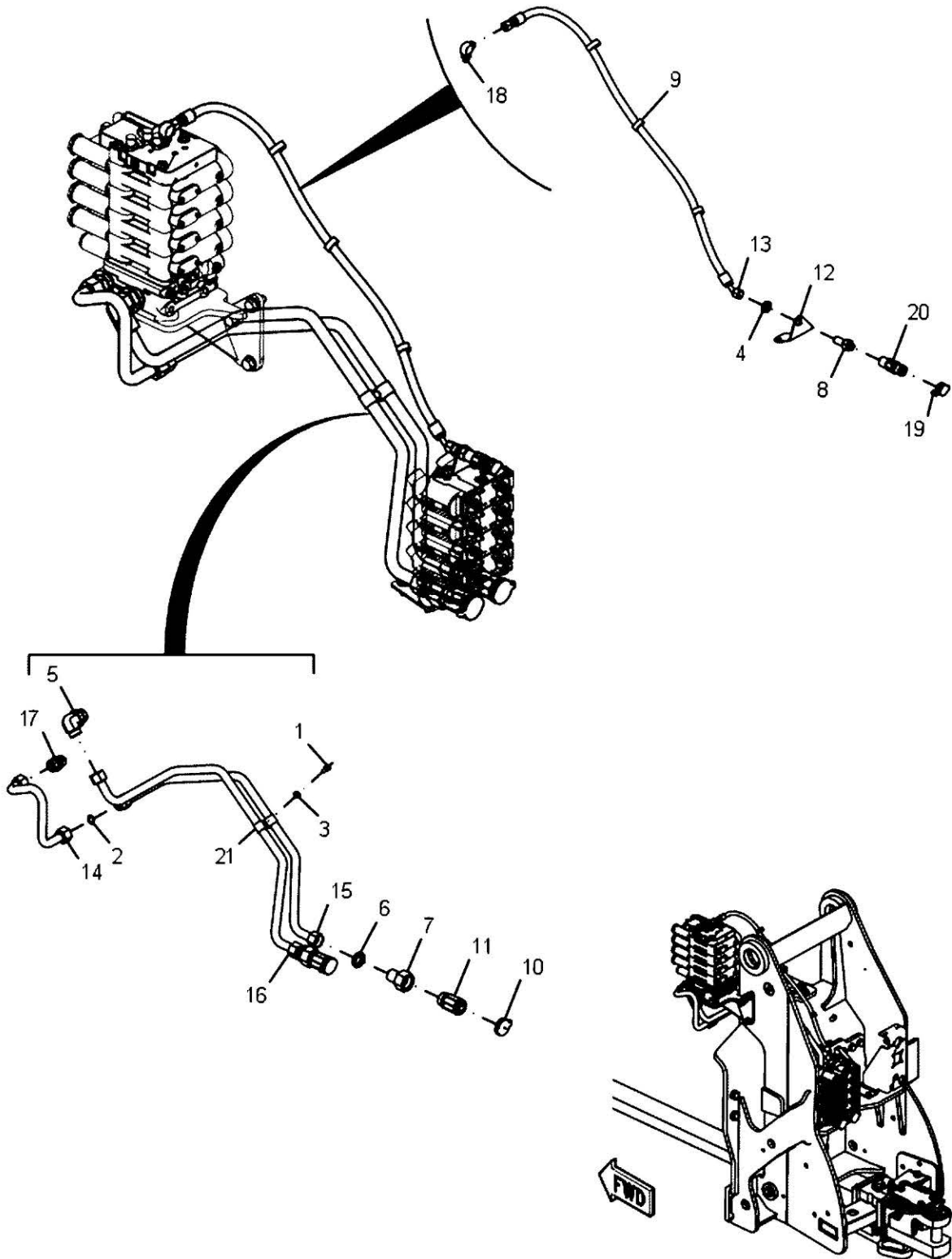
593662D1-1-02



593662D1 - IMPLEMENT LINES GROUP - PTO

ITEM	PART NUMBER	QTY	DESCRIPTION COMMENTS	TECHNICAL SPECIFICATION
	400318X1	1	O-RING	11.89MM ID X 1.98MM
	400378X1	2	O-RING	12.83MM OD X 1.78MM
40	CH213-9822	1	SPACER	11MM ID X 20MM OD X 31MM
41	CH3S-8665	2	P-CLIP	22.2MM ID
42	CH4D-9517	2	P-CLIP	12.7MM ID
43	CH6V-8398	1	O-RING	16.03MM OD X 1.78MM
44	CH8C-6416	1	QUICK COUPLER NIPPLE	-4 X O-RING

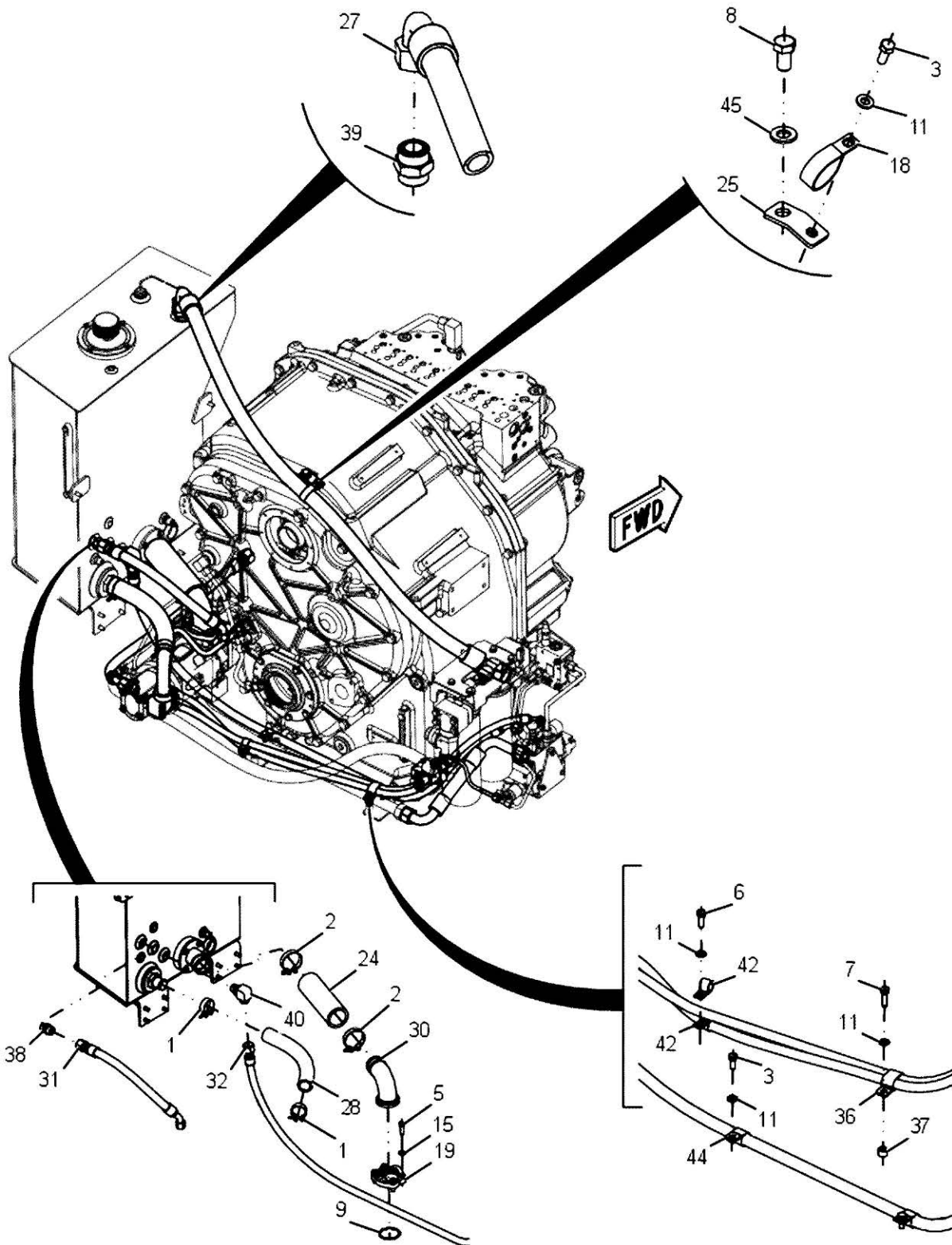
57774D1-1-



57774D1 - POWER BEYOND COUPLER INSTALLATION, NON CE - HITCH

ITEM	PART NUMBER	QTY	DESCRIPTION COMMENTS	TECHNICAL SPECIFICATION
1	400039X1	1	HEXAGONAL HEAD BOLT	M10 X 1.5 X 25MM, CL10.9
2	400123X1	1	O-RING	27.22MM OD X 1.78MM
3	400287X1	1	FLAT WASHER	11MM X 21MM X 2.5MM
4	400347X1	1	HEX NUT	11/16"-16
5	401290X1	1	ELBOW FITTING	20 ORFS (2), 90D
	400123X1	1	O-RING	27.22MM OD X 1.78MM
	400593X1	1	O-RING	37.46MM ID X 3MM
6	401322X1	2	HEX NUT	1-7/16"-12
7	401742X1	2	ADAPTER	-16 ORFS X -20 F STOR
	400123X1	1	O-RING	27.22MM OD X 1.78MM
8	401774X1	1	BULKHEAD	
	400318X1	1	O-RING	11.89MM ID X 1.98MM
	400378X1	1	O-RING	12.83MM OD X 1.78MM
9	402295X1	3	CABLE TIE	390MM X 12.7MM
10	501947D1	2	DUST PLUG	
11	502031D1	2	COUPLER	
12	526677D1	1	BRACKET	
13	526678D1	1	HOSE	
14	526679D1	1	TUBE	
15	530156D1	1	TUBE	AS-PWR BYND SUPPLY
16	530157D1	1	TUBE	AS-PWR BYND RETURN
17	CH148-8335	1	CONNECTOR	16 STOR X 16 ORFS
	400123X1	1	O-RING	27.22MM OD X 1.78MM
	400376X1	1	O-RING	29.74MM ID X 2.95MM
18	CH148-8378	1	ELBOW FITTING	9/16"-18 X 11/16"-16
	400318X1	1	O-RING	11.89MM ID X 1.98MM
	400378X1	1	O-RING	12.83MM OD X 1.78MM
19	CH159-5893	1	DUST CAP	
20	CH159-5897	1	COUPLER	
21	CH4S-1962	2	P-CLIP	25.4MM ID

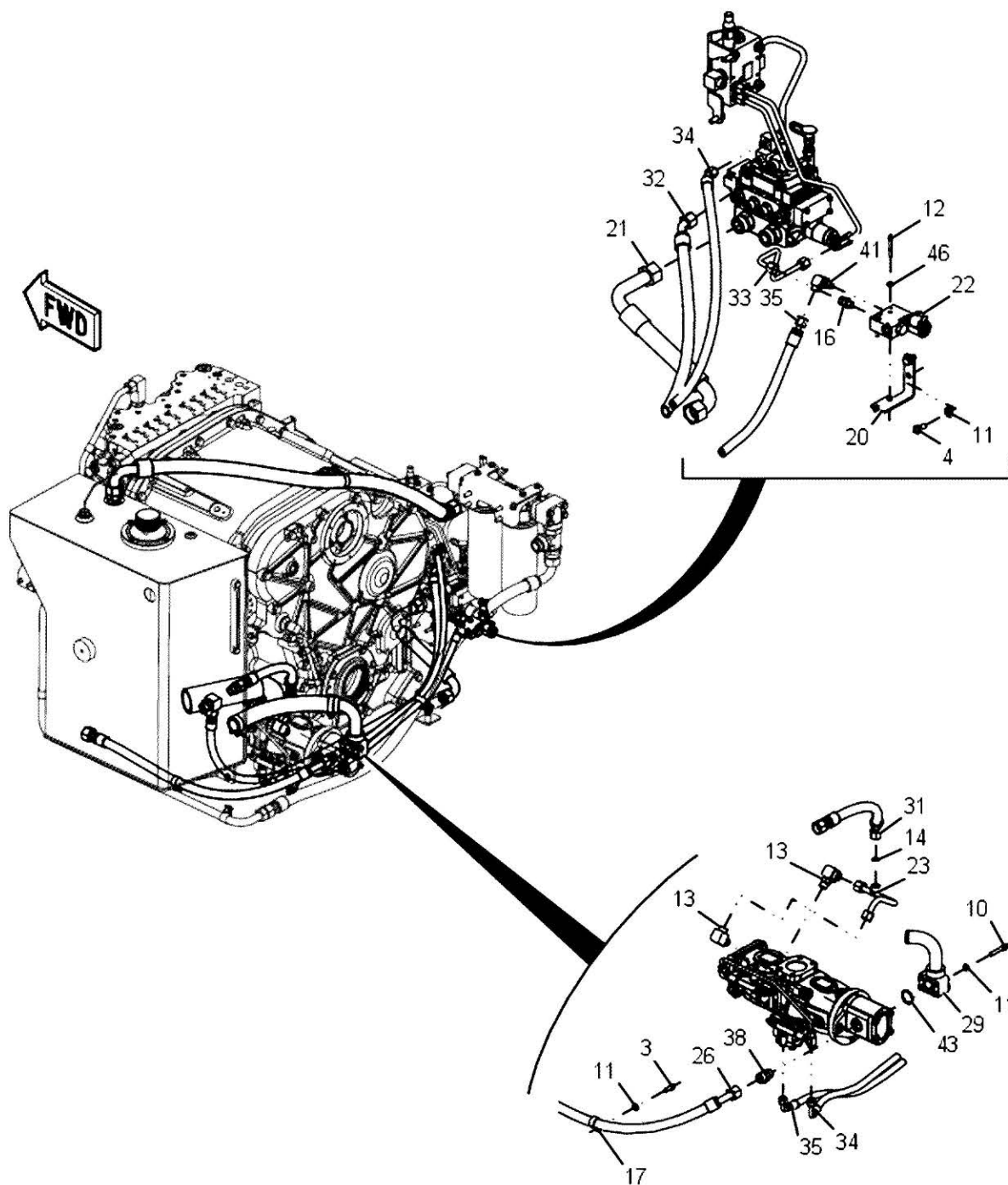
581962D1-1-01



581962D1 - IMPLEMENT PUMP ASSEMBLY - LINES

ITEM	PART NUMBER	QTY	DESCRIPTION COMMENTS	TECHNICAL SPECIFICATION
1	AG561241	2	HOSE CLAMP	1.91"-2.22", SS
2	AG561243	2	HOSE CLAMP	2-7/8"-3-3/16", SS
3	400039X1	4	HEXAGONAL HEAD BOLT	M10 X 1.5 X 25MM, CL10.9
5	400050X1	4	HEXAGONAL HEAD BOLT	M12 X 1.75 X 40MM, CL10.9
6	400058X1	1	HEXAGONAL HEAD BOLT	M10 X 1.5 X 30MM
7	400059X1	1	HEXAGONAL HEAD BOLT	M10 X 1.5 X 35MM, CL10.9
8	400088X1	1	HEXAGONAL HEAD BOLT	M16 X 2 X 30MM, CL9
9	400102X1	1	O-RING SEAL	69.4MM X 3.53MM
11	400287X1	12	FLAT WASHER	11MM X 21MM X 2.5MM
15	400357X1	4	FLAT WASHER	M12 X 25.5 X 3MM
18	401412X1	2	P-CLIP	44.45MM ID
19	402041X1	2	FLANGE	
24	552991D1	1	SUCTION HOSE	63.5MM X 260MM
25	557088D1	1	BRACKET	
27	561153D1	1	RETURN HOSE	31.75MM X 1717MM
28	562784D1	1	CHARGE HOSE	38.1MM X 401MM
30	566323D1	1	INLET	
31	566402D1	1	DRAIN HOSE	19.05MM X 508MM
32	566408D1	1	RETURN HOSE	15.9MM X 1777MM
36	CH100-4336	1	P-CLIP	20.62MM ID, DOUBLE
37	CH148-7017	1	SPACER	10.2MM ID X 19.05MM OD X 13MM
38	CH148-8327	2	ADAPTER FITTING	12 ORFS X 12 STOR, W/O-RINGS
	400366X1	1	O-RING	22.5MM OD X 1.78MM
	400416X1	1	O-RING	23.47MM ID X 2.95MM
39	CH148-8334	1	CONNECTOR	20 ORFS X 20 STOR
	400365X1	1	O-RING	33.57MM OD X 1.78MM
	400593X1	1	O-RING	37.46MM ID X 3MM
40	CH148-8347	1	ELBOW FITTING	1-1/16"-12 X 1-3/16"-12
	400366X1	1	O-RING	22.5MM OD X 1.78MM
	400416X1	1	O-RING	23.47MM ID X 2.95MM
42	CH1S-0994	2	CLIP	20.64MM ID
44	CH4S-1962	2	P-CLIP	25.4MM ID
45	CH8T-4122	1	FLAT WASHER	17MM X 32MM X 3.5MM

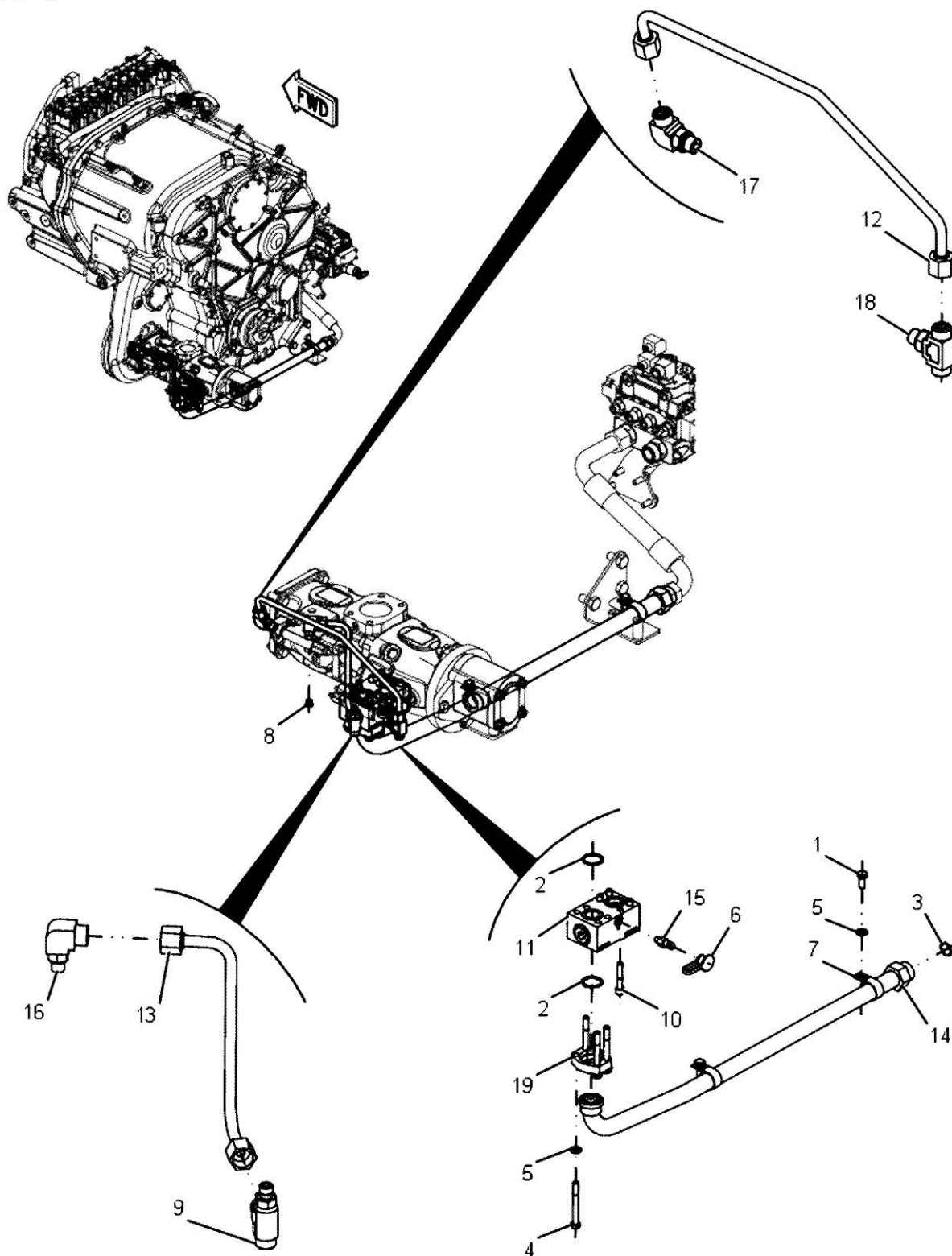
581962D1-1-02



581962D1 - IMPLEMENT PUMP ASSEMBLY - LINES

ITEM	PART NUMBER	QTY	DESCRIPTION COMMENTS	TECHNICAL SPECIFICATION
3	400039X1	4	HEXAGONAL HEAD BOLT	M10 X 1.5 X 25MM, CL10.9
4	400040X1	2	HEXAGONAL HEAD BOLT	M10 X 1.5 X 20MM, CL10.9
10	400239X1	4	HEXAGONAL HEAD BOLT	M10 X 1.5 X 60MM, CL10.9
11	400287X1	12	FLAT WASHER	11MM X 21MM X 2.5MM
12	400307X1	2	HEXAGONAL HEAD BOLT	M6 X 1.0 X 45MM
13	400320X1	2	ELBOW	-10PORT X -10 ORFS
	400319X1	1	O-RING	19.18MM ID X 2.46MM
	400322X1	1	O-RING	19.28MM OD X 1.78MM
14	400322X1	1	O-RING	19.28MM OD X 1.78MM
16	400367X1	1	CONNECTOR FITTING	-6 STOR X -6 ORFS
	400318X1	1	O-RING	11.89MM ID X 1.98MM
	400378X1	1	O-RING	12.83MM OD X 1.78MM
17	400700X1	1	P-CLIP	28.58 ID
20	513147D1	1	BRACKET	
21	513678D1	1	HOSE	
22	523899D1	1	DISTRIBUTOR	
23	533034D1	1	DRAIN HOSE	12.58MM X 155MM
26	560889D1	1	CHARGE HOSE	19.04MM X 976MM
29	566321D1	1	INLET	
31	566402D1	1	DRAIN HOSE	19.05MM X 508MM
32	566408D1	1	RETURN HOSE	15.9MM X 1777MM
33	566506D1	1	HOSE	7.04MM X 177.7MM
34	581964D1	1	HOSE ASSY	
35	581965D1	1	HOSE ASSY	
38	CH148-8327	2	ADAPTER FITTING	12 ORFS X 12 STOR, W/O-RINGS
	400366X1	1	O-RING	22.5MM OD X 1.78MM
	400416X1	1	O-RING	23.47MM ID X 2.95MM
41	CH148-8378	1	ELBOW FITTING	9/16"-18 X 11/16"-16
	400318X1	1	O-RING	11.89MM ID X 1.98MM
	400378X1	1	O-RING	12.83MM OD X 1.78MM
43	CH4J-0522	1	O-RING	37.69MM ID X 3.53MM
46	CH8T-4205	2	FLAT WASHER	7.2MM X 14.5MM X 2MM

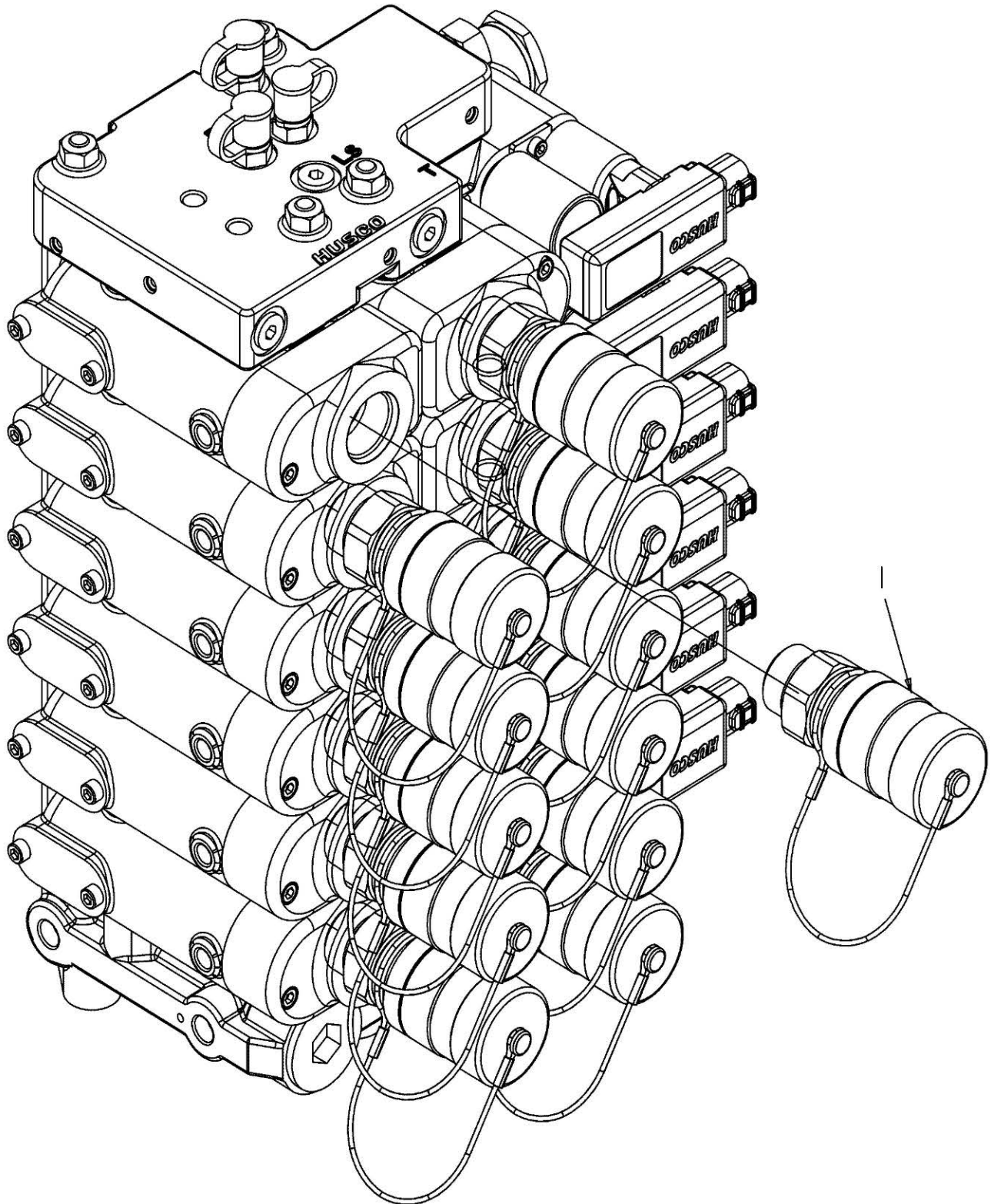
581963D1-1-



581962D1 - IMPLEMENT PUMP ASSEMBLY - LINES

ITEM	PART NUMBER	QTY	DESCRIPTION COMMENTS	TECHNICAL SPECIFICATION
1	400039X1	2	HEXAGONAL HEAD BOLT	M10 X 1.5 X 25MM, CL10.9
2	400100X1	3	O-RING	32.92MM ID X 3.53MM
3	400123X1	1	O-RING	27.22MM OD X 1.78MM
4	400225X1	4	HEXAGONAL HEAD BOLT	M10 X 1.5 X 90MM, CL10.9
5	400287X1	6	FLAT WASHER	11MM X 21MM X 2.5MM
6	400323X1	1	DUST CAP	12.6MM OD
7	400597X1	2	P-CLIP	31.75MM ID, M10 OR 3/8"
8	400947X1	1	HEX PLUG	7/16-20
9	401297X1	1	TEE FITTING	1/4" STOR X 3/8" ORB
	400361X1	1	O-RING	8.92MM ID X 1.83MM
	400378X1	2	O-RING	12.83MM OD X 1.78MM
10	402152X1	4	HEX SOCKET HEAD BOLT	M10 X 1.5 X 55MM, CL 12.9
11	538954D1	1	VALVE BLOCK SEE PAGE 08-0075 IMPLEMENT	
12	566532D1	1	SUPPLY HOSE	7.04MM X 359.4MM
13	570526D1	1	TUBE	7.04MM X 178,8MM
14	572756D1	1	TUBE	25.65MM X 826MM
15	CH110-6349	1	GREASE FITTING	7/16"-20, -4 STOR
16	CH148-8361	1	ELBOW FITTING	-4 STOR X -6 ORFS
	400361X1	1	O-RING	8.92MM ID X 1.83MM
	400378X1	1	O-RING	12.83MM OD X 1.78MM
17	CH148-8378	1	ELBOW FITTING	9/16"-18 X 11/16"-16
	400378X1	1	O-RING	12.83MM OD X 1.78MM
	400318X1	1	O-RING	11.89MM ID X 1.98MM
18	CH148-8439	1	TEE FITTING	9/16"-18 X 2X 11/16"-16
	400378X1	2	O-RING	12.83MM OD X 1.78MM
	400318X1	1	O-RING	11.89MM ID X 1.98MM
19	CH8C-3206	2	FLANGE	

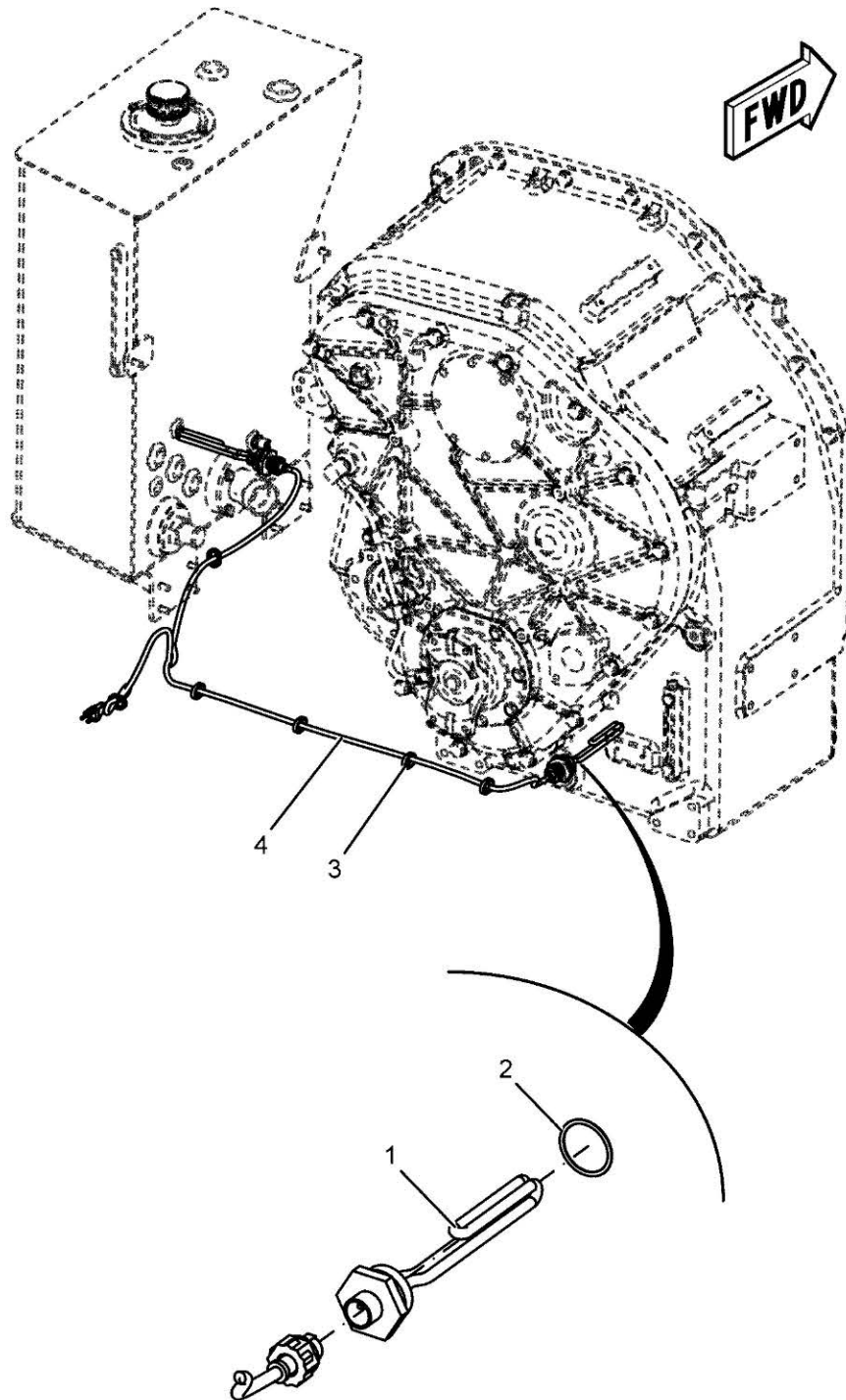
546608D1--2-AA243



546608D1 - HIGH FLOW 6 VALVE THREADED COUPLER GROUP

ITEM	PART NUMBER	QTY	DESCRIPTION COMMENTS	TECHNICAL SPECIFICATION
1	569518D1	12	MALE COUPLER SEE PAGE 08-0069	M45X3 MALE THD 3/4 BODY

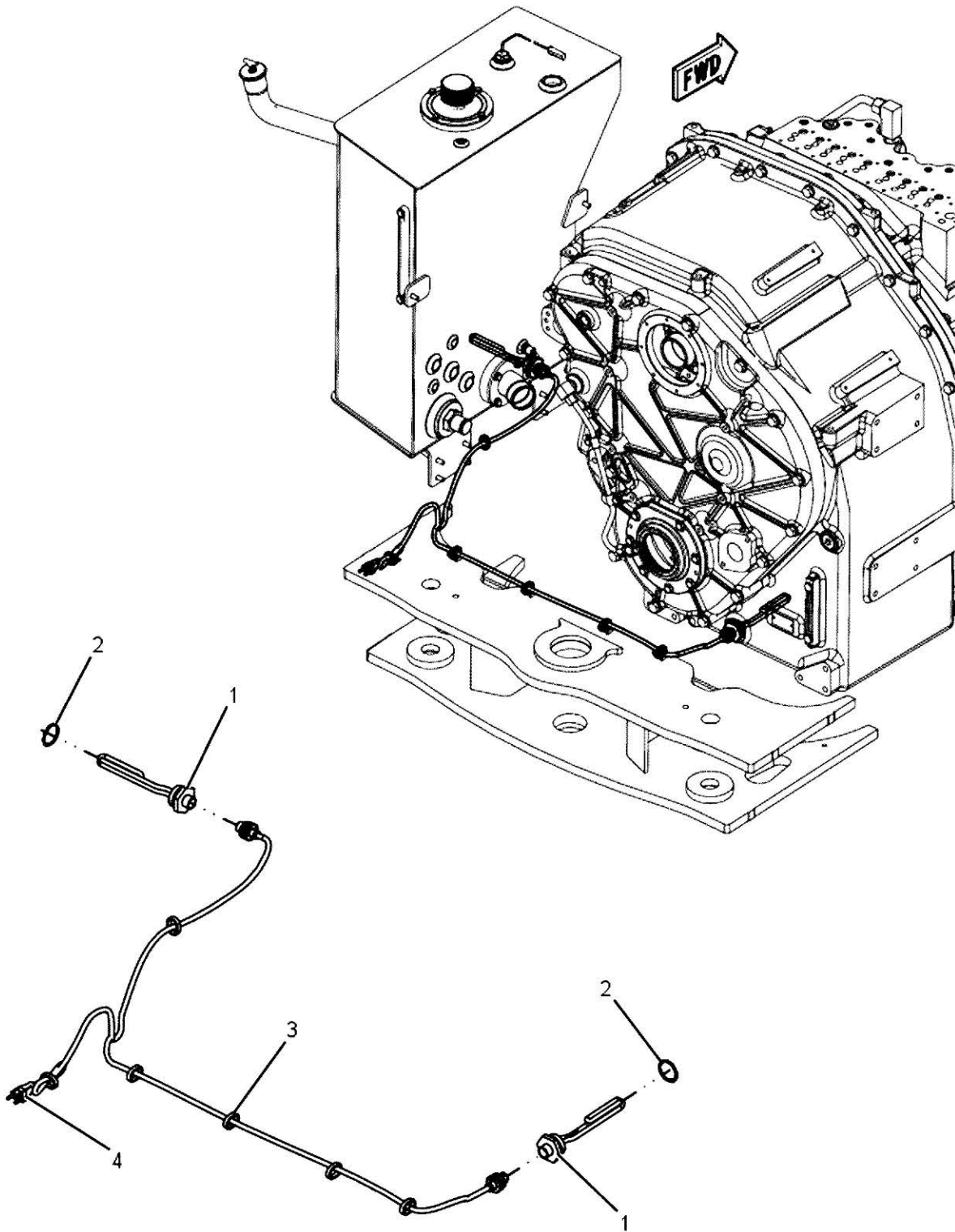
553812D1-3-AA756-



553812D1 - HYDRAULIC HEATER GROUP, 120 VOLTS

ITEM	PART NUMBER	QTY	DESCRIPTION COMMENTS	TECHNICAL SPECIFICATION
1	205-8771	2	HEATER ELEMENT 120 VOLT	120V
2	400593X1	2	O-RING	37.46MM ID X 3MM
3	402294X1	6	CABLE TIE	390MM X 7.6MM
4	512234D1	1	HARNESS	

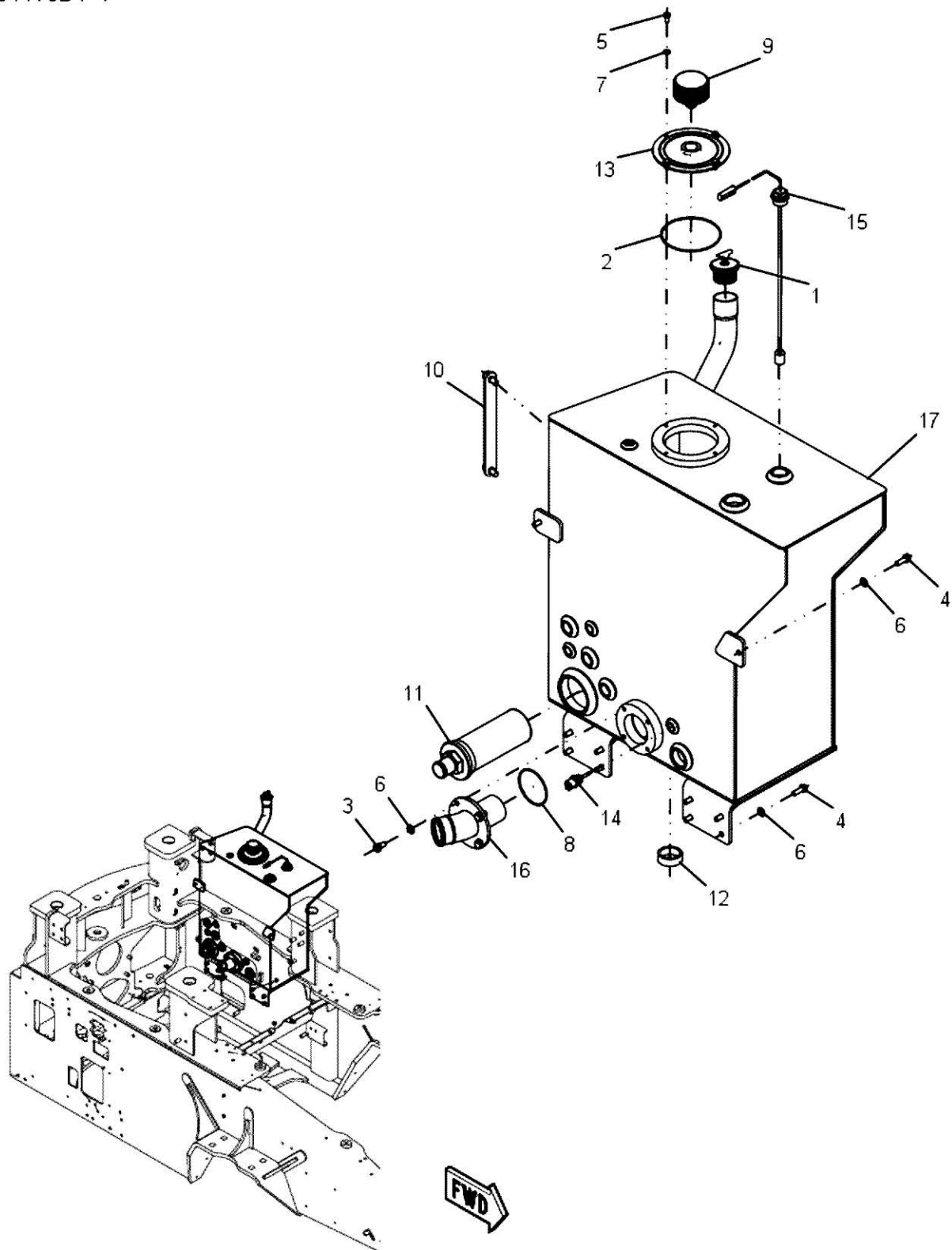
553813D1-2



553813D1 - HYDRAULIC HEATER GROUP, 240 VOLTS

ITEM	PART NUMBER	QTY	DESCRIPTION COMMENTS	TECHNICAL SPECIFICATION
1	205-8772	2	HEATER ELEMENT 240 VOLT	240 V
2	400593X1	2	O-RING	37.46MM ID X 3MM
3	402294X1	6	CABLE TIE	390MM X 7.6MM
4	512235D1	1	HARNESS	

564116D1-4



564116D1 - HYDRAULIC TANK GROUP

ITEM	PART NUMBER	QTY	DESCRIPTION COMMENTS	TECHNICAL SPECIFICATION
1	159-1236	1	BREATHER CAP	50.8MM OD
2	AG121777	1	O-RING	
3	400040X1	4	HEXAGONAL HEAD BOLT	M10 X 1.5 X 20MM, CL10.9
4	400058X1	10	HEXAGONAL HEAD BOLT	M10 X 1.5 X 30MM
5	400227X1	4	HEXAGONAL HEAD BOLT	M8X1.25 THD X 16 10.9
6	400287X1	14	FLAT WASHER	11MM X 21MM X 2.5MM
7	400339X1	4	FLAT WASHER	9MM X 16MM X 2MM
8	401796X1	1	O-RING SEAL	85.32MM X 3.53MM
9	506678D1	1	BREATHER VENT	
10	507901D1	1	SIGHT GAUGE	
11	516894D1	1	STRAINER	
12	517131D1	2	MAGNET	
13	518625D1	1	TANK COVER	
14	532767D1	1	TEMPERATURE SENSOR THERMISTOR	
	CH3K-0360	1	O-RING NEEDED FOR INSTALLATION OF TEMP SENSOR 532767D1. NOT SHOWN	16.36MM ID X 2.21MM
15	539112D2	1	HYDRAULIC LEVEL SWITCH	
	400376X1	1	O-RING	29.74MM ID X 2.95MM
16	559229D1	1	HYDRAULIC TUBE	
17	564117D1	1	HYDRAULIC TANK	